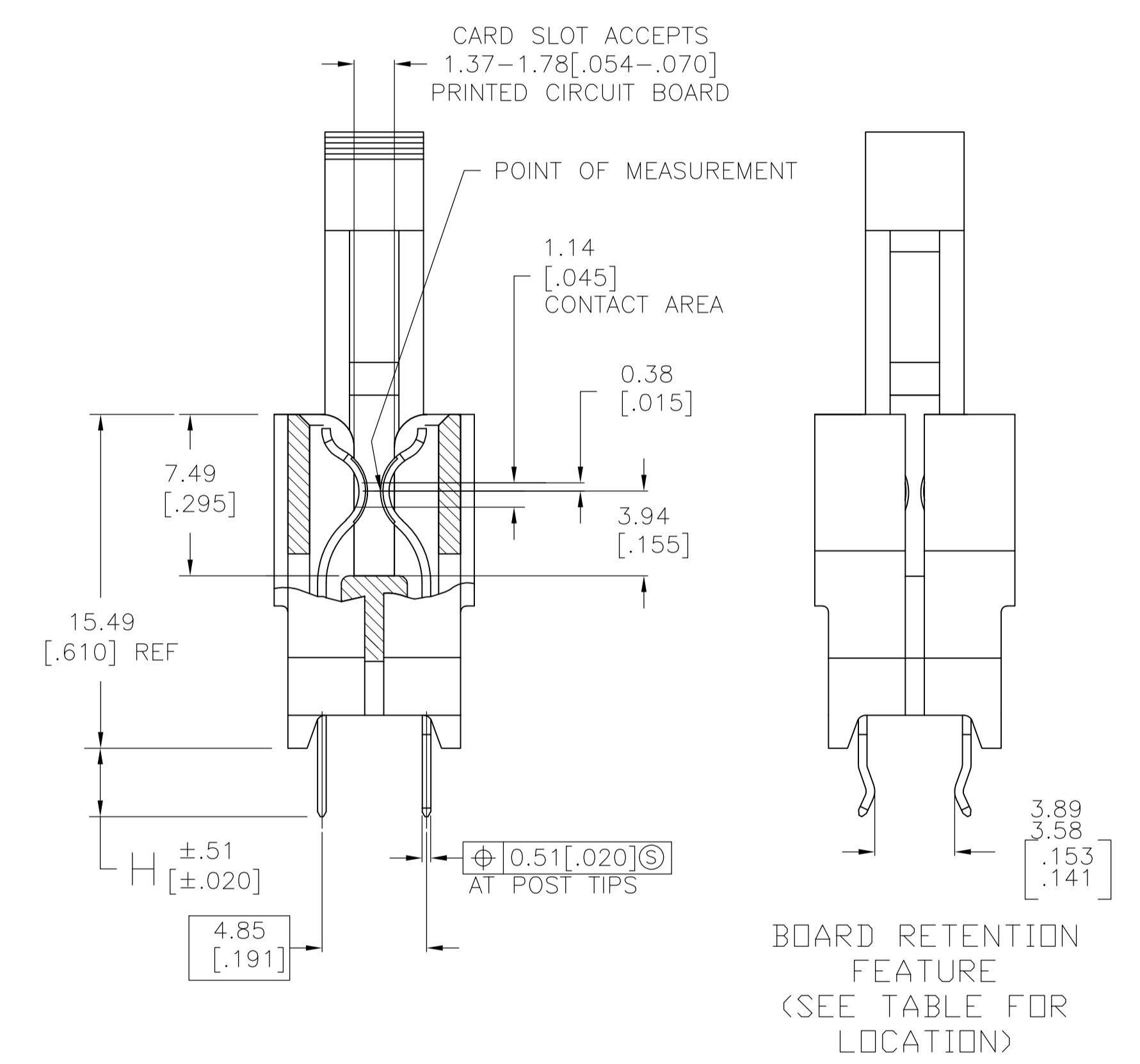


- MATERIAL:
HOUSING: GLASS FILLED POLYESTER; COLOR: BLACK.
CONTACT: HIGH CONDUCTIVITY COPPER ALLOY
LATCH: GLASS FILLED POLYESTER, COLOR: (SEE TABLE)
- FINISH:
0.00038[.000015] GOLD PLATE IN CONTACT AREA,
0.00254[.000100] MIN TIN-LEAD ON SOLDER POSTS, ALL
OVER 0.00127[.000050] MIN NICKEL
- AMP LOGO, TE PART NUMBER, DATE CODE AND CSA LOGO INK
STAMPED WHITE (HOT STAMPED OR LAZER PRINTED) IN THE APPROXIMATE
AREA SHOWN, EITHER SIDE PERMISSABLE, WHEN HOUSING SIZE PERMITS
- DATUMS AND BASIC DIMENSIONS ESTABLISHED BY CUSTOMER
- CONNECTORS SHOWN ARE USED IN APPLICATIONS WITH VRM MODULES WEIGHING
3 OUNCES OR LESS. ALTERNATE CONNECTOR AND LATCH METHOD IS AVAILABLE FOR
VRM MODULES WEIGHING UP TO 6 OUNCES.
- CAUTION:** LATCHES ARE INTENDED FOR RETENTION OF PC BOARD TO CONNECTOR.
DO NOT ATTEMPT TO FULLY EJECT PC BOARD FROM CONNECTOR WHILE DISENGAGING
LATCHES. DAMAGE TO LATCHES AND OR CONNECTOR MAY OCCUR
- OBsolete PARTS: OBSOLETE CIS STREAMLINING PER D.RENAUD/D.SINISI



(N2) PART IN SHEET 2

(OBSOLETE)

WHITE	4.70 [.185]	-	-	-	-	2,3, 29,30, 33,34, 60,61	NONE	NONE	-	31	1489930-7
WHITE	4.75 [.187]	-	-	-	-	2,3, 29,30, 33,34, 60,61	NONE	NONE	-	31	1489930-6
WHITE	3.18 [.125]	26.49 [1.043]	24.13 [.950]	-	-	2,3, 29,30, 33,34, 60,61	10,11	57	10.0 +12v	31	1489930-5
WHITE	3.18 [.125]	-	-	-	-	2,3, 29,30, 33,34, 60,61	NONE	NONE	-	31	1489930-4
WHITE	3.18 [.125]	23.95 [.943]	21.59 [.850]	8.71 [.343]	6.35 [.250]	2,3, 29,30, 33,34, 60,61	3,4 & 9,10	57	-	31	1489930-3
BLACK	3.18 [.125]	26.49 [1.043]	24.13 [.950]	-	-	2,3, 29,30, 33,34, 60,61	10,11	57	10.0 +12v	31	1489930-2
BLACK	3.18 [.125]	26.49 [1.043]	24.13 [.950]	13.79 [.543]	11.43 [.450]	2,3, 29,30, 33,34, 60,61	5,6 & 10,11	57	10.1 +12v	31	1489930-1
LATCH COLOR	H	E	D	B	A	RETENTION LOCATION	MOLDED-IN KEYING FEATURE	OMITTED PIN	VRM TYPE	NO OF DUAL POSN	PART NUMBER

THIS DRAWING IS A CONTROLLED DOCUMENT. DWG: AWF/LA.MAYER 01APR2008, CHK: A.W.FRANTUM 01APR2008, APD: S.FLICKINGER 01APR2008, NAME: S.FLICKINGER

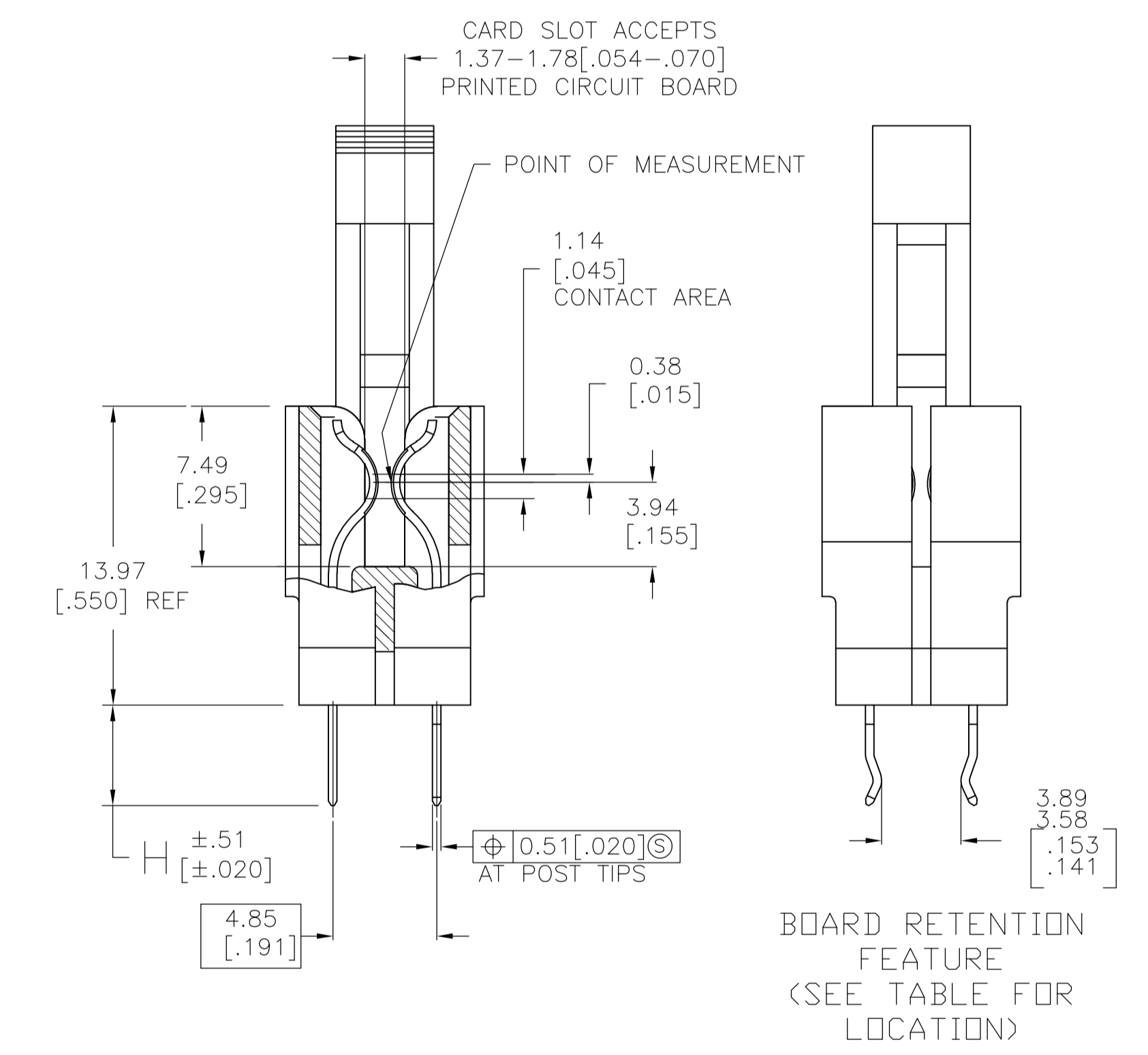
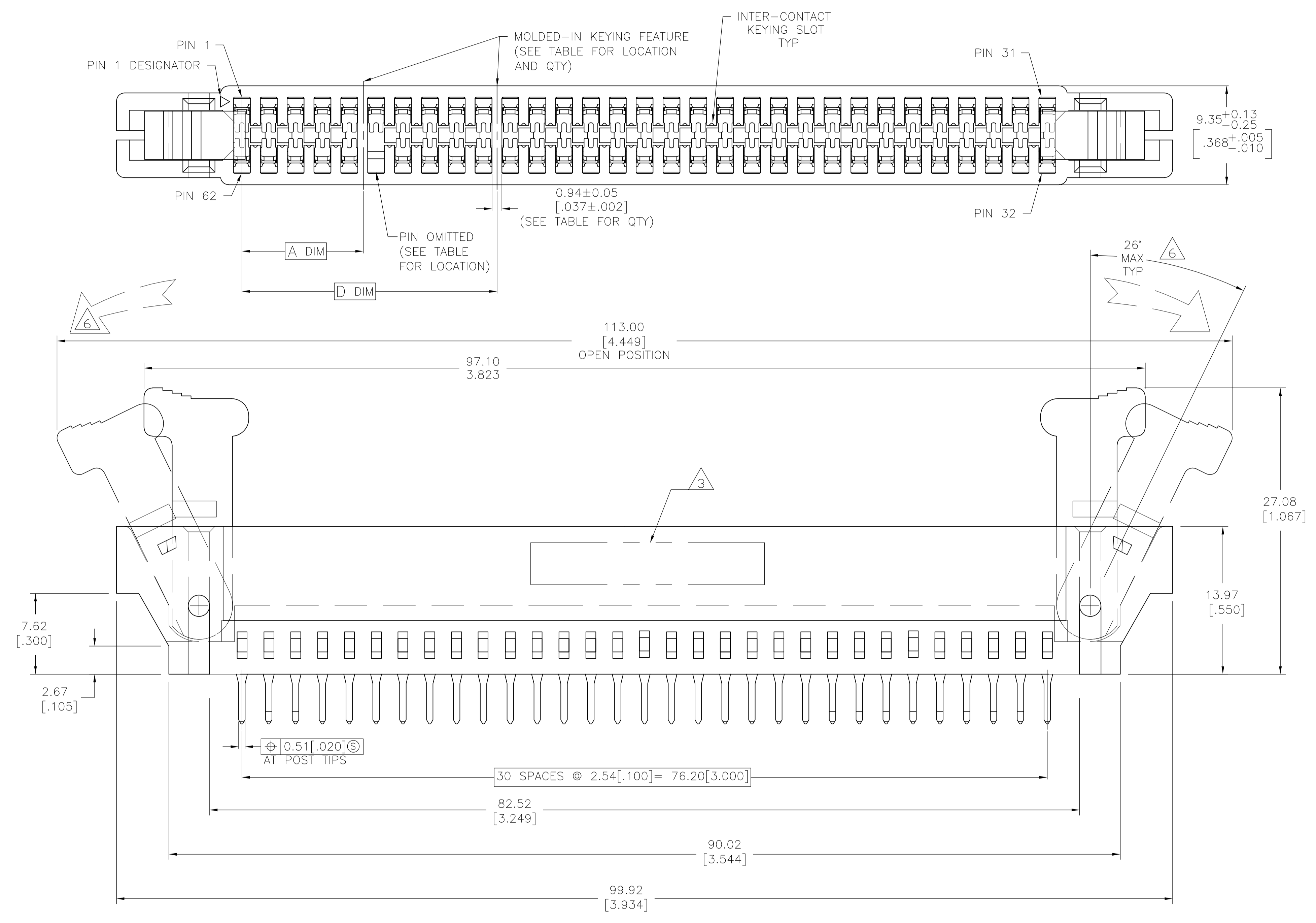
TE Connectivity

CONNECTOR ASSEMBLY
HIGH CURRENT CARD EDGE
DUAL POSITION, 2.54 [1.100] CENTERLINE

108-2148
114-13018

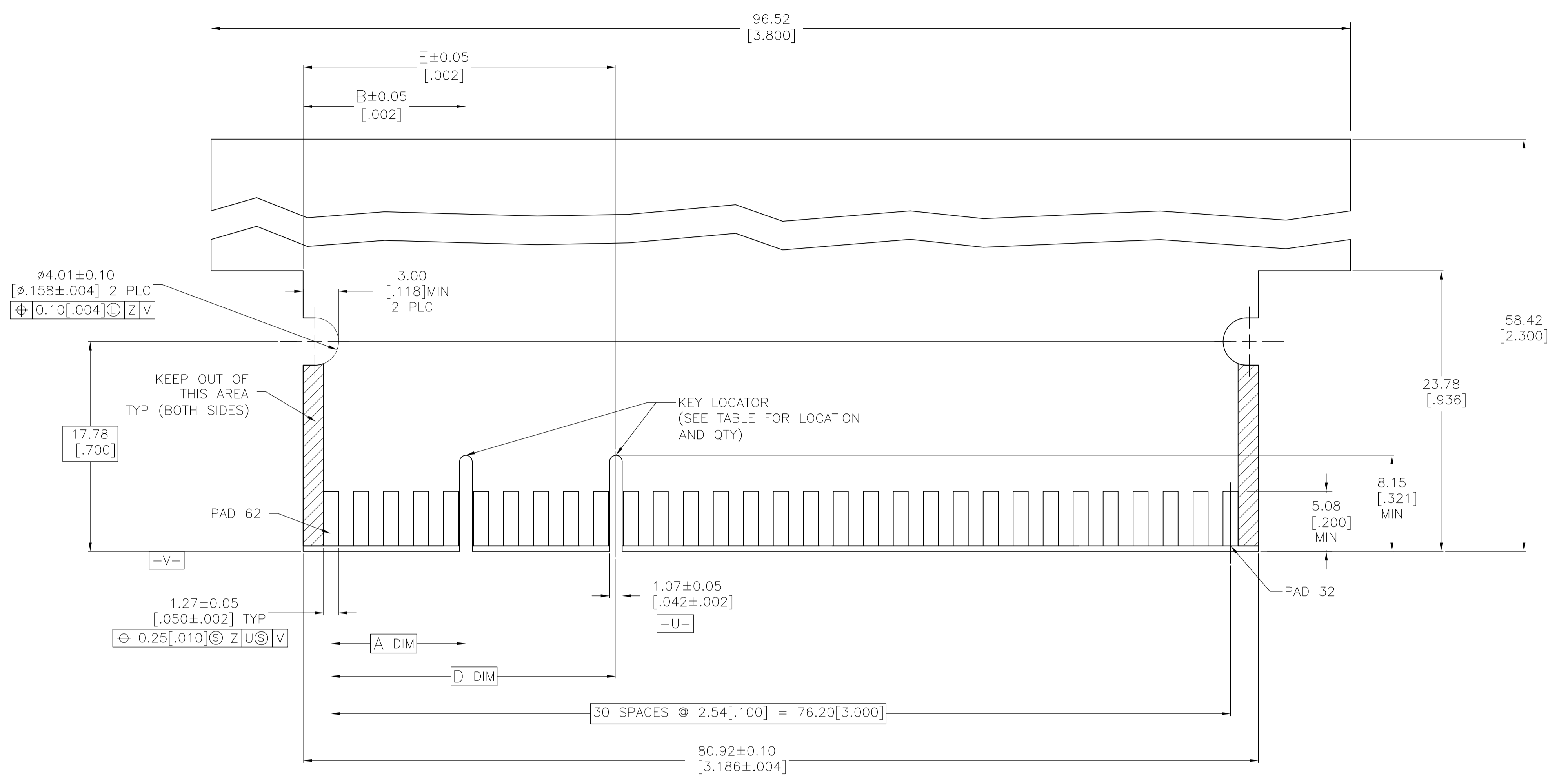
SIZE: A1, CAGE CODE: 00779, DRAWING NO: 1489930, RESTRICTED TO: -

CUSTOMER DRAWING, SCALE: 5:1, SHEET: 1 OF 3, REV: N2

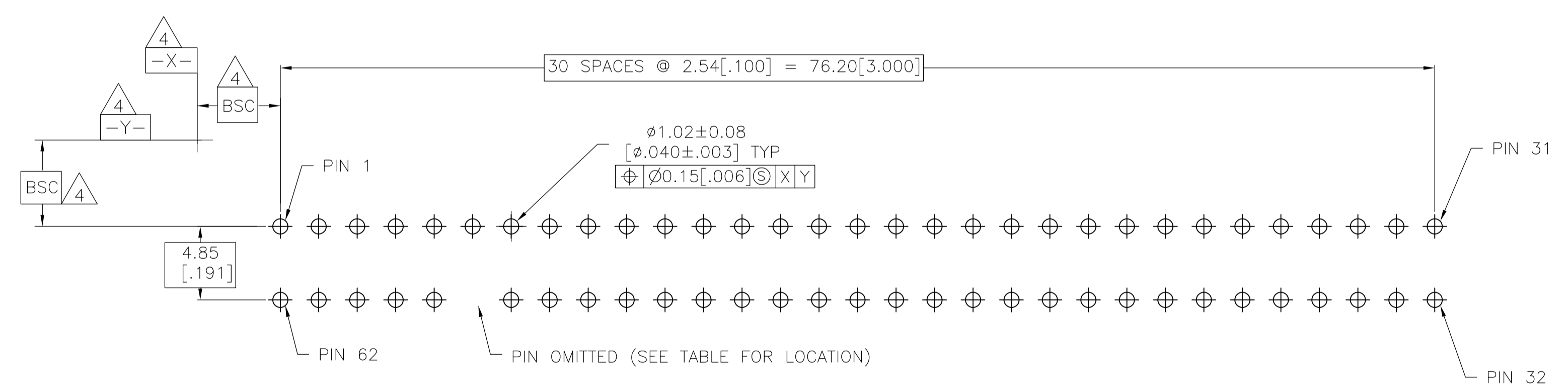
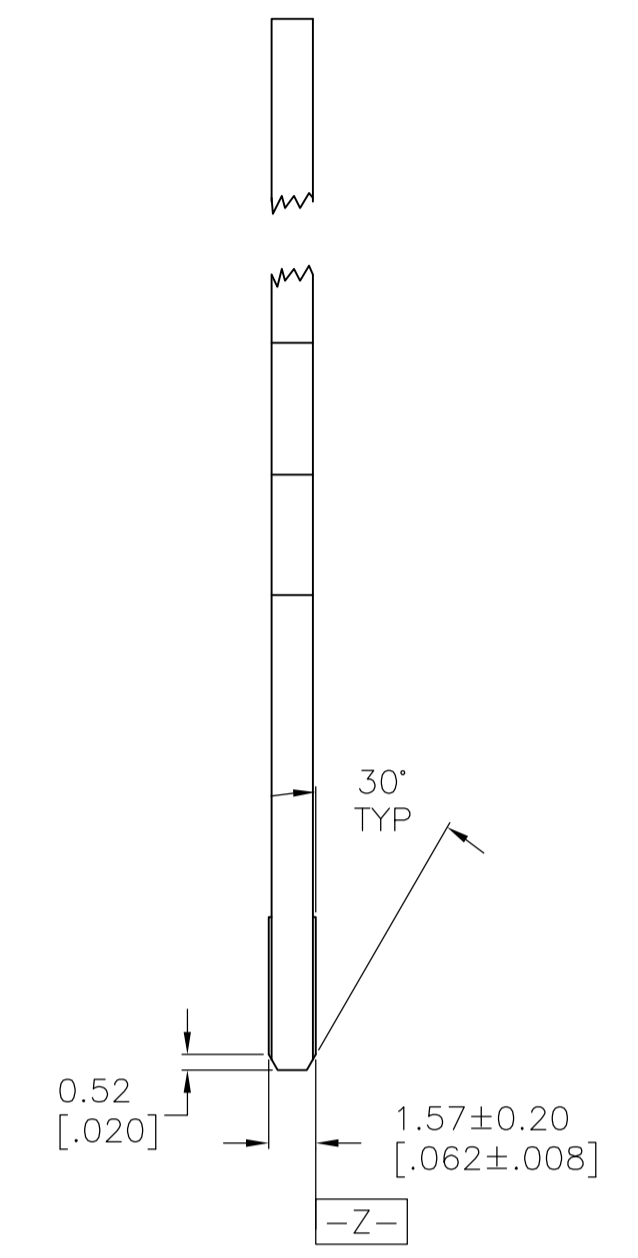


PART 1489930-7

THIS DRAWING IS A CONTROLLED DOCUMENT.		DIN AWF/L.A.MAYER 01APR2008		TE Connectivity	
DIMENSIONS: mm [INCHES]		TOLERANCES UNLESS OTHERWISE SPECIFIED:			
0 PLC ± - 1 PLC ± - 2 PLC ± - 3 PLC ± .13 [.005] 4 PLC ± - ANGLES ± -		AWF/FRANTUM 01APR2008 S.FLICKINGER 01APR2008		NAME: CONNECTOR ASSEMBLY HIGH CURRENT CARD EDGE 108-2148 DUAL POSITION, 2.54 [.100] CENTERLINE	
MATERIAL: SEE NOTE 1		FINISH: SEE NOTE 2		APPLICATION SPEC: 114-13018 SIZE: A1 CAGE CODE: 00779 DRAWING NO: 1489930 WEIGHT: - CUSTOMER DRAWING	
		SCALE: 5:1		SHEET 2 OF 3 REV N2	



RECOMMENDED MATING BORAD EDGE CONFIGURATION



RECOMMENDED PC BOARD HOLE LAYOUT

THIS DRAWING IS A CONTROLLED DOCUMENT.		DWN: AWF/L.A.MAYER 01APR2008	TE Connectivity	
DIMENSIONS: mm [INCHES]		CHK: A.W.FRANTUM 01APR2008	NAME: CONNECTOR ASSEMBLY	
TOLERANCES UNLESS OTHERWISE SPECIFIED:		APVD: S.FLICKINGER 01APR2008	HIGH CURRENT CARD EDGE	
0 PLC ± -	1 PLC ± -	PRODUCT SPEC	DUAL POSITION, 2.54 [0.100] CENTERLINE	
2 PLC ± -	3 PLC ± .13 [0.005]	APPLICATION SPEC	SIZE: A1	CAGE CODE: 00779
4 PLC ± -	ANGLES ± -	WEIGHT: -	DRAWING NO: 1489930	RESTRICTED TO: -
MATERIAL: SEE NOTE 1	FINISH: SEE NOTE 2	CUSTOMER DRAWING	SCALE: 5:1	SHEET: 3 OF 3

单击下面可查看定价，库存，交付和生命周期等信息

[>>TE Connectivity\(泰科\)](#)