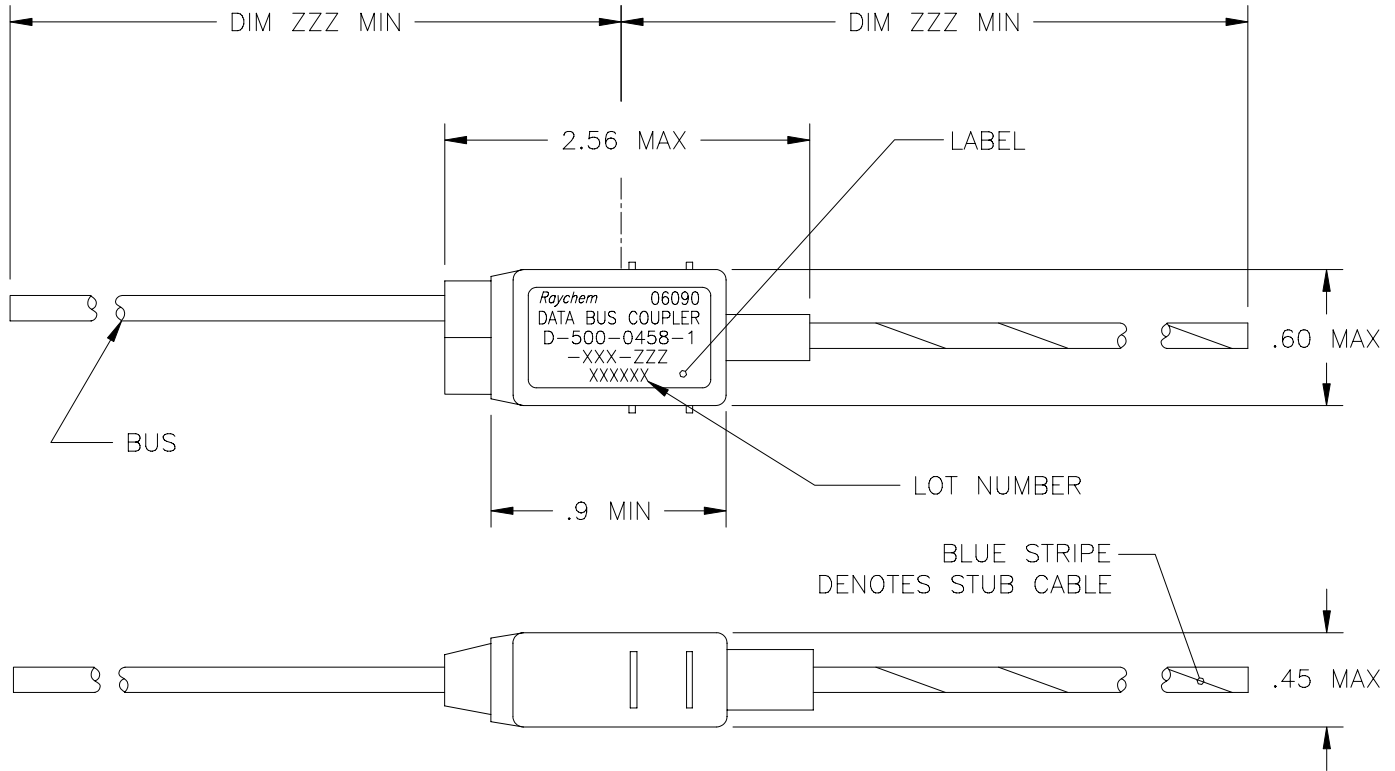


REVISION		
REV	DESCRIPTION	DATE
B	REVISED PER DCR NUMBER T31572	6/12/03



COMPONENT NUMBER	BUS CABLE	STUB CABLE
D-500-0458-1-612-ZZZ	10612-24-9	10612-24-96
D-500-0458-1-613-ZZZ	10613-24-9	10613-24-96
D-500-0458-1-614-ZZZ	10614-24-9	10614-24-96

PART NO. D-500-045X-1-XXX-ZZZ

SCHEMATIC _____

8=INTERNAL TERMINATOR (AS SHOWN)
REVERSE CONFIGURATION

1=SINGLE STUB _____

LENGTH OF CABLE (INCHES)

CABLE
612=10612
613=10613
614=10614

If this document is printed it becomes uncontrolled.
Check for the latest revision.

SPECIFICATION CONTROL DRAWING

UNLESS OTHERWISE SPECIFIED DIMENSIONS ARE INCHES. METRIC DIMENSIONS ARE IN BRACKETS. DECIMAL TOLERANCES .XXX ± --- [--- mm] .XX ± --- [--- mm] .X ± --- [--- mm] ANGLE TOLERANCE .X ± --- WEIGHT SEE NOTES	DRAWN Z.Teman	DATE 4/15/97		Tyco Electronics 300 CONSTITUTION DRIVE MENLO PARK, CALIFORNIA 94025 USA	Raychem
	MATERIAL FINISH THIRD ANGLE PROJECTION		TITLE DATABUS MICROCOUPLER SINGLE STUB IN-LINE, 04 SERIES, REVERSE WITH INTERNAL BUS TERMINATOR		
CAD FILE T31572A			SIZE A	CODE IDENT. NO. 06090	DWG. NO. D-500-0458-1-XXX-ZZZ
DO NOT SCALE THIS DRAWING				SHEET 1 OF 2	

1. MATERIAL AND FINISHES:1.1 INTERNAL COMPONENTS:

- 1.1.1 -TRANSFORMER TO MIL-PRF-21038 AND MIL-STD-1553B
 1.1.2 -RESISTORS, ISOLATION PER MIL-PRF-39007/9, 57.6 OHMS (R1)
 1.1.3 -RESISTORS, TERMINATION PER MIL-PRF-39007/9, 76.8 OHMS (R2)
 1.2 SHIELDED CASE: ALUMINUM PER ASTM-B618
 1.3 SEALED STRAIN RELIEF COVER: MODIFIED CROSS-LINKED ELASTOMER, BLACK, TO RAYCHEM SPECIFICATION RK-6713.
 1.4 CABLE TYPE PER RAYCHEM SPECIFICATION 1200 (SEE PART NO. ON SHEET 1).

2. APPLICATION:

- 2.1 THIS COUPLER IS DESIGNED TO BE INSTALLED AS A DIGITAL MULTIPLEX ASSEMBLY MEETING THE REQUIREMENTS OF MIL-STD-1553B.
 2.2 FOR CABLE SPLICING USE FLEXIBLE SPLICE KIT D-150-0708-5 (NOT SUPPLIED).
 2.3 CABLE BEND RADIUS PER SAE-AS50881 STATIC BEND: 5 x CABLE O.D. MIN.
 DYNAMIC BEND: 10 x CABLE O.D. MIN.

3. TEMPERATURE:

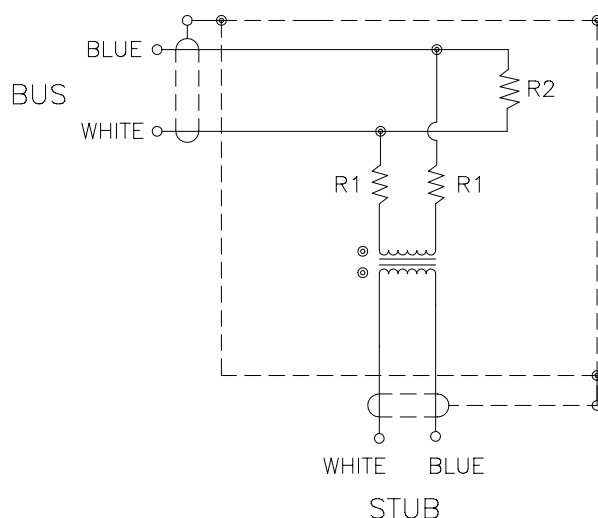
- 3.1 OPERATING TEMPERATURE: -65°C TO $+150^{\circ}\text{C}$

4. PERFORMANCE SPECIFICATIONS:

- 4.1 TRANSFORMER MEETS THE PERFORMANCE REQUIREMENTS OF MIL-STD-1553B.
 4.2 COUPLER MEETS THE PERFORMANCE REQUIREMENTS OF RAYCHEM SPECIFICATION D-6020.

5. WEIGHT:

- 5.1 MAXIMUM WEIGHT WITHOUT CABLE: 10 GRAMS MAX.

ONE STUB COUPLER SCHEMATIC

SPECIFICATION CONTROL DRAWING

DRAWN ZET	DATE 4/15/97	SIZE A	CODE IDENT. NO. 06090	DWG. NO. D-500-0458-1-XXX-ZZZ	REV B
CAD FILE T31572B	tyco		IS DRAWING		SHEET 2 OF 2

单击下面可查看定价，库存，交付和生命周期等信息

[>>TE Connectivity\(泰科\)](#)