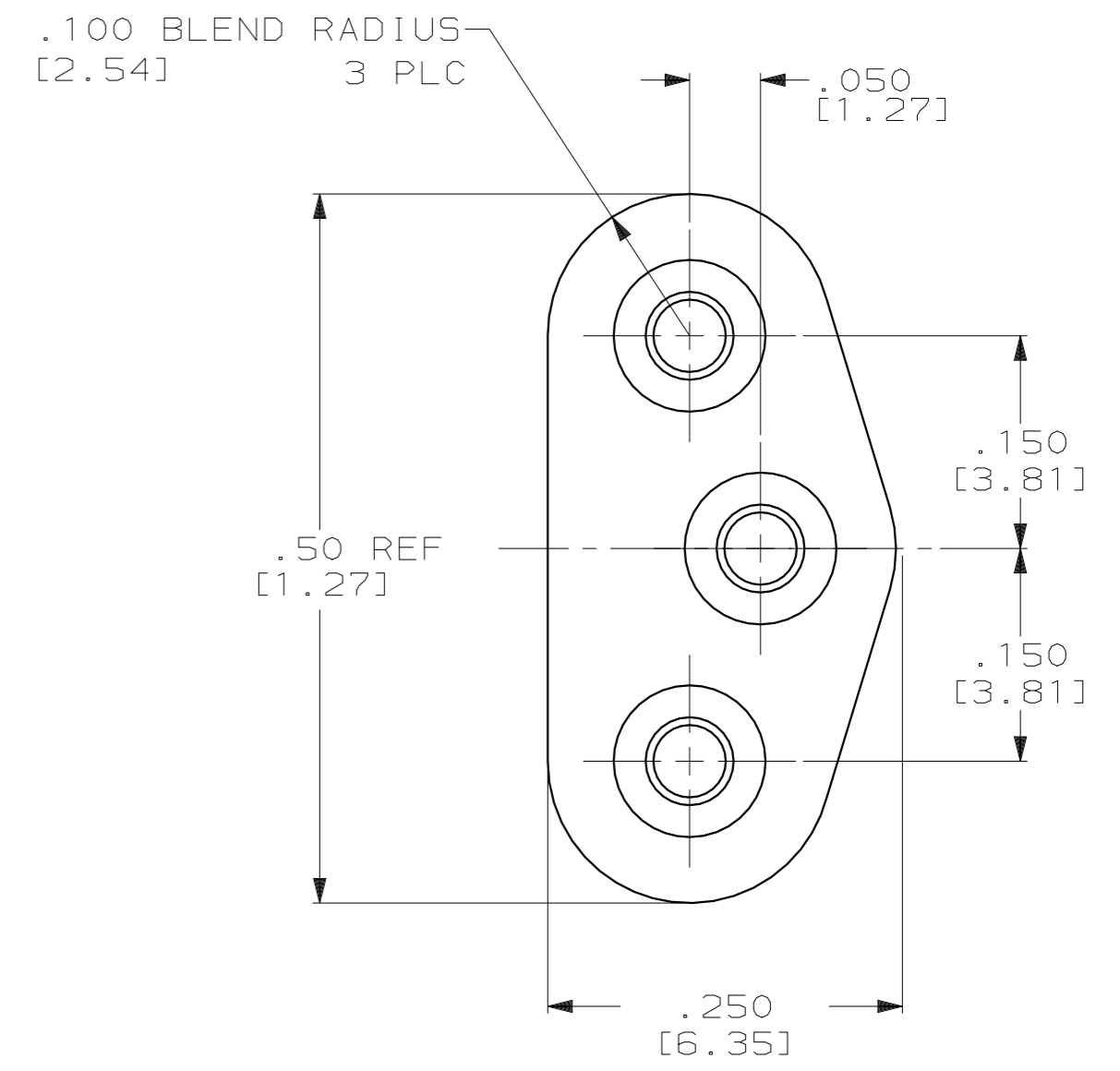
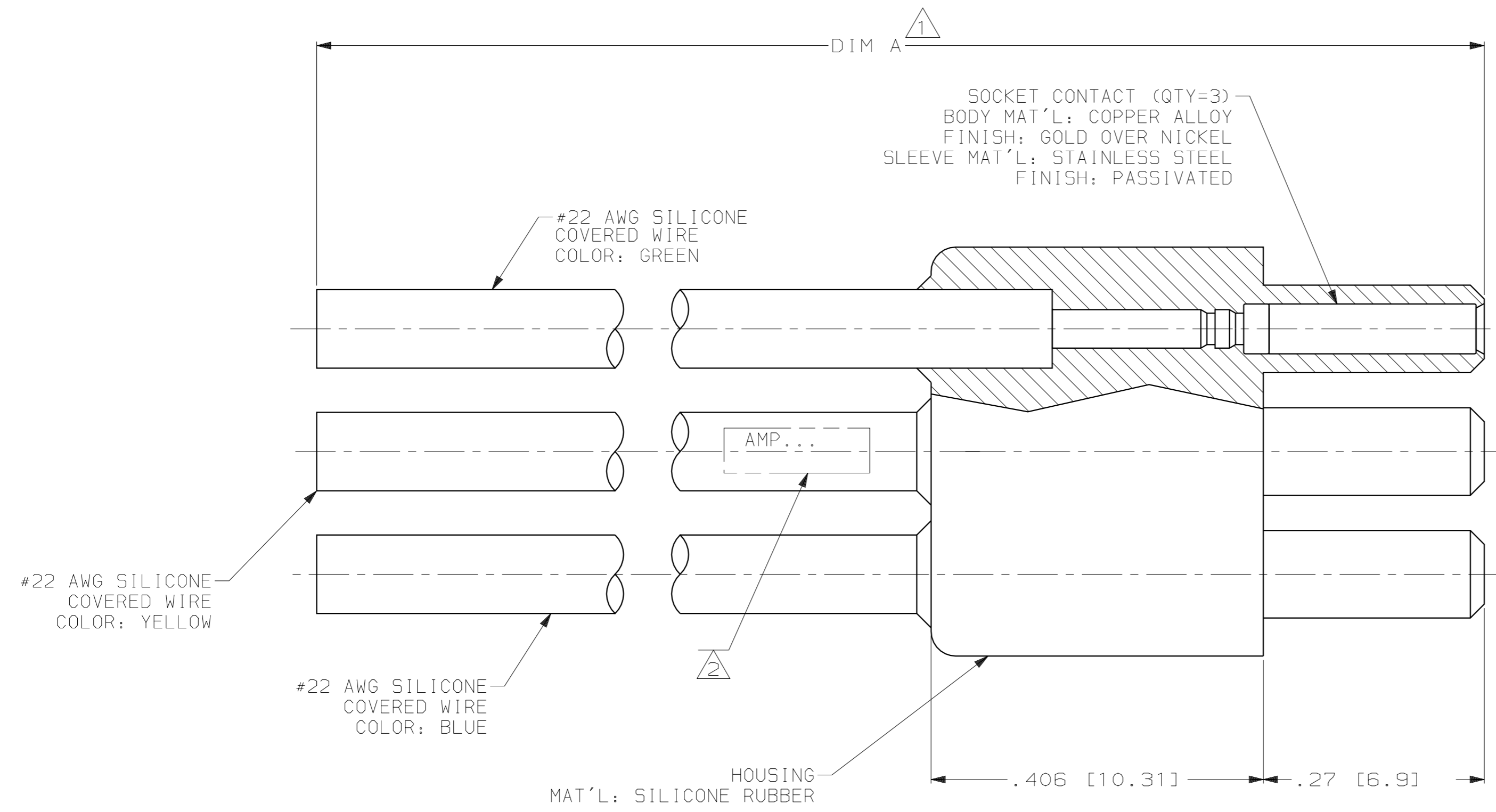


THIS DRAWING IS UNPUBLISHED. RELEASED FOR PUBLICATION
 BY AMP INCORPORATED. ALL RIGHTS RESERVED.

LOC	DIST	REVISIONS			
P	LTR	DESCRIPTION	DATE	DWN	APVD
DF	SO	H	REV PER 0H14-0101-04	2-04	CT DE



1 TOLERANCE: UP TO 24.00 [609.6] ±.12 [3.0]
 24.00 [609.6] AND UP ±1%

2 AMP INFO MARKED PER MIL-STD-130.

	80.00 [2032.0]	862424-5
	48.00 [1219.2]	862424-4
OBSOLETE	24.00 [609.6]	862424-3
	18.00 [457.2]	862424-2
	12.00 [304.8]	862424-1
	A DIM	PART NO.

THIS DRAWING IS A CONTROLLED DOCUMENT.		DWN	C.C.THOMAS	1/26/99
DIMENSIONS: INCHES [mm]		CHK	D.EABY	2-5-99
TOLERANCES UNLESS OTHERWISE SPECIFIED:		APVD	D.EABY	2-5-99
0 PLC ±-		PRODUCT SPEC	-	
1 PLC ±-		APPLICATION SPEC	-	
2 PLC ±.02 [0.5]		WEIGHT	-	
3 PLC ±.005 [0.13]		CUSTOMER DRAWING	-	
4 PLC ±-		SCALE	8:1	
ANGLES ±-		SHEET	1 OF 1	
FINISH -		REV	H	

AMP Incorporated
 Harrisburg, PA 17105-3608

PLUG, LGH, 3 POSN., MICRO-MIN

SIZE: A2 CAGE CODE: 00779 DRAWING NO: C-862424 RESTRICTED TO: -

单击下面可查看定价，库存，交付和生命周期等信息

[>>TE Connectivity\(泰科\)](#)