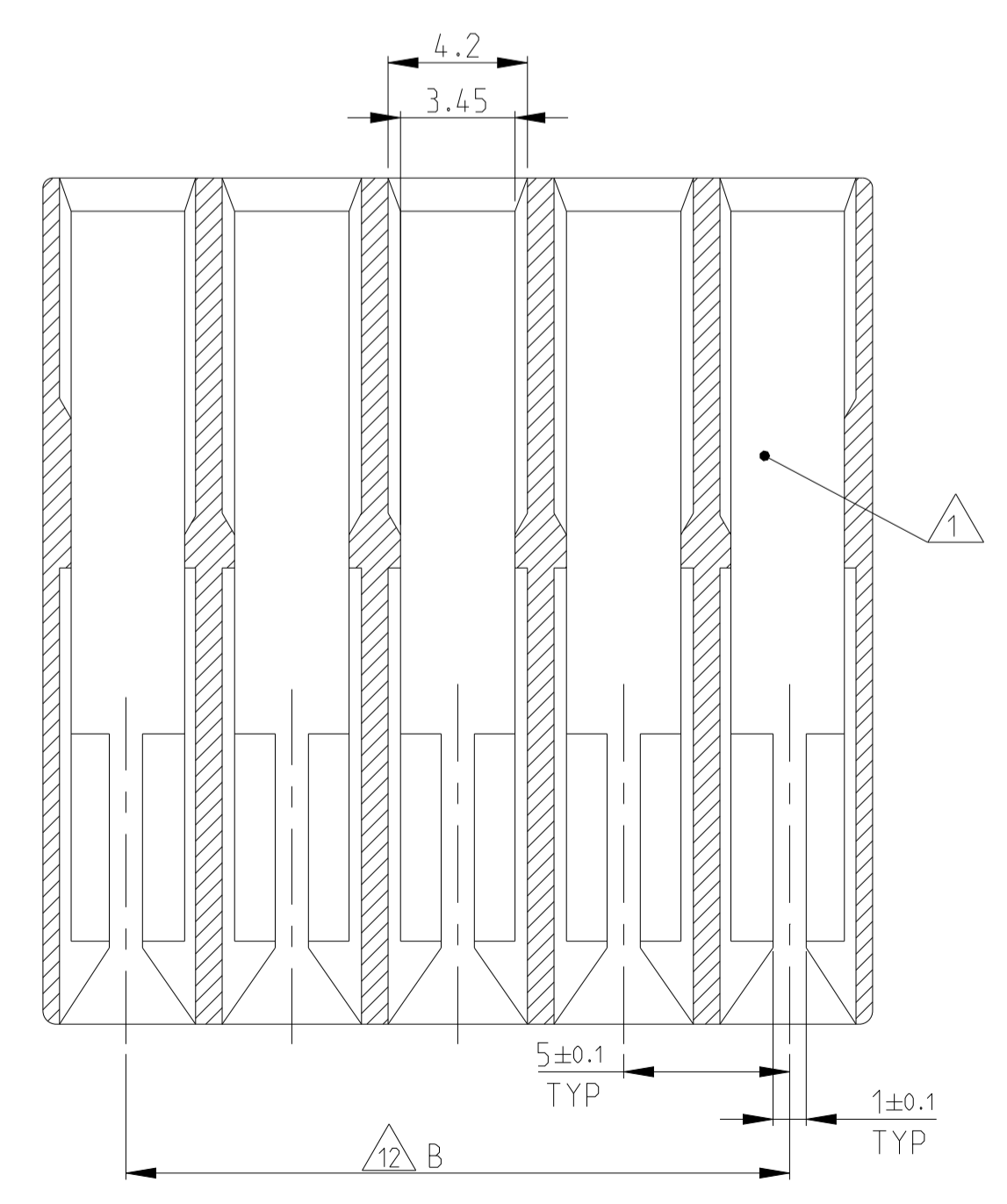
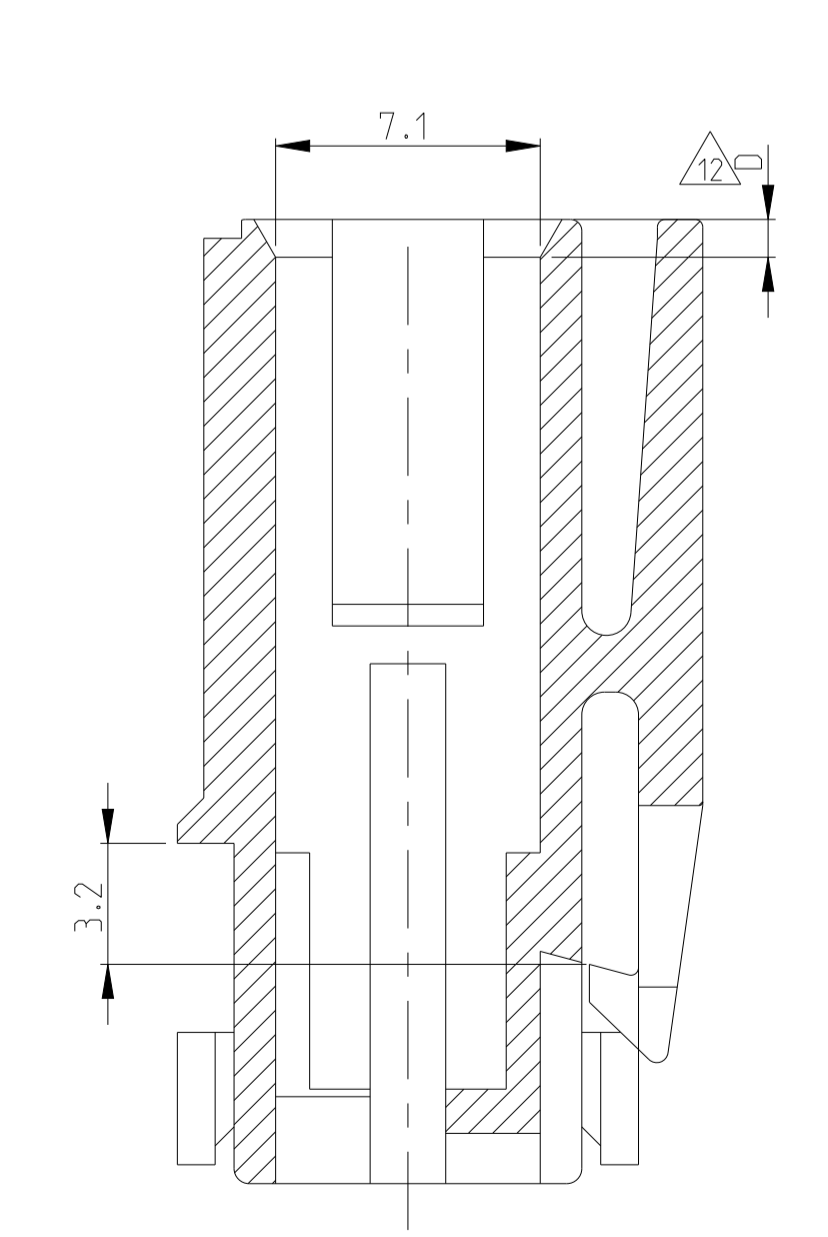
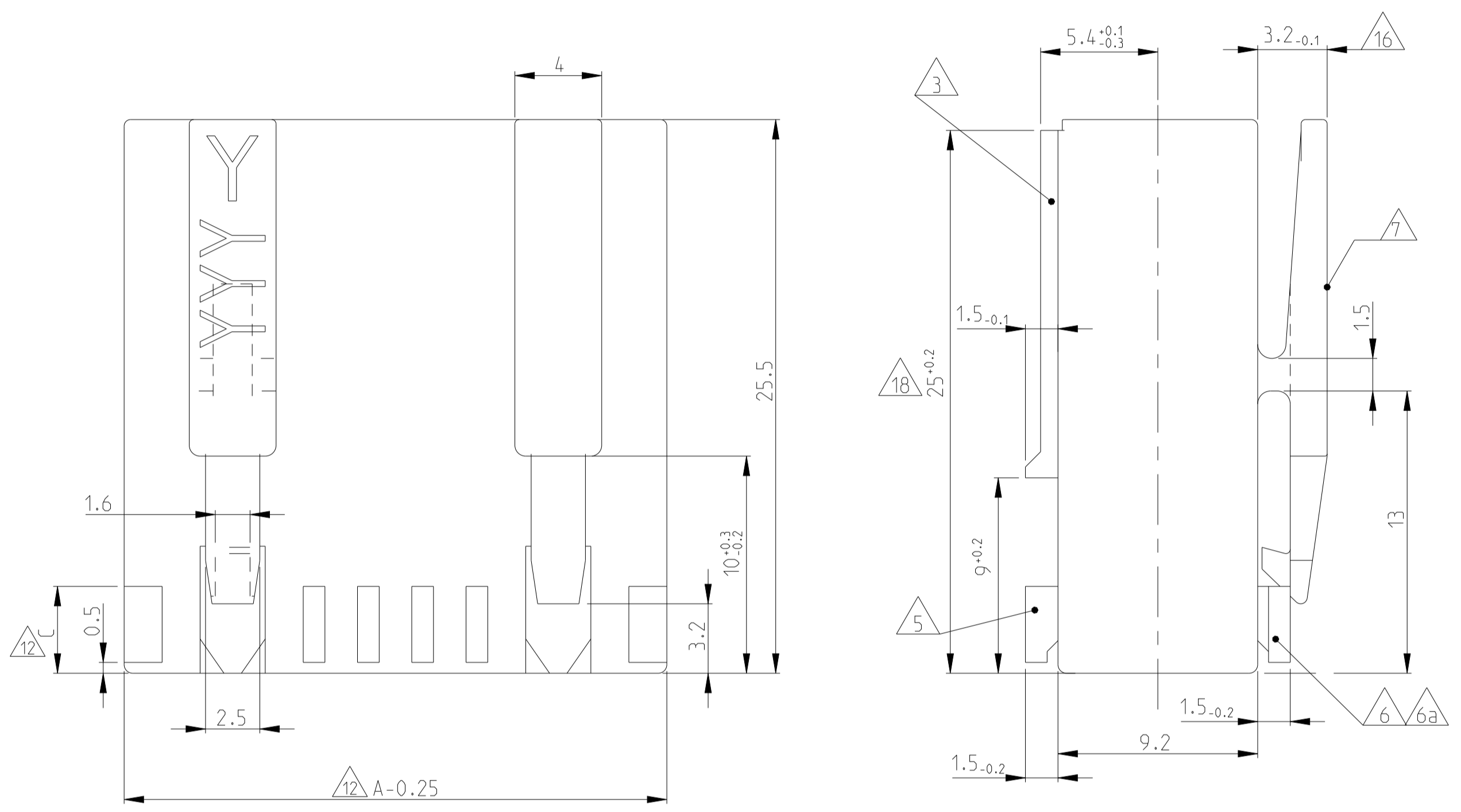
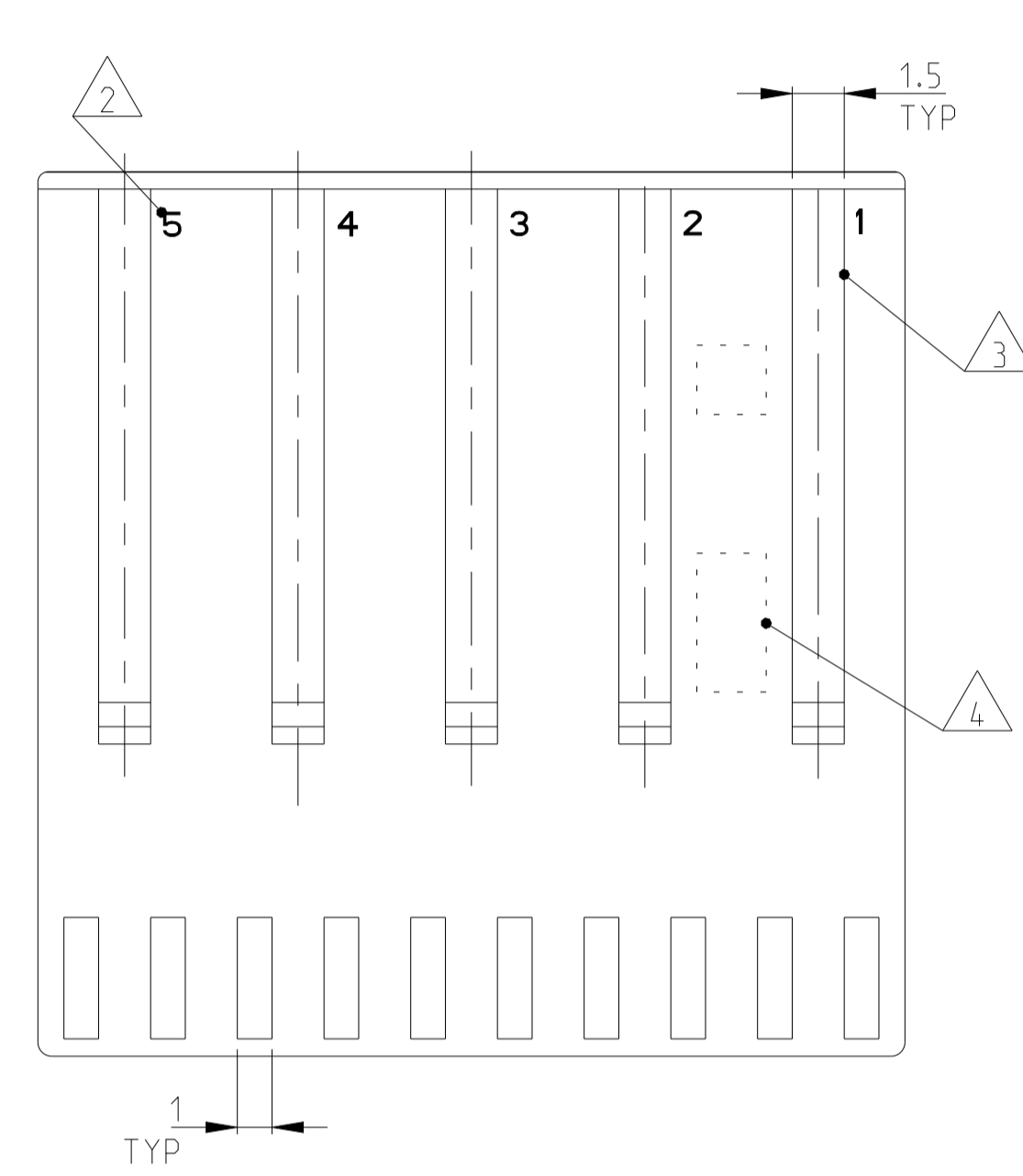
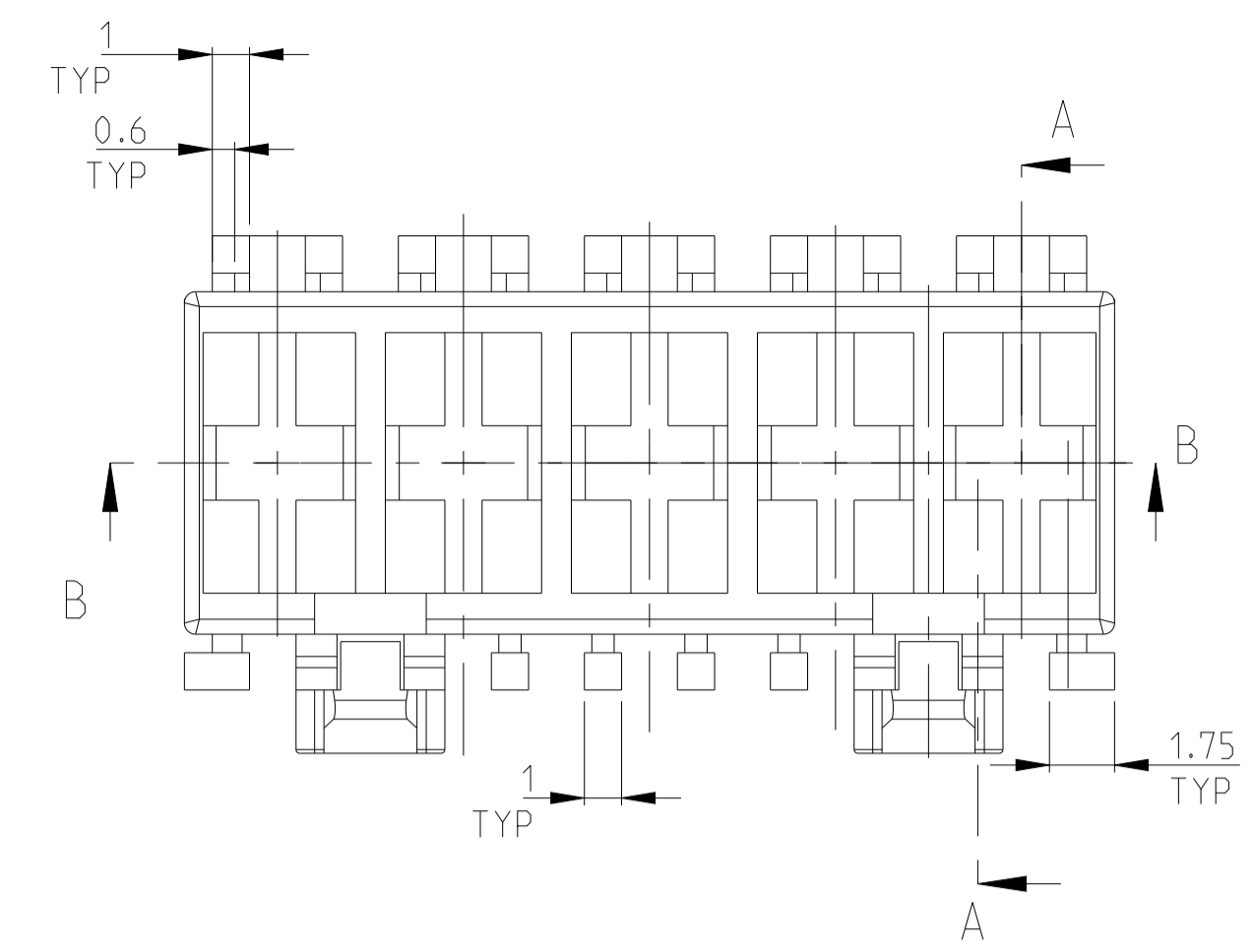
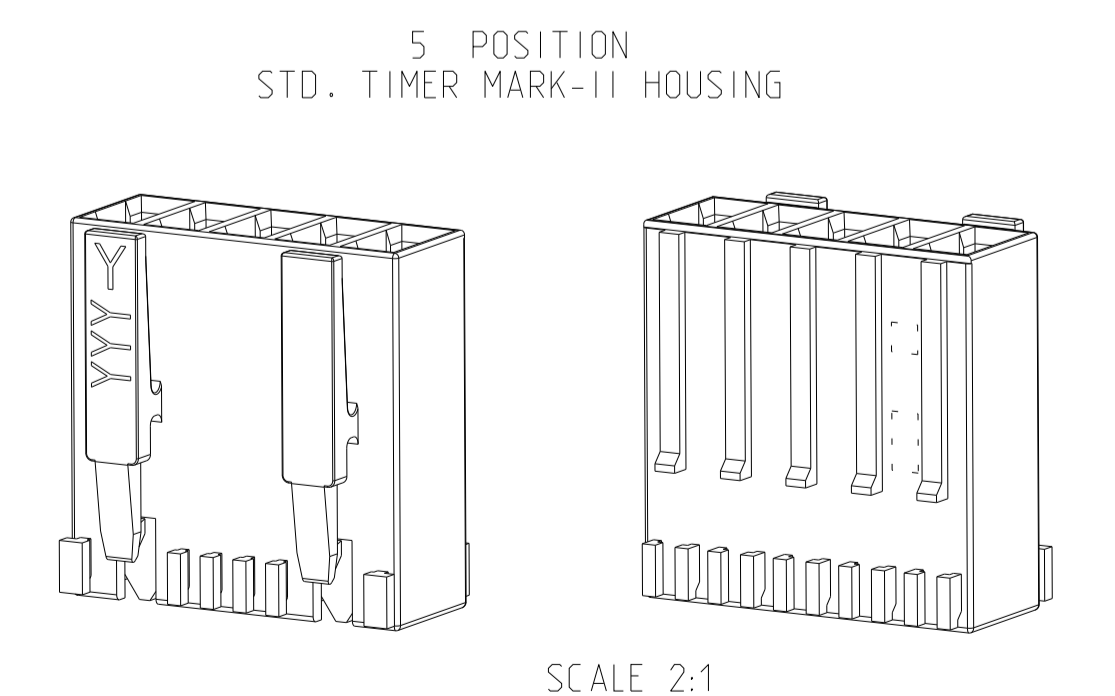


LOC		DIST		REVISIONS			
P	LTN	DESCRIPTION	DATE	DMN	APVD		
E4	ECR-21-103933		14 JUN 2021	PJ	FL		
E5	ECR-21-115768		06 DEC 2021	KD	FL		
E6	ECR-21-118726		27 DEC 2021	PJ	FL		
E7	ECR-21-121619		06 DEC 2021	PJ	FL		

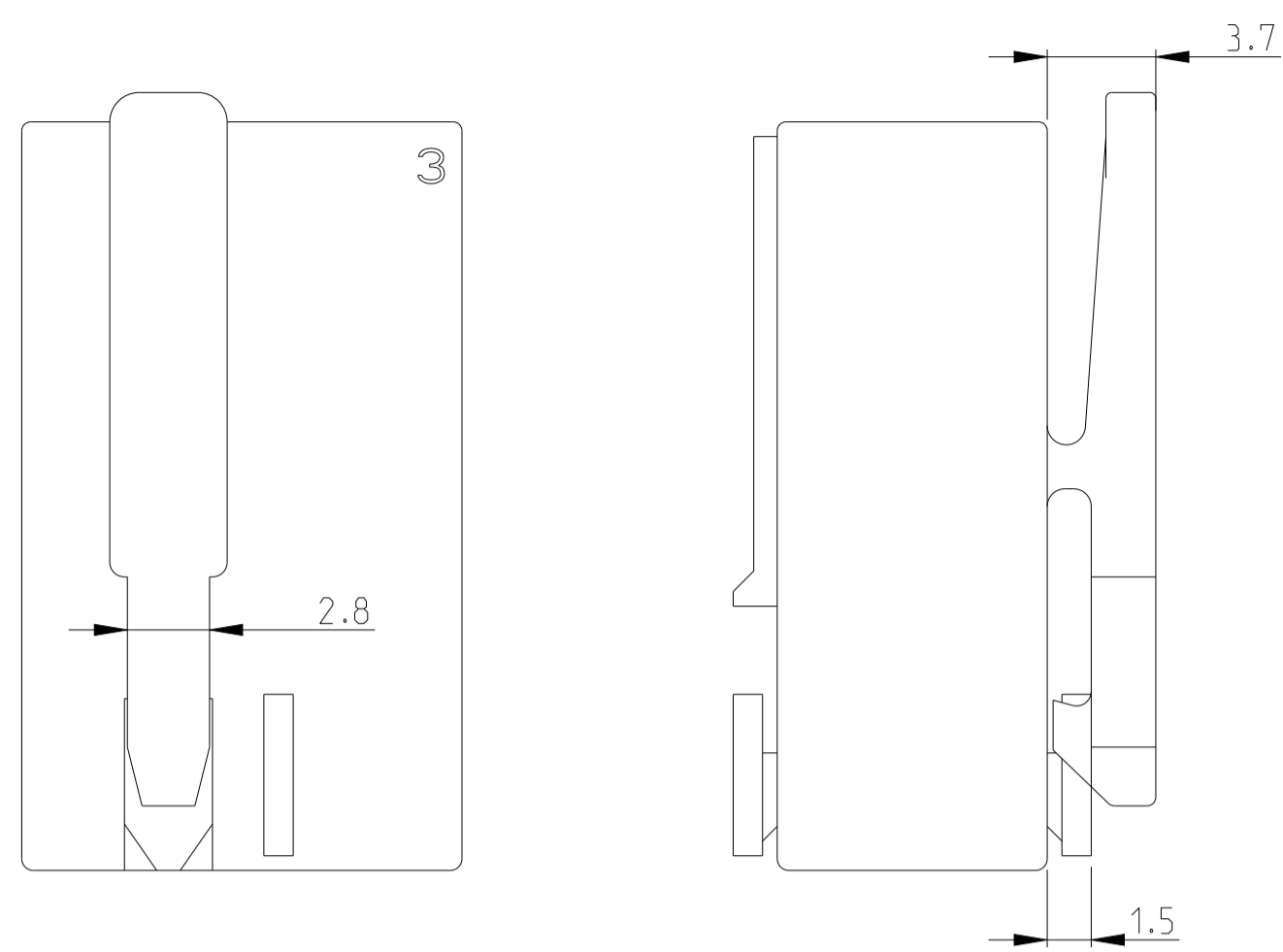


- REMARKS/Bemerkungen**
- 1 CAVITY SUITABLE FOR STANDARD TIMER CONTACTS LISTED IN PROD.SPEC. 108-18049. ITEM 3.3.2  
Kammer geeignet für Standard Timer Kontakte gelistet in Prod. Spec. 108-18049, Punkt 3.3.2
  - 2 CONTACT CAVITY NO.  
Kontaktkammernummerierung
  - 3 MATING STOP  
Tiefenanschlag
  - 4 AREA FOR TE LOGO ACC. TO SPEC 202-36  
Bereich für TE Logo nach Spec. 202-36
  - 5 POLARIZATION RIB POSITION "a" AND/OR "b"  
Polarisierungsrippe Position "a" und/oder "b"
  - 6 KEYING RIB POSITION "c" AND/OR "d"  
Kodierrippe Position "c" und/oder "d"
  - 6a KEYING RIB POSITION "c" AND/OR "d" AT THE END WALLS OF THE HOUSING  
Kodierrippe Position "c" und/oder "d" an den Gehäusestirnseiten
  - 7 LOCKING LATCH  
Rasthaken
  - 8 TE PART NO (PN)  
TE Bestell Nr. (PN)
  - 9 DESIGN OF THE HOUSINGS ACC. TO RAST 5 STANDARD  
Gehäuseausführung gemäss RAST 5 Vorgabe
  - 10 GENERAL SUITABLE TAB HEADER SEE RAST 5 PERFORMANCE  
Generell passende Flachsteckerwannen siehe RAST 5 Vorgabe
  - 11 PACKAGING: BULK PACKAGING IN CORRUGATED BOX PN 740580-2  
2 POS. 2500 PIECES PER BOX / 3 POS. 2000 PIECES PER BOX  
Verpackung: Schüttgut in Versandkarton Pn 740580-2  
2pol. 2500 Stück per Karton / 3pol. 2000 Stück per Karton
  - 12 DIMENSION A, B C AND D SEE SHEET 2 OF 3
  - 13 MATERIAL CORRESPONDS TO THE REQUIRMENT EN 60335  
(INCL. GLOW WIRE TEST 750° WITHOUT FLAME)  
Material entspricht den Anforderungen der EN 60335  
(inkl. Glühdrahttest 750° ohne Flamme)
  - 14 RATIO NUMBER OF THE KEYING VERSION, INKJET PRINTED. SEE SHEET 2  
Kodierungskennnummer, mit Tintenstrahldrucker aufgebracht. siehe Blatt 2
  - 15 PRELIMINARY- NOT RELEASED FOR PRODUCTION
  - 16 ONLY FOR 9-1241961-7, DIMENSION 3.2 -0.2
  - 17 DOUBLE SOURCE RESIN: ALTERNATIVE RESIN UNDER APPROVAL
  - 18 ALLOWED 25±0.2 FOR P/Ns X-2364739-X.



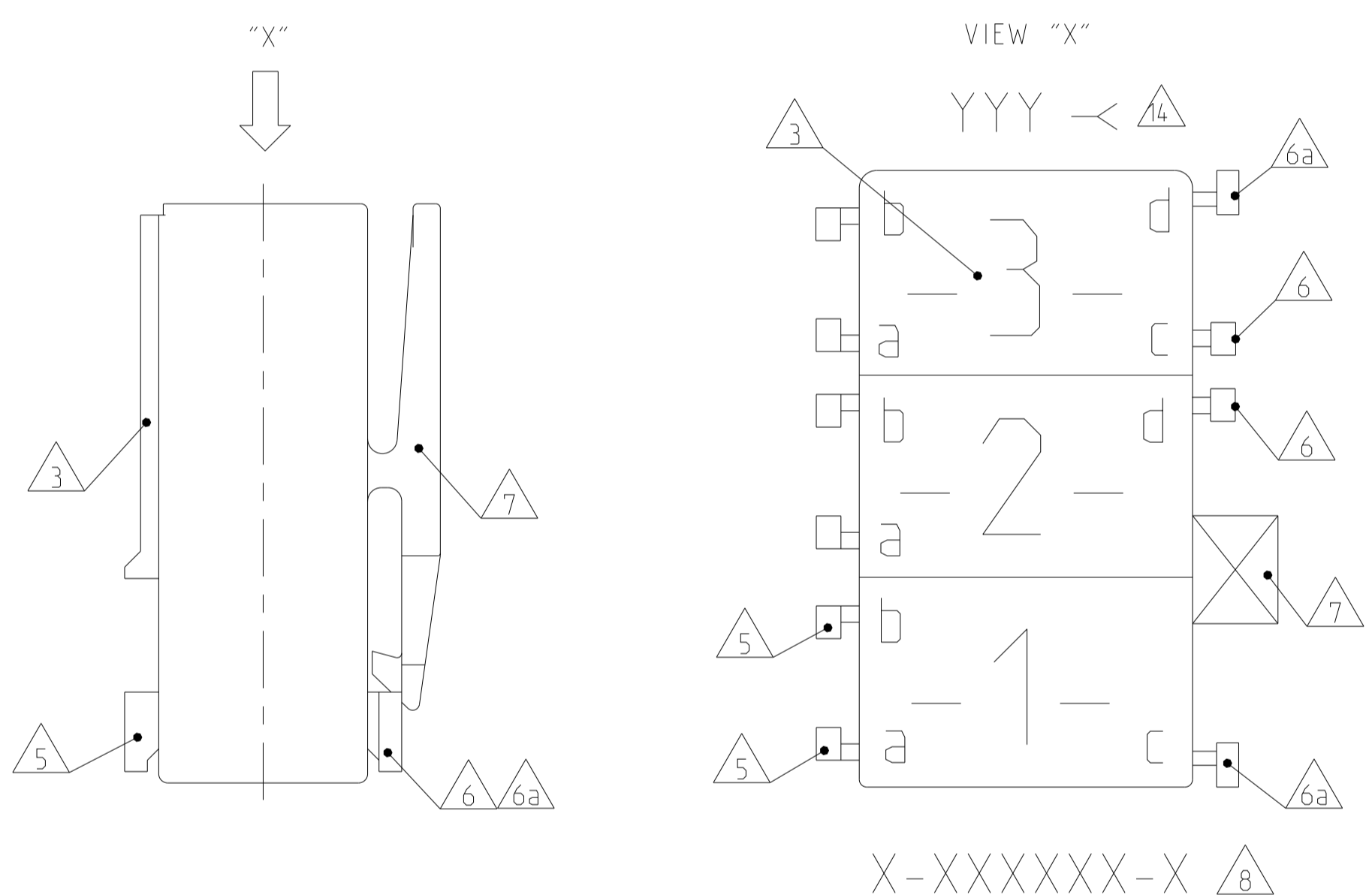
THIS DRAWING IS A CONTROLLED DOCUMENT.		DMN	Kishor M	18-10-07	TE Connectivity	
		CHK	K. MUNDZ	18-10-07		
DIMENSIONS:		TOLERANCES UNLESS OTHERWISE SPECIFIED:		NAME		
mm		0 PLC ±0.2		STANDARD TIMER HSG. RAST 5 MARK II		
		1 PLC ±0.2		Standard Timer Gehäuse RAST 5 Mark II		
		2 PLC ±0.2		PRODUCT SPEC		
		3 PLC ±0.2		108-18049-1		
		4 PLC ±0.2		APPLICATION SPEC		
		ANGLES		SIZE		
		FINISH		CAGE CODE		
MATERIAL		WEIGHT		DRAWING NO		
SEE TABLES, SHEETS		-		A 1		
PAGE 2 AND 3 OF 4		-		00779		
		Customer Drawing		©= 1241961		
				RESTRICTED TO		
				SCALE		
				5:1		
				SHEET		
				1 OF 4		
				REV		
				E7		

ONLY 5-1241961-7, 1-1241961-9, 7-1241961-7, 2345753-1, 2-2178571-3



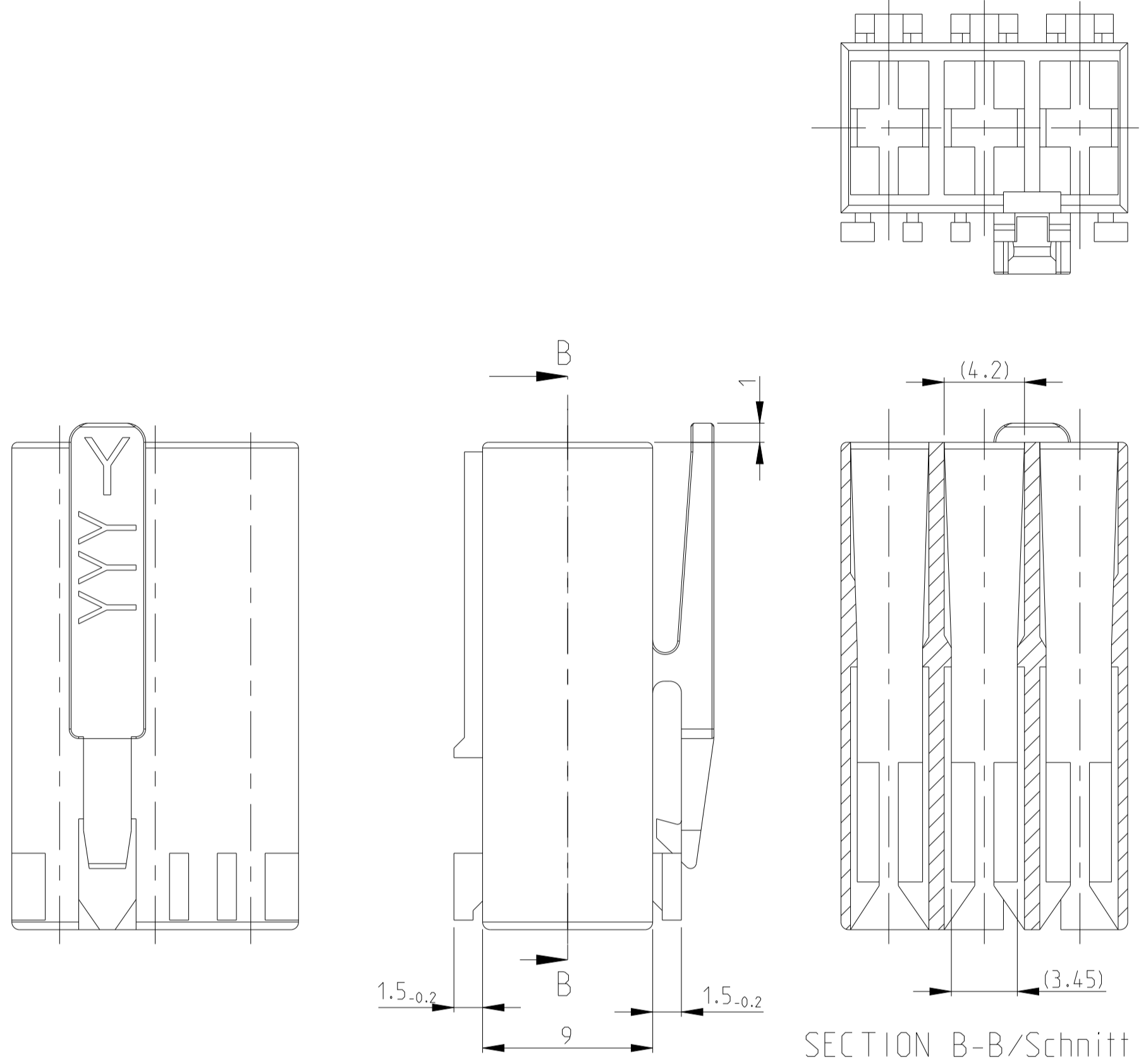
ALL OTHER DIMENSIONS SEE SHEET 1 OF 3

KEY LAYOUT DESCRIPTION



PAY ATTENTION !  
DIFFERENT CAVITY GEOMETRY AND LOCKING LATCH OVERHANG  
Bitte beachten !  
Unterschiedliche Kammergeometrie und Rasthakenuberstand.

FOR 2 POS. AND 3 POS.



ALL OTHER DIMENSIONS SEE SHEET 1 OF 3  
Alle anderen Masse siehe Seite 1 von 3

SPECIAL MATERIAL: UL94 V0								
2345753-1	3	6	1	15	10	PA66	NATURAL	C
SPECIAL MATERIAL								
1955507-4	4	6	1	20	15	PA66	NATURAL	1
9-1955506-2	2	6	1	10	5	UL 94 V0	NATURAL	1
SPECIAL VERSION: UL94 V0 & GWT 750NF								
2178571-3	4			20	15	PA 66, UL94 V-0	NATURAL	
2178571-1	3			15	10	PA 66, UL94 V-0	NATURAL	
2178571-2	2			10	5	PA 66, UL94 V-0	NATURAL	
2-2178571-3	3			15	10	PA 66, UL94 V-0	NATURAL	
1-2178571-3	3			15	10	PA 66, UL94 V-0	NATURAL	
PART NO	POS	DIM C	DIM D	DIM A	DIM B	MATERIAL	COLOUR	Farbe

REVISIONS									
NO	DATE	BY	DESCRIPTION	DATE	BY	DESCRIPTION	DATE	BY	DESCRIPTION
SEE SHEET-01									
0-1241959-5	5		25	20					B
4-1241959-4	4	4	0.5	20	15	PA 6 UL94V-2	Natural/natur		A
2-1241959-4	4		20	15					B
0-1241959-4	4		20	15					
2-1241817-5	5	6	1	25	20	PA 6.6 UL94V-2	Natural/natur		C
0-1241817-5	4	0.5	25	20			Black/schwarz		
3-1241817-4	4		20	15			Violet/violett		
2-1241817-4	4	6	1	20	15		Grey/grau		
0-1241817-4	4	0.5	20	15			Natural/natur		
2-1241983-2			10	5			Green/grün		
1-1241983-2			10	5			Violet/violett		
0-1241983-2	2	4	0.5	10	5	PA 6 UL94V-2	TARGET RAL 4001		C
8-1241983-2			10	5			Yellow/gelb		
5-1241983-3			10	5			Black/schwarz		
6-1241983-2			10	5			Blue/blau		
6-1241983-2			10	5			Red/rot		
9-1241961-7		4	0.5	15	10				
9-1241961-8		4	0.5	15	10				
6-1241961-8		4 or 6	0.5 or 1	15	10				
5-1241961-8		4	0.5	15	10				
4-1241961-8		4	0.5	15	10				
7-1241961-8		4 or 6	0.5 or 1	15	10				
1-1241961-8		4 or 6	0.5 or 1	15	10				
3-1241961-8		6	1	15	10				
2-1241961-8				15	10				
2-1241961-7				15	10				
1-1241961-7		4	0.5	15	10				
9-1241961-9				15	10				
0-1241961-6				15	10				
3-1241961-3				10	5				
2-1241961-2				10	5				
5-1241961-2				10	5				
4-1241961-3				10	5				
7-1241961-2				10	5				
7-1241961-3				10	5				
6-1241961-3				10	5				
3-1241961-2				10	5				
5-1241961-3				10	5				
6-1241961-2				10	5				
0-1241961-3				10	5				
8-1241961-2				10	5				
9-1241961-2				10	5				
0-1241961-1				10	5				
9-969484-9	3	6	1	15	10	PA 6.6 UL94V-2	Yellow/gelb		
2-969484-8				15	10				
4-969484-8		4 or 6	0.5 or 1	15	10				
0-969484-8				15	10				
9-969484-7				15	10				
8-969484-7		4	0.5	15	10				
7-969484-7				15	10				
6-969484-7				15	10				
5-969484-7				15	10				
4-969484-7				15	10				
3-969484-7				15	10				
2-969484-7				15	10				
1-969484-7		4	0.5	15	10				
0-969484-7				15	10				
9-969484-6				15	10				
8-969484-6		6	1	15	10				
7-969484-6				15	10				
6-969484-6				15	10				
5-969484-6				15	10				
4-969484-6				15	10				
3-969484-6				15	10				
2-969484-6		6	1	15	10				
1-969484-6				15	10				
0-969484-6				15	10				
9-969484-3				10	5				
6-969484-3				10	5				
5-969484-3		4	0.5	10	5				
4-969484-3				10	5				
3-969484-3				10	5				
2-969484-3				10	5				
1-969484-3				10	5				
0-969484-3				10	5				
9-969484-2				10	5				
8-969484-2				10	5				
7-969484-2				10	5				
6-969484-2		4	0.5	10	5				
5-969484-2				10	5				
4-969484-2				10	5				
3-969484-2				10	5				
2-969484-2				10	5				
1-969484-2				10	5				
0-969484-2				10	5				
9-969484-1				10	5				
8-969484-1				10	5				
7-969484-1		6	1	10	5				
6-969484-1				10	5				
5-969484-1		4	1	10	5				
4-969484-1				10	5				
3-969484-1				10	5				
2-969484-1		4	0.5	10	5				
1-969484-1				10	5				
0-969484-1				10	5				
PART NO	POS.	DIM C	DIM D	DIM A	DIM B	MATERIAL	COLOUR	REV	

THIS DRAWING IS A CONTROLLED DOCUMENT. DIMENSIONS: mm. TOLERANCES UNLESS OTHERWISE SPECIFIED: 0 PLC ±0.2, 1 PLC ±0.2, 2 PLC ±0.2, 3 PLC ±0.2, 4 PLC ±, ANGLES FINISH ±\*.

Customer Drawing. WEIGHT: -. SCALE: 5:1. SHEET 2 OF 4. REV E7.

STANDARD TIMER HSG. RAST 5 MARK II. Standard Timer Gehäuse RAST 5 Mark II. SIZE: A1. CAGE CODE: 00779. DRAWING NO: 1241961. RESTRICTED TO: -. DATE: 18-10-07. BY: K. Müller. CHECKED: K. Müller. APPROVED: T. Klenner. PRODUCT SPEC: 108-18049. APPLICATION SPEC: -. MATERIAL: -. WEIGHT: -. SCALE: 5:1. SHEET 2 OF 4. REV E7.

THIS DRAWING IS UNPUBLISHED. RELEASED FOR PUBLICATION  
 © COPYRIGHT 2011 ALL RIGHTS RESERVED.

LOC	DIST	P	LTN	DESCRIPTION	DATE	DNW	APVD
				SEE SHEET-01			

SPECIAL VERSION: UL94 V0 & GW EPT 750°C NF									
2364739-5	5	4	0.5	25	20	PA66 13 17	BLUE	C	
2364739-4	4			20	15		BLUE	C	
1-2364739-3	3			15	10		BLUE	C	
2364739-3	3			15	10		BLUE	C	
1-2364739-2	2			10	5		BLUE	C	
2364739-2	2			10	5		BLUE	C	
3-2364739-2	2			10	5		BLUE	C	
2-2364739-2	2			10	5		BLUE	C	

SPECIAL VERSION: UL94 V0 & GWT 750 NF & CTI 350									
5-1241961-7	3	6	1	15	10	PA66 13	NATURAL	A	
1-1241961-9	3			15	10		NATURAL	A	
7-1241961-7	3			15	10		NATURAL	A	

SPECIAL VERSION: UL94 V0 & GWT 750 NF									
2322164-1	4	4	0.5	20	15	PA66 13	NATURAL	1	

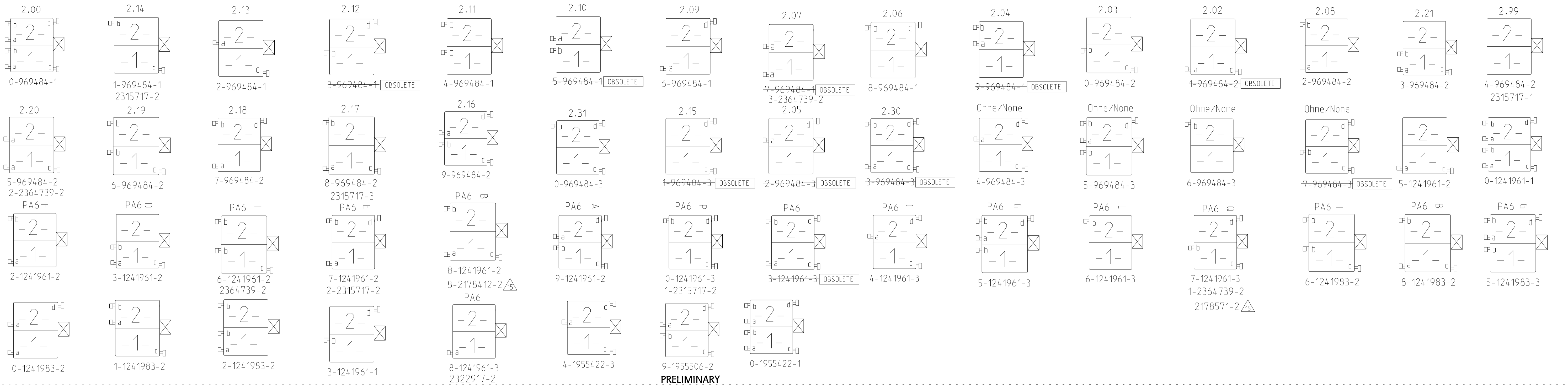
SPECIAL VERSION: UL94 V2 & GWT 750 NF									
6-2178575-7	3	4	0.5	15	10	PA6 GF15 13	NATURAL	A	

SPECIAL VERSION: UL94 V0 & GWT 750 NF									
3-2178412-7	3	6	1	15	10	PA66 13 UL94 V0 & GWT 750 NF	NATURAL	1	
4-2178412-7	3			15	10		NATURAL	1	
8-2178412-2	2			10	5		NATURAL	1	

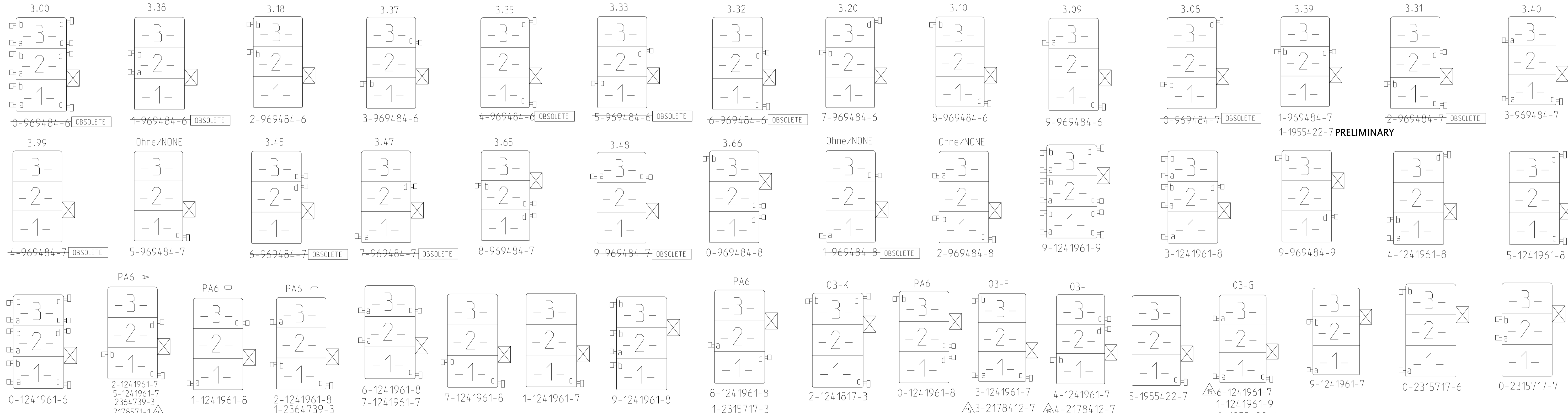
UL94 V0 & GWT 750 NF											
2322917-4	4	4	0.5	20	15	PA66 UL94 V0 & GWT 750 NF 13	NATURAL	C			
2322917-2	2			10	5		NATURAL	C			
2315717-1	2			10	5		NATURAL	C			
2315717-2	2			10	5		NATURAL	C			
2315717-3	2			10	5		NATURAL	C			
1-2315717-2	2			10	5		NATURAL	E			
2-2315717-2	2			10	5		NATURAL	E			
2315717-4	4			20	15		NATURAL	C			
2315717-5	4			20	15		NATURAL	C			
2315717-6	3			15	10		NATURAL	C			
2315717-7	3			15	10		NATURAL	C			
1-2315717-3	3			15	10		NATURAL	E			
PART NO.	POS			DIM C	DIM D		DIM A	DIM B	MATERIAL	COLOUR	REV.
				12	12		12	12			

THIS DRAWING IS A CONTROLLED DOCUMENT.		DNW Kishor M 18-10-07	
DIMENSIONS: mm		CHK K.Mundz 18-10-07	
TOLERANCES UNLESS OTHERWISE SPECIFIED:		APVD Tb. Klenner 18-10-07	NAME STANDARD TIMER HSG. RAST 5 MARK II Standard Timer Gehäuse RAST 5 Mark II
0 PLC ±0.2 1 PLC ±0.2 2 PLC ±0.2 3 PLC ±0.2 4 PLC ± ANGLES ±° FINISH -		PRODUCT SPEC 108-18049	SIZE A1
MATERIAL SEE TABLES, SHEETS PAGE 2 AND 3 OF 4		APPLICATION SPEC	CAGE CODE 00779
		WEIGHT	DRAWING NO 1241961
		Customer Drawing	RESTRICTED TO -
		SCALE 5:1	SHEET 3 OF 4
			REV E7

**2 POSITION VARIANTS**

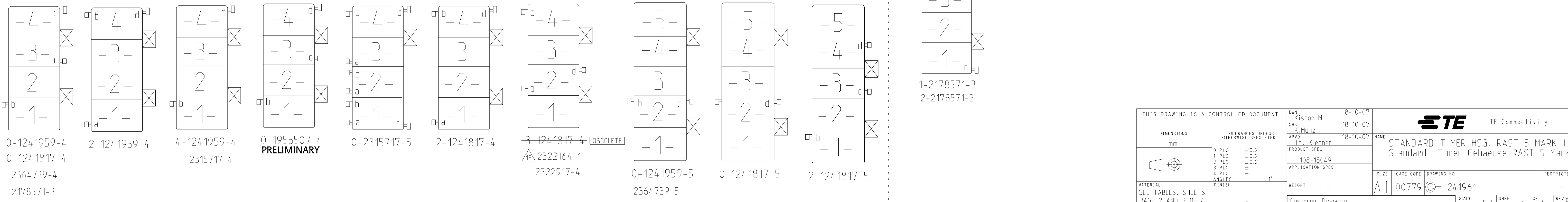


**3 POSITION VARIANTS**



**4 POSITION VARIANTS**

**5 POSITION VARIANTS**



THIS DRAWING IS A CONTROLLED DOCUMENT.		OWN	K. Kishor M.	18-10-07
DIMENSIONS:		CHK	K. Mundz	18-10-07
mm		APPR	T. Klenner	18-10-07
TOLERANCES UNLESS OTHERWISE SPECIFIED:		NAME		
0 PLC	±0.2	STANDARD TIMER HSG. RAST 5 MARK II		
1 PLC	±0.2	Standard Timer Gehäuse RAST 5 Mark II		
2 PLC	±0.2	PRODUCT SPEC		
3 PLC	±0.2	APPLICATION SPEC		
4 PLC	±0.2	SIZE		
ANGLES	±0.1	CAGE CODE		
FINISH	±0.1	DRAWING NO		
MATERIAL SEE TABLES. SHEETS PAGE 2 AND 3 OF 4		RESTRICTED TO		
		WEIGHT	A1	
		00779 ©=1241961		
		Customer Drawing		
		SCALE	5:1	
		SHEET	4 OF 4	
		REV E7		

单击下面可查看定价，库存，交付和生命周期等信息

[>>TE Connectivity\(泰科\)](#)