

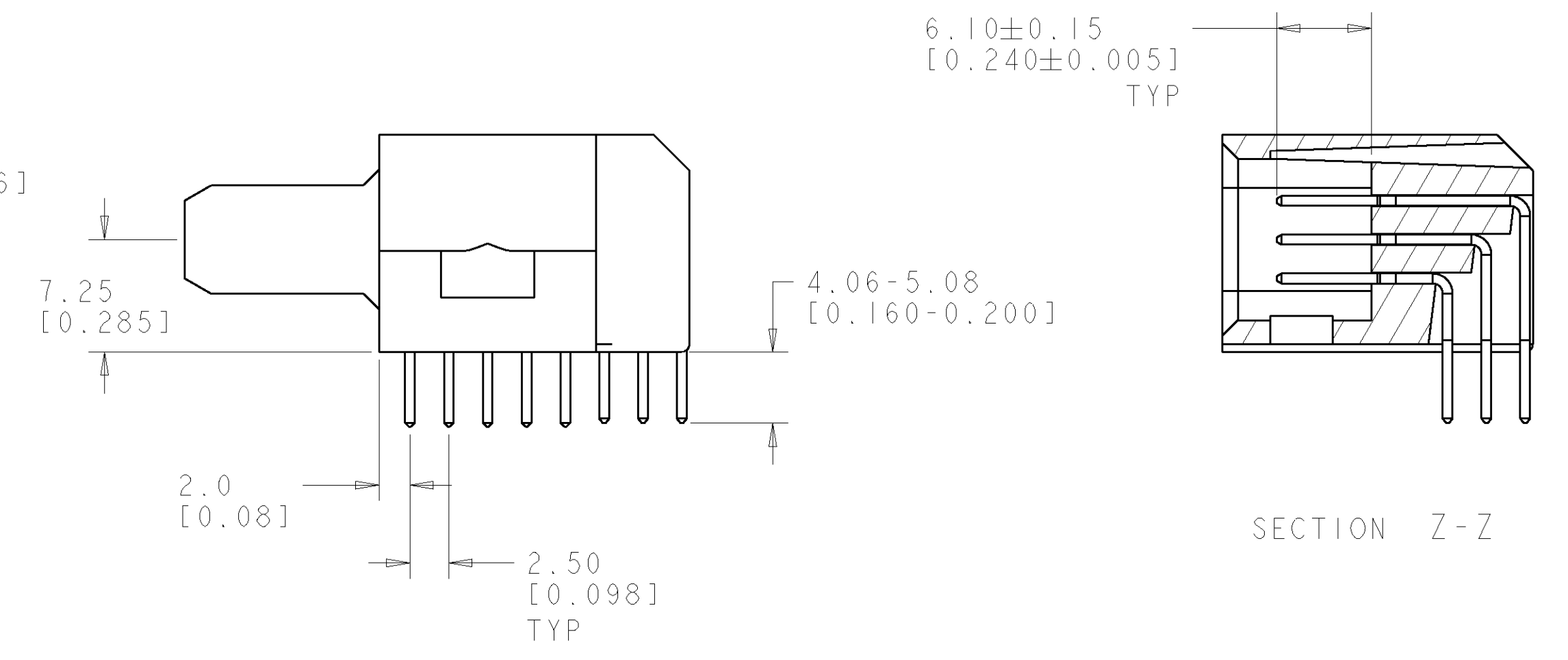
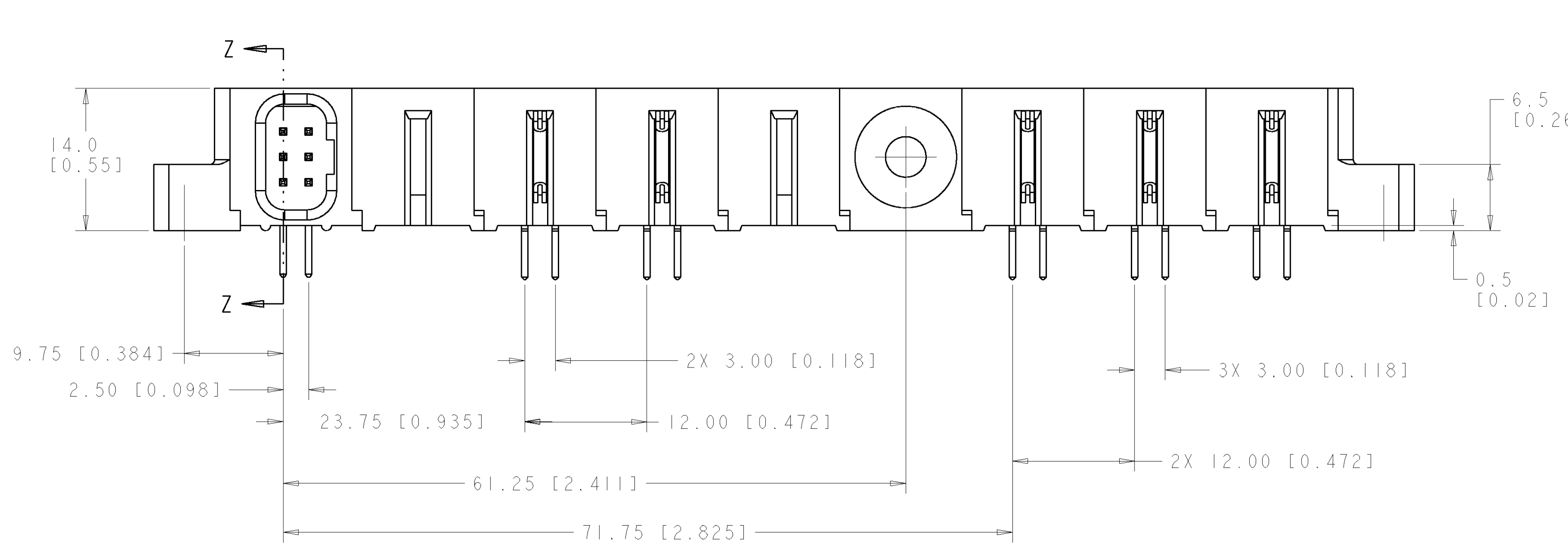
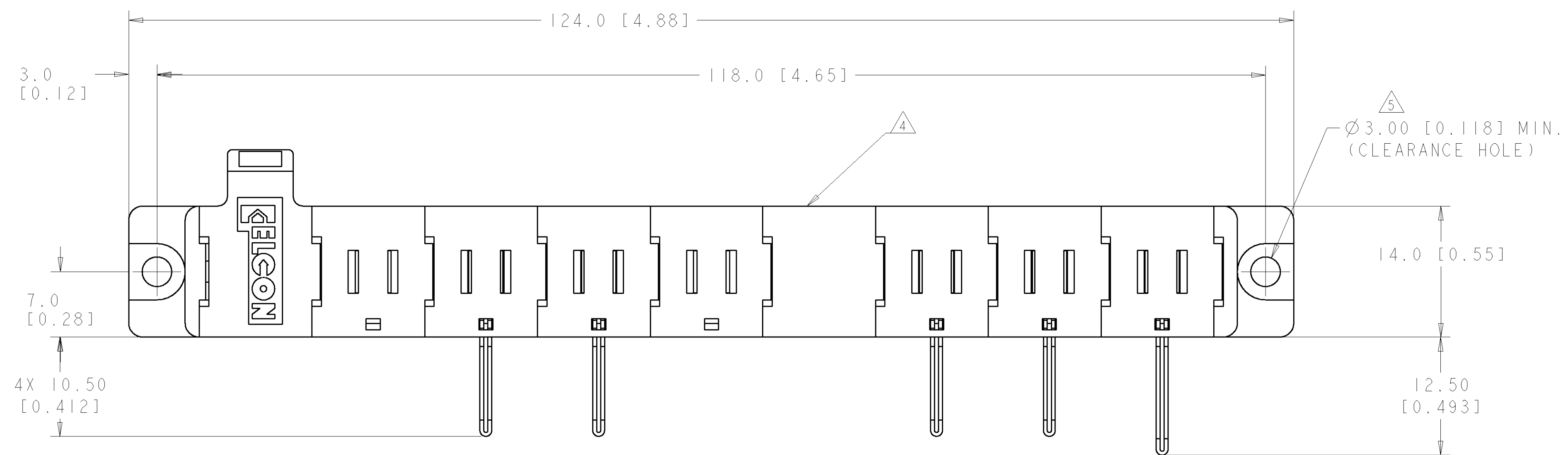
LOC	DIST	REVISIONS			
P	LTR	DESCRIPTION	DATE	DWN	APVD
A		RELEASED	30NOV2006	RG	SF

- PART NUMBER CHANGES AND OR DESIGN CHANGES AFFECTING ITEM INTERCHANGEABILITY REQUIRE PRIOR TYCO APPROVAL AND AUTHORIZATION BY REVISION TO THIS DRAWING.
- MATERIAL:
 - INSULATORS - THERMOPLASTIC, GLASS REINFORCED, COLOR: BLACK, UL94V-0 FLAMMABILITY RATED.
 - POWER CONTACTS - PHOSPHOR BRONZE ALLOY, COPPER ALLOY
 - SIGNAL CONTACTS - BRASS ALLOY
 - CROWN BANDS: BERYLLIUM COPPER
- FINISH:
 - CONTACTS - GOLD PLATE .000030" MIN. THK. OVER NICKEL .000050" MIN. THK. SOLDER TAILS, TIN .000100" MIN. THK OVER NICKEL .000050" MIN THK.

4 ITEMS PROVIDED TO THIS SPECIFICATION TO BE PERMANENTLY IDENTIFIED PER THE FOLLOWING IDENTIFIER LABEL

YEAR WEEK
 TYCO PART NO. DATE CODE (e.g. 0106)
 XXXXXXXX-X XXXX

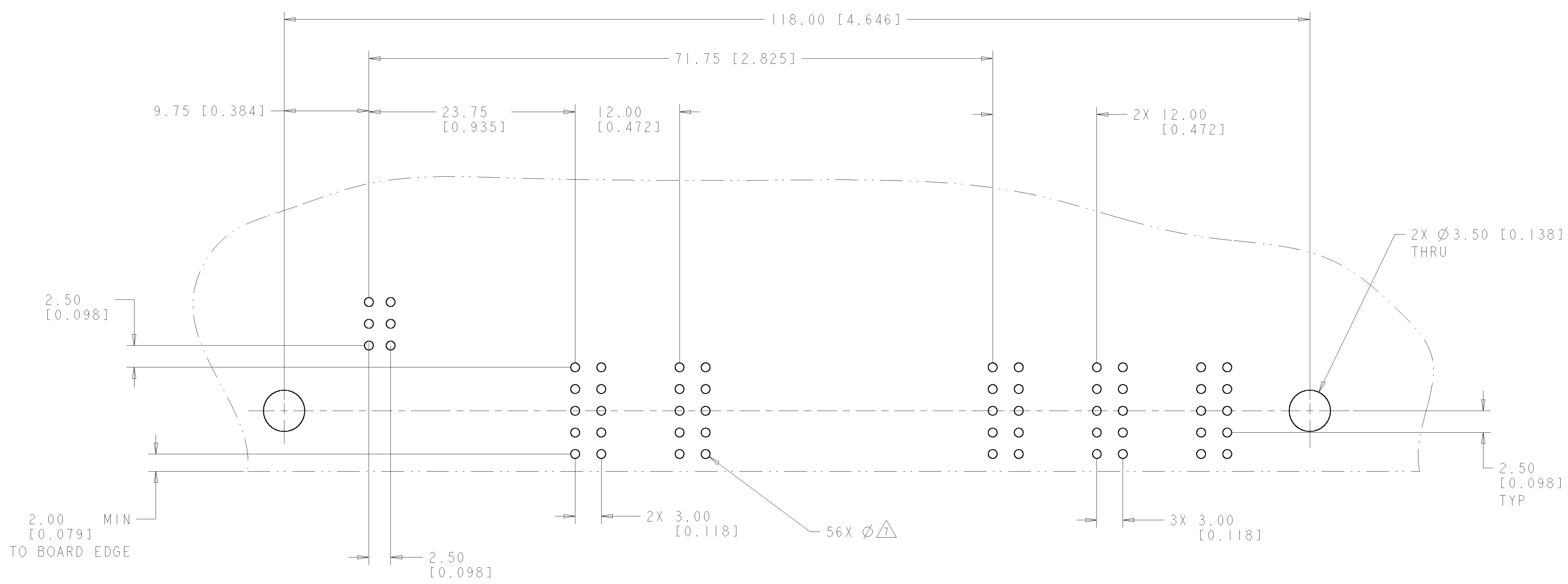
5 MOUNTING FLANGES ACCEPT M3 OR NO.4 SCREWS, (USER SUPPLIED)



ELCON FLATPAQ

AS SHOWN		6646721-1	
DESCRIPTION		PART NUMBER	
DIMENSIONS: mm [INCHES] 0 PLC ±.5 [0.020] 1 PLC ±.5 [0.020] 2 PLC ±.25 [0.010] 3 PLC ±.25 [0.010] 4 PLC ±.25 [0.010] ANGLES ±.5		TOLERANCES UNLESS OTHERWISE SPECIFIED: 0 PLC ±.5 [0.020] 1 PLC ±.5 [0.020] 2 PLC ±.25 [0.010] 3 PLC ±.25 [0.010] 4 PLC ±.25 [0.010] ANGLES ±.5	
MATERIAL		FINISH	
CUSTOMER DRAWING		SCALE 3:1 SHEET 1 OF 3 REV A	
DWN R. GRZYBOWSKI 28NOV06 ENR S. FLICKINGER 28NOV06 APVD S. FLICKINGER 28NOV06		Tyco Electronics Harrisburg, PA 17105-3608	
NAME RIGHT ANGLE PIN CONNECTOR SOLDER TAILS AND LAYOUT		SIZE CAGE CODE DRAWING NO. RESTRICTED TO A 100779 C=6646721	

LOC	DIST	REVISIONS					
GP	00	P	LTR	DESCRIPTION	DATE	DRN	APVD
-	-	-	-	SEE SHEET 1	-	-	-



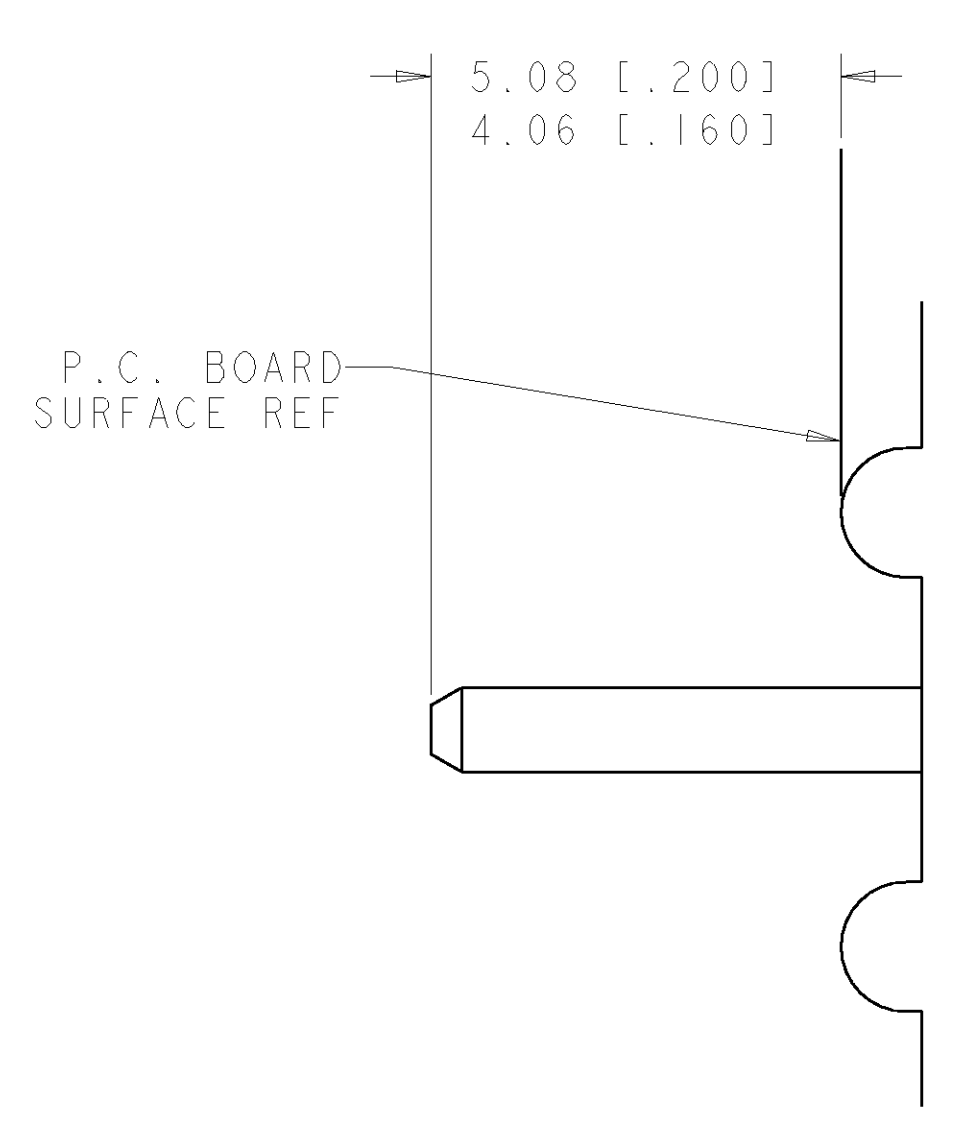
PRINTED CIRCUIT LAYOUT
 COMPONENT SIDE

CONNECTOR	CATALOG MODULE #	QTY	SIZE NO.	CONTACT QTY	MATING PIN	MAX. CURRENT (PER CONTACT)	CONTACT SPACING	VOLTAGE RATING	
PIN	FPI21	4	8	4	1.25 X 7.00 [.049 X .276]	35 amps	12.00 [.472]	600	
	FPI20	2	-	-	BLANK MODULE				
	FPI22	1	8	1	1.25 X 7.00 [.049 X .276]	35 amps	12.00 [.472]	600	
	FP314	1	22	6	.64 SO. [.025]	3 amps	2.50 [.0984]	125	
	FP0506	1	RIGHT ANGLE GUIDE SOCKET						
	FP0500	1	LEFT MOUNTING FLANGE						
	FP0501	1	RIGHT MOUNTING FLANGE						

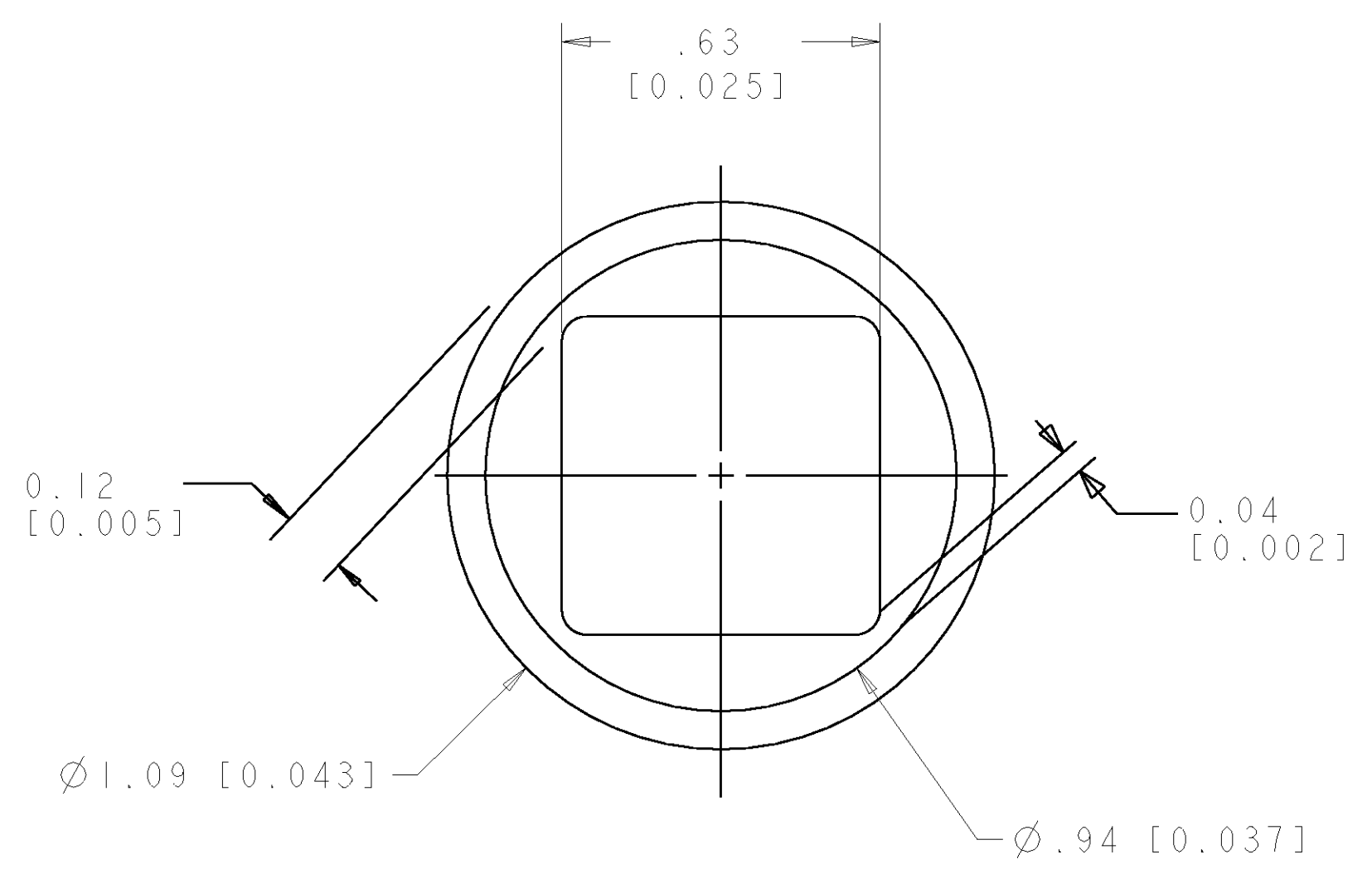
DIMENSIONS: mm [INCHES]		TOLERANCES UNLESS OTHERWISE SPECIFIED: 0 PLC ±.5 [.020] 1 PLC ±.5 [.020] 2 PLC ±.25 [.010] 3 PLC ±.25 [.010] 4 PLC ±.25 [.010] ANGLES ±.5		DWN B. GRZYBOWSKI 28NOV06 CHK S. FLICKINGER 28NOV06 APVD S. FLICKINGER 28NOV06		NAME RIGHT ANGLE PIN CONNECTOR SOLDER TAILS AND LAYOUT	
MATERIAL - FINISH -		WEIGHT - CUSTOMER DRAWING		SIZE CAGE CODE DRAWING NO A100779C-6646721		RESTRICTED TO SCALE 3:1 SHEET 2 OF 3 REV A	

ELCON FLATPAQ

LOC	DIST	REVISIONS					
		P.	LTR	DESCRIPTION	DATE	DWN	APVD
GP	00	-	-	SEE SHEET 1	-	-	-



6. SOLDER TAIL DETAIL
SCALE 10 : 1



⚠ SOLDER TERMINATION AREA
 SCALE 40:1
 RECOMMENDED PRINTED CIRCUIT HOLE
 SOLDER HOLE
 FINISHED HOLE: Ø1.02 [.040] ±.08 [.003]
 DRILLED HOLE: Ø1.15 [.0453] ±.013 [.0005]
 COPPER PLATE: .025 [.0010] MIN
 TIN PLATE: .008 [.0003] MIN. (PER SURFACE)

ELCON FLATPAQ

<small>THE DIMENSIONS IN CONDUCTIVE METERS FOR THIS PRODUCT ARE DEFINED BY THE TYCO ELECTRONICS CORPORATION. IT IS THE BUYER'S RESPONSIBILITY TO CONTACT THE TYCO ELECTRONICS CORPORATION FOR THE LATEST REVISION.</small>		DWN: B. GRZYBOWSKI CHK: S. FLICKINGER APVD: S. FLICKINGER	28NOV06 28NOV06 28NOV06	tyco Electronics Tyco Electronics Harrisburg, PA 17105-3608
DIMENSIONS: mm [INCHES]	TOLERANCES UNLESS OTHERWISE SPECIFIED: 0 PLC ±. 1 PLC ±.5 [.020] 2 PLC ±.25 [.010] 3 PLC ±. 4 PLC ±. ANGLES ±.5	NAME: S. FLICKINGER PRODUCT SPEC: APPLICATION SPEC:	SIZE: A CAGE CODE: 00779 DRAWING NO: C=6646721	RESTRICTED TO:
MATERIAL: -	FINISH: -	WEIGHT: -	CUSTOMER DRAWING	SCALE: 3:1 SHEET: 3 OF 3 REV: A

单击下面可查看定价，库存，交付和生命周期等信息

[>>TE Connectivity\(泰科\)](#)