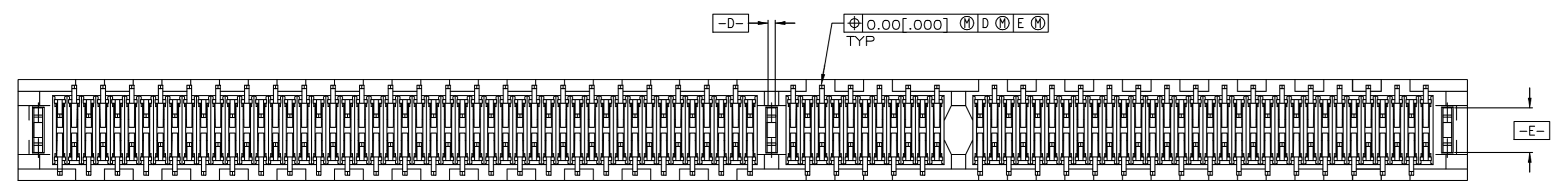
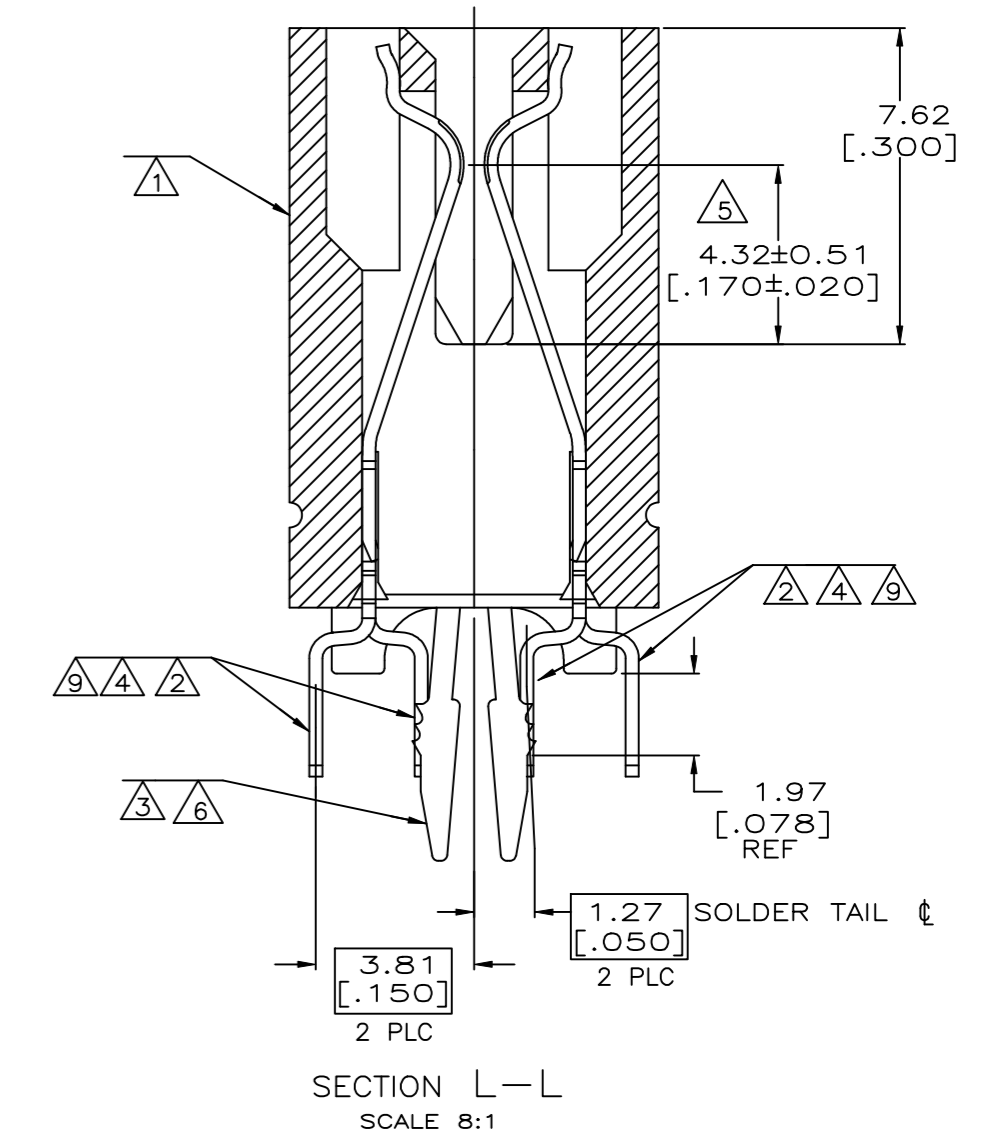
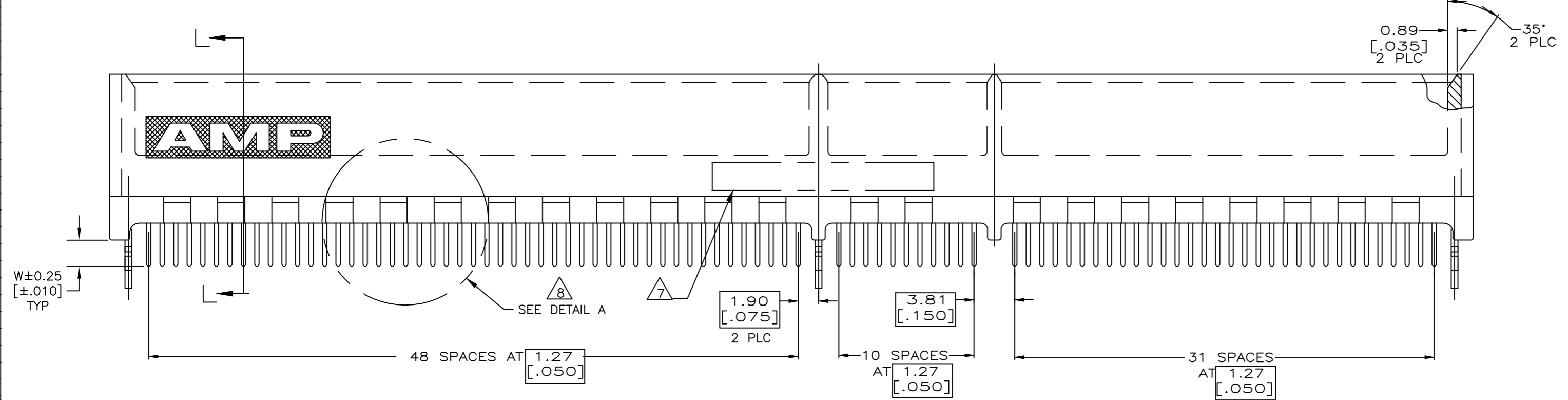
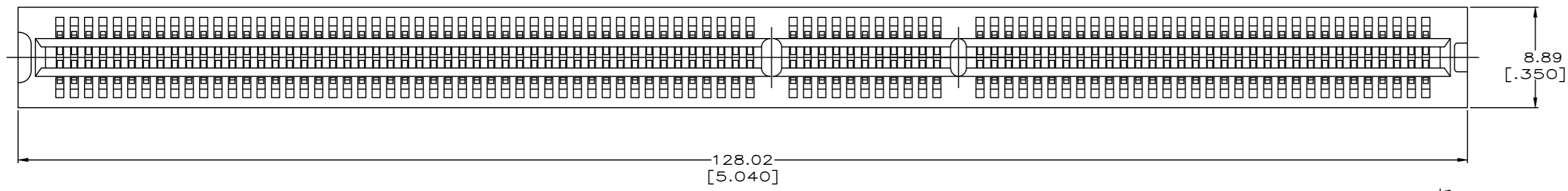


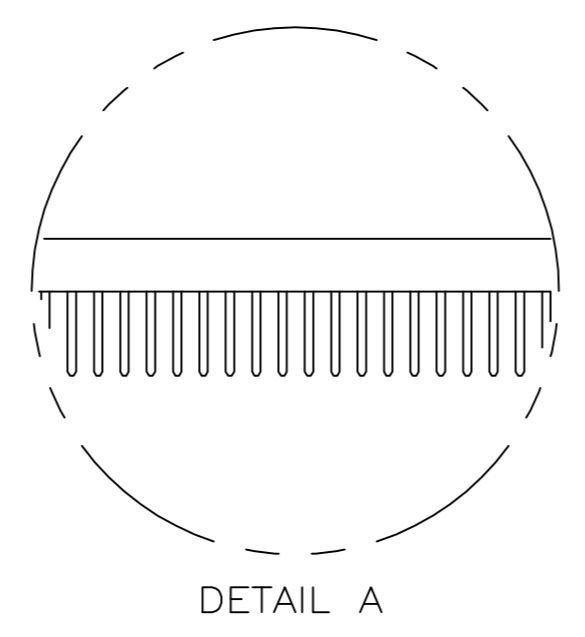
THIS DRAWING IS UNPUBLISHED. RELEASED FOR PUBLICATION. BY TYCO ELECTRONICS CORPORATION. ALL RIGHTS RESERVED.

LOC	DIST	REVISIONS					
GP	00	P	LTR	DESCRIPTION	DATE	DWN	APVD
		D		ECO-18-017215	03DEC2018	FL	HL



SEE SHEET 2 FOR HOLE PATTERN

- ① HOUSING: HIGH TEMPERATURE THERMOPLASTIC. COLOR - NATURAL
- ② CONTACT: PHOSPHOR BRONZE.
- ③ METAL HOLD DOWN: BRASS
- ④ CONTACT FINISH: .001269[.000050] MIN NICKEL ALL OVER. .000757[.000030] GOLD OVER NICKEL IN CONTACT AREA. .002537[.000100] MIN TIN OVER NICKEL ON SOLDER TAILS.
- ⑤ DISTANCE FROM CONTACT POINT TO BOTTOM OF CARD SLOT.
- ⑥ METAL HOLD DOWN FINISH: .001269[.000050] MIN NICKEL ALL OVER, .003809[.000150] MIN TIN ALL OVER.
- ⑦ AMP PART NUMBER, DATE CODE AND CSA LOGO MARKED IN APPROXIMATE LOCATION SHOWN.
- ⑧ CORED OR SOLID SIDE WALLS ARE AT DISCRETION OF AMP INCORPORATED.
- ⑨ CONTACT FINISH: .001269[.000050] MIN NICKEL ALL OVER. .000757[.000030] GOLD OVER NICKEL IN CONTACT AREA. .0000254[.000001] MIN GOLD FLASH OVER NICKEL ON SOLDER TAILS.

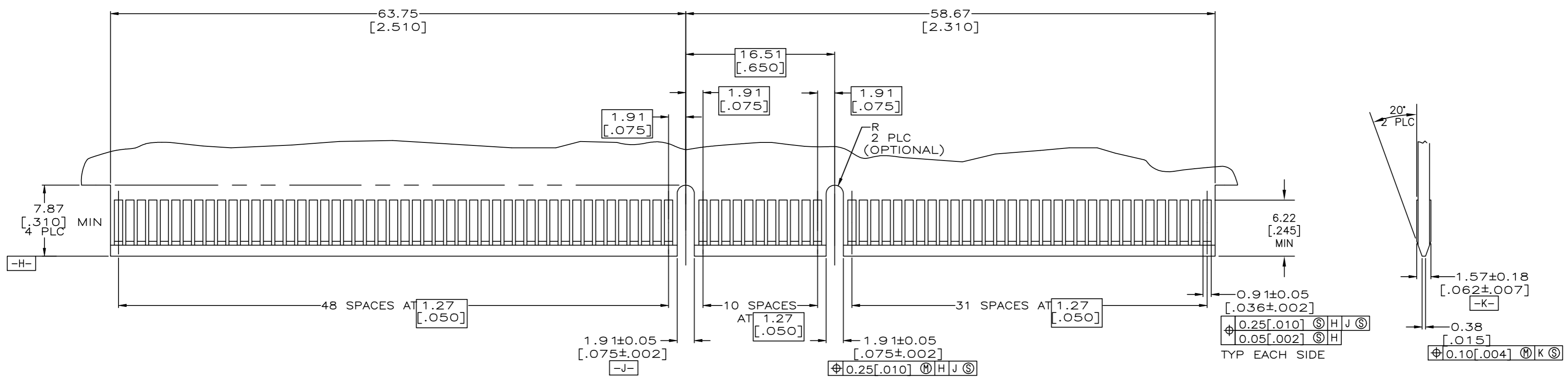
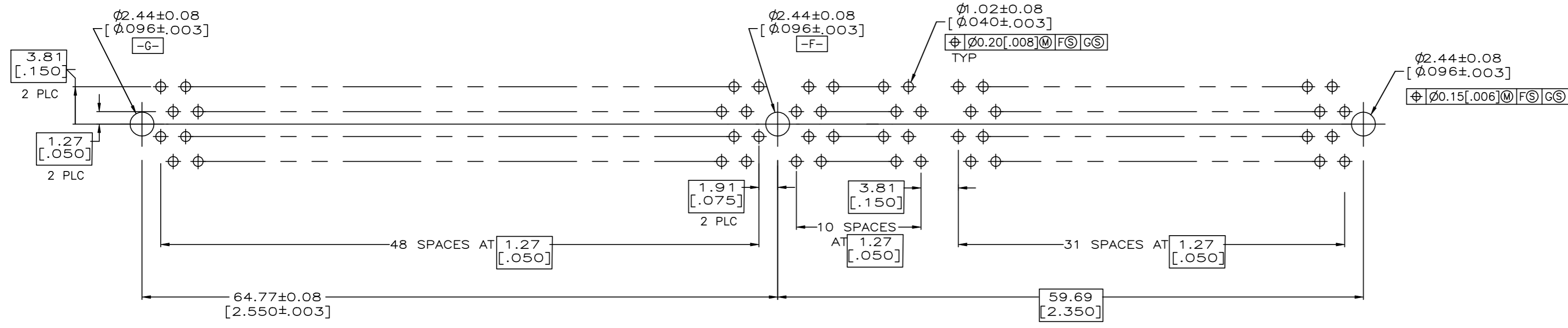


⑨	3.18 [.125]	1658305-2
④	3.18 [.125]	1658305-1
CONTACT FINISH		NUMBER
W		

THIS DRAWING IS A CONTROLLED DOCUMENT.		DWN: D. FAROLE 02/03/03	Tyco Electronics Corporation	
DIMENSIONS: INCHES		DR: S. BURKHOLDER 02/04/03	Middletown, PA 17057	
TOLERANCES UNLESS OTHERWISE SPECIFIED:		APVD: -	NAME: -	
0 PLC ± -	1 PLC ± -	PRODUCT SPEC: 108-14034		
2 PLC ± .01	3 PLC ± .005	APPLICATION SPEC: 114-26012		
4 PLC ± -	ANGLES FINISH ± -	SIZE: A1 CAGE CODE: 00779 DRAWING NO: C=1658305		
MATERIAL: ① ② ③ ④ ⑤ ⑥		WEIGHT: -		
THRU - ⑥		CUSTOMER DRAWING		
		SCALE: 4:1		SHEET 1 OF 2 REV D

THIS DRAWING IS UNPUBLISHED. RELEASED FOR PUBLICATION
 BY TYCO ELECTRONICS CORPORATION. ALL RIGHTS RESERVED.

LOC		DIST		REVISIONS			
P	LWR	DESCRIPTION	DATE	OWN	APPD		
-	-	SEE SHEET 1	-	-	-	-	-



RECOMMENDED CONNECTOR MOUNTING HOLE PATTERN
(CONNECTOR SIDE SHOWN)

RECOMMENDED MATING BOARD EDGE CONFIGURATION

THIS DRAWING IS A CONTROLLED DOCUMENT.		OWN D. FAROLE 02/03/03	Tyco Electronics Corporation Middletown, PA 17057
DIMENSIONS: INCHES		CHK S. BURKHOLDER 02/04/03	
DIMENSIONS: INCHES TOLERANCES UNLESS OTHERWISE SPECIFIED: 0 PLC ± - 1 PLC ± .01 2 PLC ± .005 3 PLC ± .002 4 PLC ± .001 ANGLES ± -		PRODUCT SPEC 108-14034 APPLICATION SPEC 114-26012	NAME CONNECTOR ASSEMBLY, 92 DUAL POSITION, .050 SERIES,
MATERIAL SEE SHEET 1	FINISH SEE SHEET 1	WEIGHT -	SIZE A1 CAGE CODE 00779 DRAWING NO 1658305 RESTRICTED TO - SCALE 4:1 SHEET 2 OF 2 REV D

单击下面可查看定价，库存，交付和生命周期等信息

[>>TE Connectivity\(泰科\)](#)