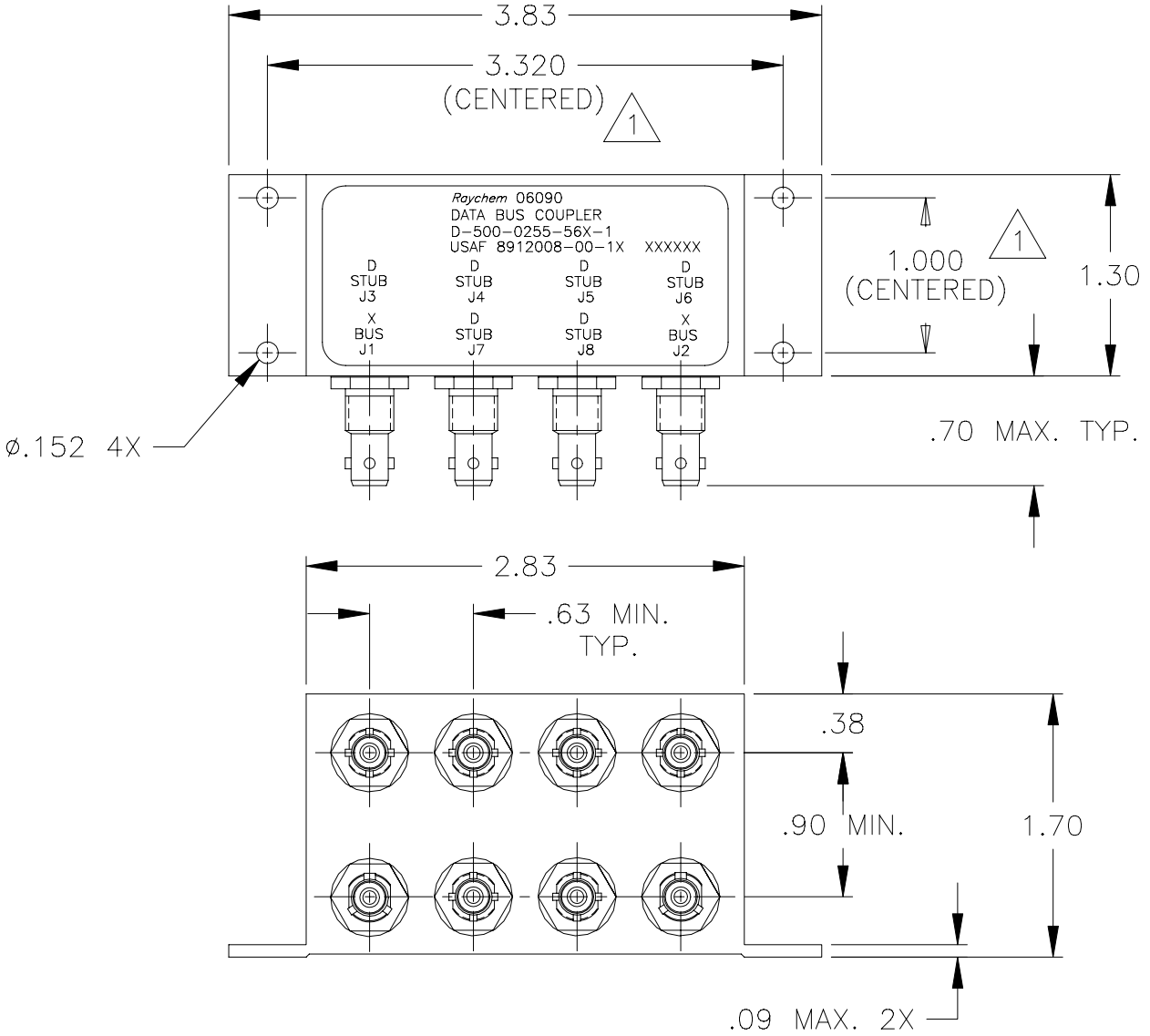


| REVISIONS | | | |
|-----------|--------------------------|---------|----------|
| LTR | DESCRIPTION | DATE | APPROVED |
| A | REVISED PER ECN# T-20030 | 95APR20 | Z. TEMAN |
| B | REVISED PER ECN# T-20327 | | |

NOTES:

1 HOLE PATTERN MACHINED SYMMETRIC WITHIN MOUNTING FLANGE.



If this document is printed it becomes uncontrolled.
Check for the latest revision.

SPECIFICATION CONTROL DRAWING

| | | | | | | | |
|--|----------|---------|-----------|--------------|--|------------------|-----|
| UNLESS OTHERWISE SPECIFIED DIMENSIONS ARE IN INCHES. METRIC DIMENSIONS ARE IN BRACKETS. DECIMALS .XXX ± .010 { — mm } .XX ± .03 { — mm } ANGLES .X — ± — WEIGHT [195g MAX] | DRAWN | J.B.K. | 91 MAY 6 | | Tyco Electronics Corporation 300 Constitution Drive Menlo Park, CA. 94025 U.S.A. | | |
| | CHECKED | | | | | | |
| | APPROVED | | | TITLE | 6 STUB, DATA BUS COUPLER WITH TRIAXIAL CONNECTOR | | |
| | APPROVED | Z.TEMAN | 91 JUN 10 | CAD NAME | 009067-1-DWG | | |
| THIRD ANGLE PROJECTION | | | | SIZE | CODE IDENT. NO. | DWG. NO. | REV |
| | | | | A | 06090 | D-500-0255-56X-1 | B |
| | | | | THIS DRAWING | | SHEET 1 OF 2 | |

1.0 INTERMATEABILITY

| CONNECTOR BOX JACK | MATING PLUG | KEY ("X") |
|-----------------------------------|-----------------------------------|--------------|
| DK-621-0434-1S (8912004-00-05) | DK-621-0433-1P (8912003-00-01) | A |
| DK-621-0436-2S (8912004-00-06) | DK-621-0435-2P (8912003-00-02) | B |
| DK-621-0438-3S (8912004-00-07) | DK-621-0437-3P (8912003-00-03) | C |
| DK-621-0440-4P (8912004-00-04) | DK-621-0439-4S (8912003-00-08) | D |

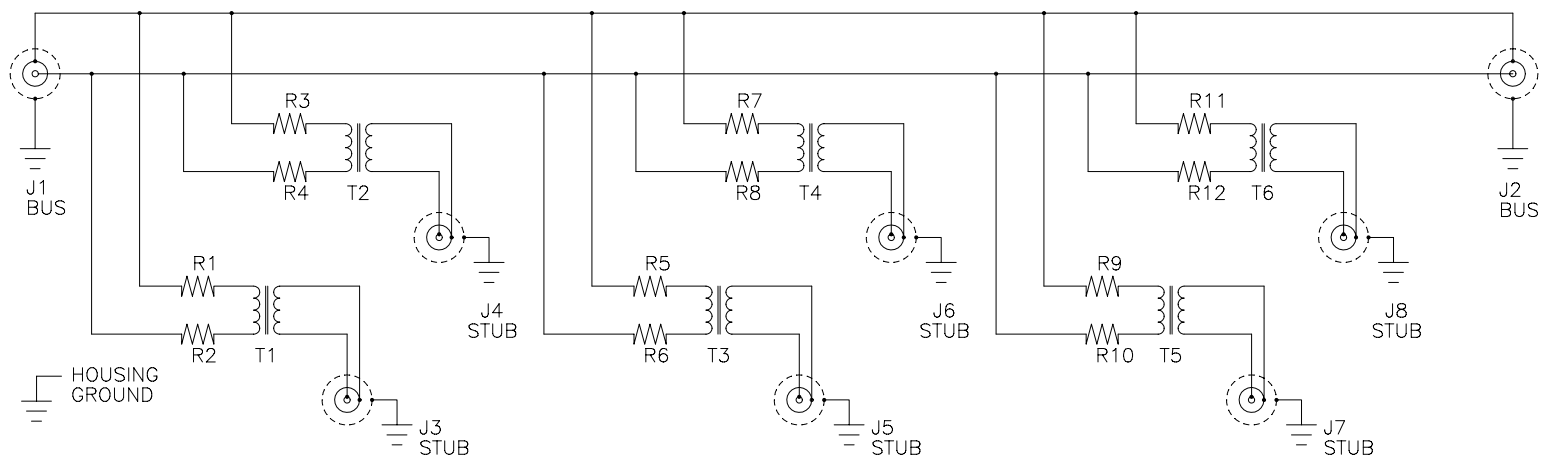
2.0 PERFORMANCE

- 2.1 THIS COUPLER IS DESIGNED TO MEET THE APPLICABLE FUNCTIONAL REQUIREMENT OF RAYCHEM SPECIFICATION D-6021 AND USAF 8912008.
- 2.2 THE COUPLER SHALL OPERATE UNDER ANY OF THE ENVIRONMENTAL SERVICE CONDITIONS AS SPECIFIED IN MIL-E-5400, CLASS ∇ UPGRADED TO 125°C CONTINUOUS OPERATION.
- 2.3 ALTITUDE: SEA LEVEL TO 75,000 FEET
- 3.0

| D-500-0255 | BUS JACKS J1 AND J2 | STUB JACKS J3 THRU J8 |
|---------------------------|---------------------------------------|---------------------------------------|
| -563-1 (8912008-00-16) | DK-621-0434-1S "A" (8912004-00-01) | DK-621-0440-4P "D" (8912004-00-08) |
| -565-1 (8912008-00-17) | DK-621-0436-2S "B" (8912004-00-02) | DK-621-0440-4P "D" (8912004-00-08) |
| -567-1 (8912008-00-18) | DK-621-0438-3S "C" (8912004-00-03) | DK-621-0440-4P "D" (8912004-00-08) |

SCHEMATIC DIAGRAM

If this document is printed it becomes uncontrolled.
Check for the latest revision.



CAD NAME: 009067-2

DRAWN

J.B.K. 91 MAY 6

SIZE

CODE IDENT. NO.

DWG. NO.

A

06090

D-500-0255-56X-1

ISSUED

Downloaded From [Oneyac.com](http://www.Oneyac.com)

THIS DRAWING

SHEET 2 OF 2

单击下面可查看定价，库存，交付和生命周期等信息

[>>TE Connectivity\(泰科\)](#)