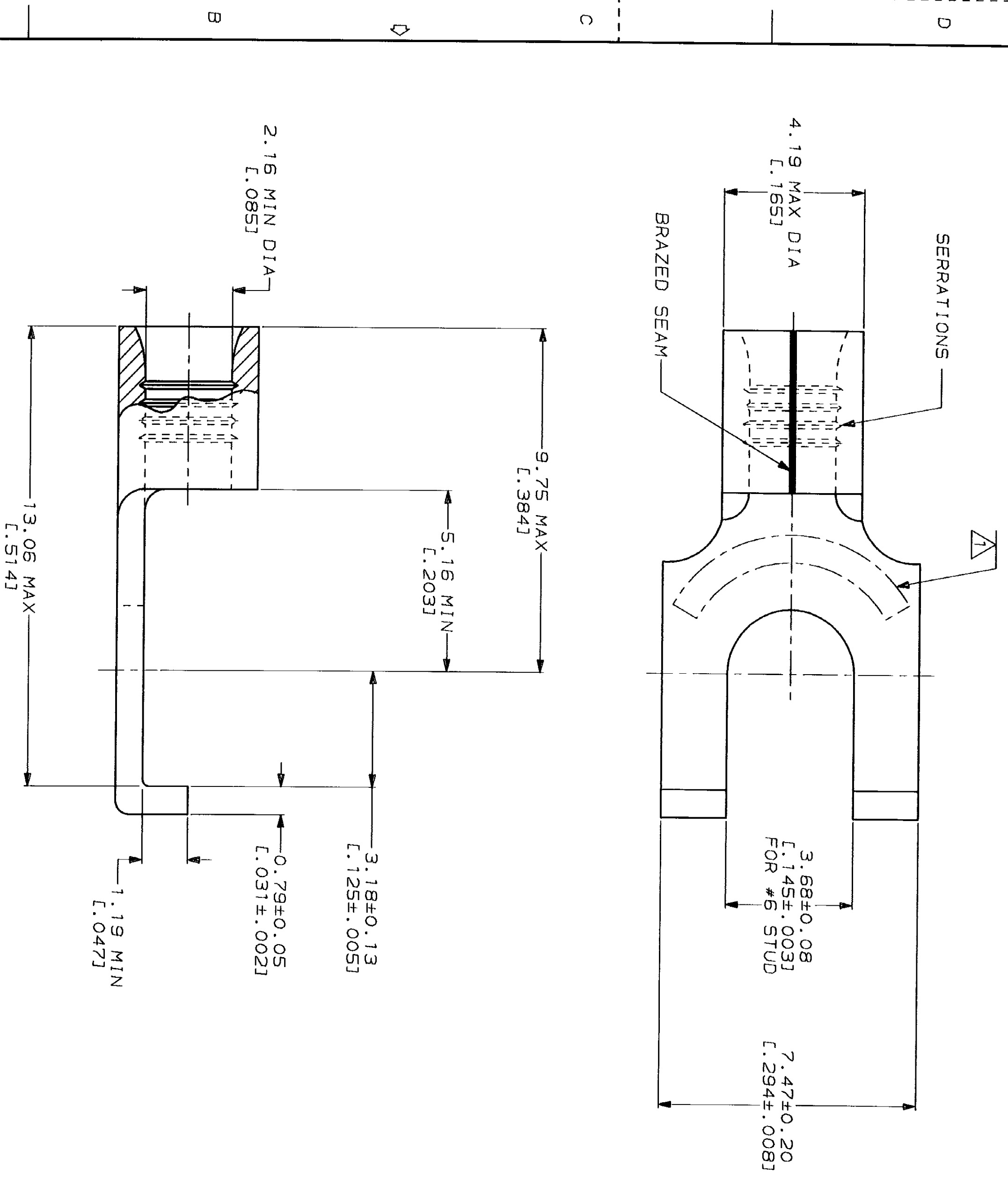


LOC	DIST	P	F	ZONE	LTR	REVISIONS	DESCRIPTION	DATE	APPRO
G	14					REV, RDRW, & SM PKG PER 0720-0040-93		4-8-93	1 st DAP

METPRIG
DIMENSIONS LISTED IN mm [INCHES]

AMP WIRE RANGE 16-14 AWG SOLID OR STRANDED	UL E13288 Listed 16-14 AWG SOLID OR STRANDED
LR7189 Certified 16-14 AWG SOLID OR STRANDED	MILITARY P/N AND CLASS NOT APPLICABLE

△ STAMP AMP 16-14* APPROX AS SHOWN



AMP INCORPORATED
CUSTOMER SERVICE SYSTEMS

FOR ADDITIONAL
PRODUCT INFORMATION OR
COPIES OF DRAWINGS
AND TECHNICAL DOCUMENTS
1-800-522-6752

FOR APPLICATION
TOOLING INFORMATION
1-800-722-1111

FOR ORDER ENTRY
1-800-526-5142

MAX RECOMMENDED OPERATING
TEMPERATURE:
170°C MAX

VOLTAGE RATING:
NOT APPLICABLE

WIRE CROSS SECTIONAL AREA RANGE:
1.04-2.62mm² [2,050-5,180] CIR MILS
SOLID OR STRANDED

THIS DRAWING IS A CONTROLLED DOCUMENT FOR AMP AND THE INFORMATION IS SUBJECT TO CHANGE AND THE INFORMATION SHOULD BE CONTACTED FOR THE LATEST REVISION.

DO NOT SCALE PRINT.
UNLESS SPECIFIED
DIMENSIONS IN mm [INCHES]
TOLERANCES ON:
2 PLC DEC # -
3 PLC DEC # -
ANGLES ± -
RATTERIAL

COPPER PER
ASTM B-152
ANNEALED

FINISH
TIN PLATE
0.00254 [0.000100] MIN
THK PER MIL-T-10727

DR 4-8-93 TA BRINKMAN	NAME	AMP AMP Incorporated Harrisburg, PA 17105-3608
CHK 4-8-93 DA PATTERSON		
APPD 4-8-93 DE MILLER		
APPD 4-8-93 JL MECKLEY		
PRODUCT SPEC		
APPLICATION SPEC		
WEIGHT		

QUANTITY	PACKAGING TYPE	PART NO
100	LOOSE PIECE, BOX	8-320855-1
5000	ON TAPE	2-320855-1
---	LOOSE PIECE	320855

TERMINAL, FLANGED
SPADE, SOLISTRAND™

SIZE
CAGE CODE
DRAWING NO
SCALE 10:1

00779
320855

单击下面可查看定价，库存，交付和生命周期等信息

[>>TE Connectivity\(泰科\)](#)