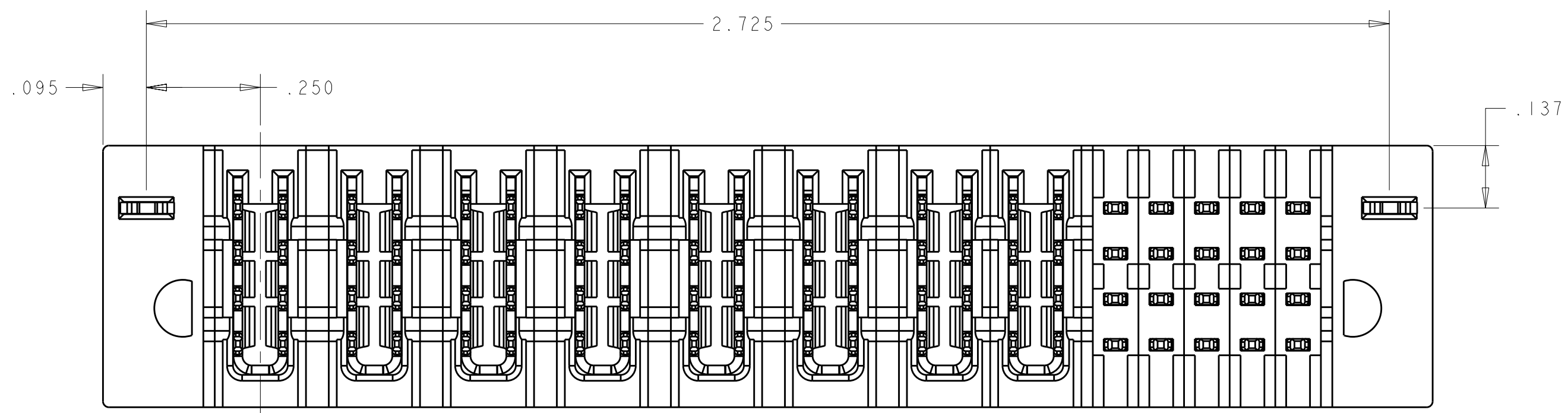
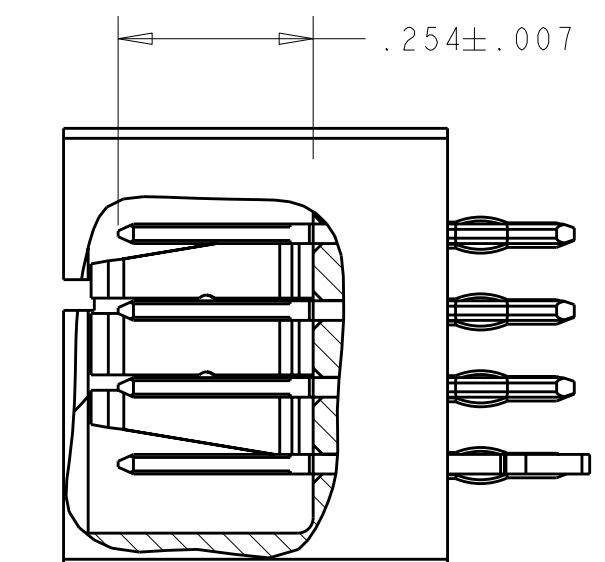
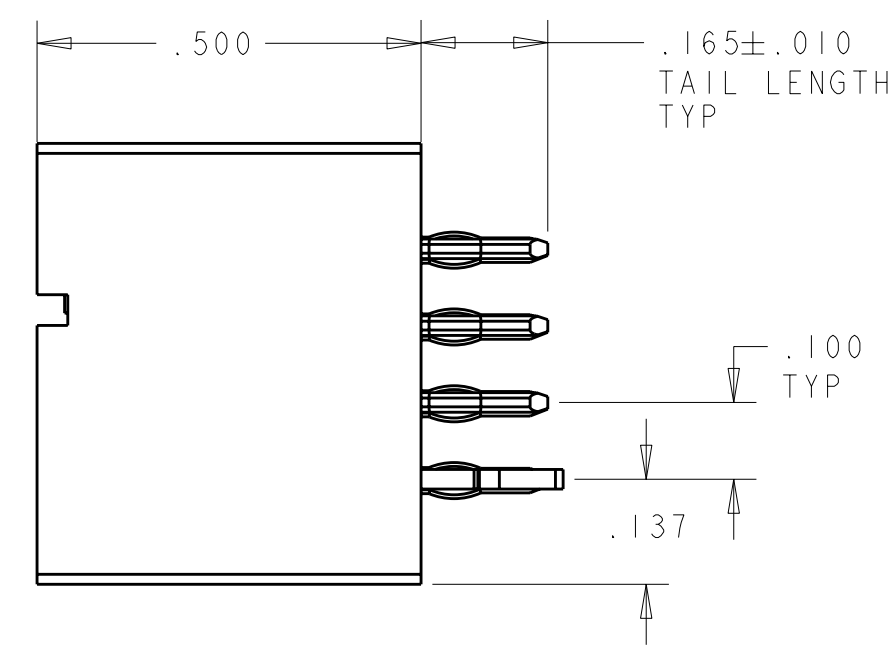
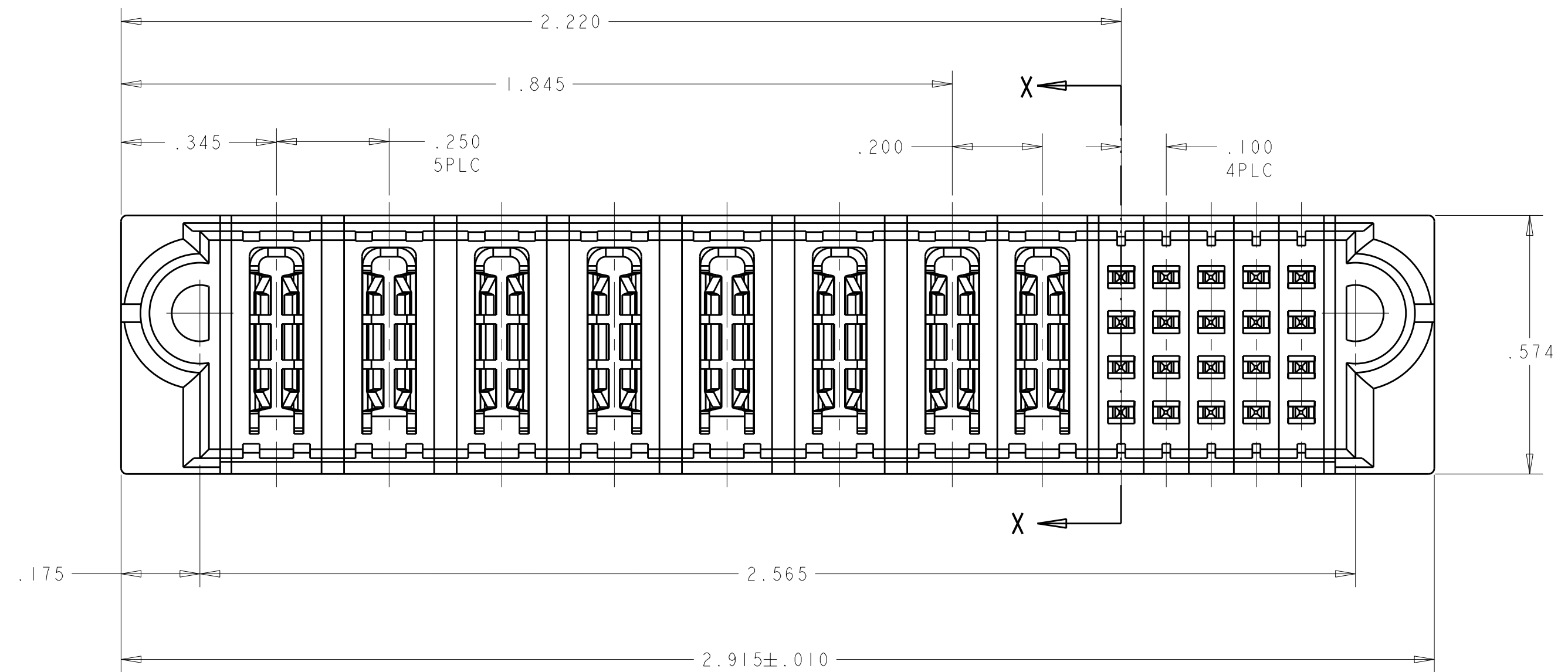
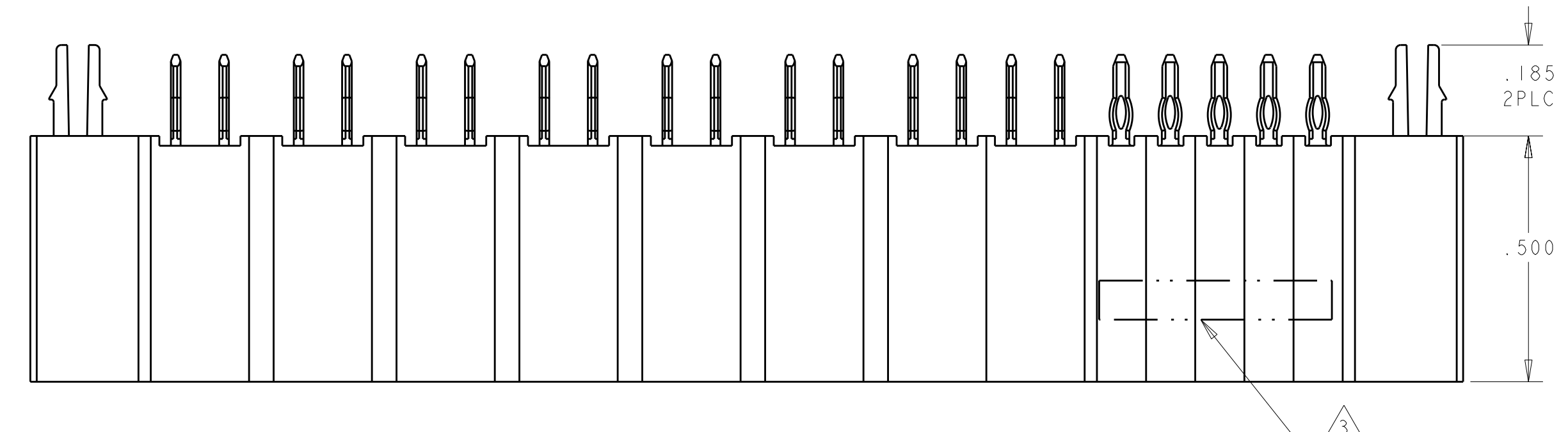


LOC	DIST	REVISIONS			
ES	00	REV	DATE	BY	APPD
		A	10JUN2009	KT	SY



- 1 HEADER HOUSING: THERMO PLASTIC, BLACK, UL94 V-0; CONTACTS AND RETENTION CLIPS: COPPER ALLOY.
- 2 PIN CONTACTS: .000030 MIN GOLD IN MATING AREA, .000100 MIN TIN ON POST AREAS, BOTH OVER .000050 MIN NICKEL. POWER CONTACTS: .000030 MIN GOLD IN MATING AREA, .000100 MIN TIN ON POST AREAS, BOTH OVER .000050 MIN NICKEL.
- 3 "AMP", PART NUMBER AND DATE CODE MARKED IN THIS AREA. PARTS UNDER 2.50" LONG MAY BE MARKED ON BOTH SIDES.
- 4 DATUM AND BASIC DIMENSIONS ESTABLISHED BY CUSTOMER.
- 5 PCB - ALL HOLE DIAMETERS ARE FINISHED HOLE SIZES.
- 6 A SEATING TOOL IS REQUIRED TO SEAT THE HEADER ON THE P.C. BOARD. PLEASE REFER TO THE 114-13038 APPLICATION SPEC.
- 7 MECHANICAL CONNECTOR KEEP OUT ZONE.



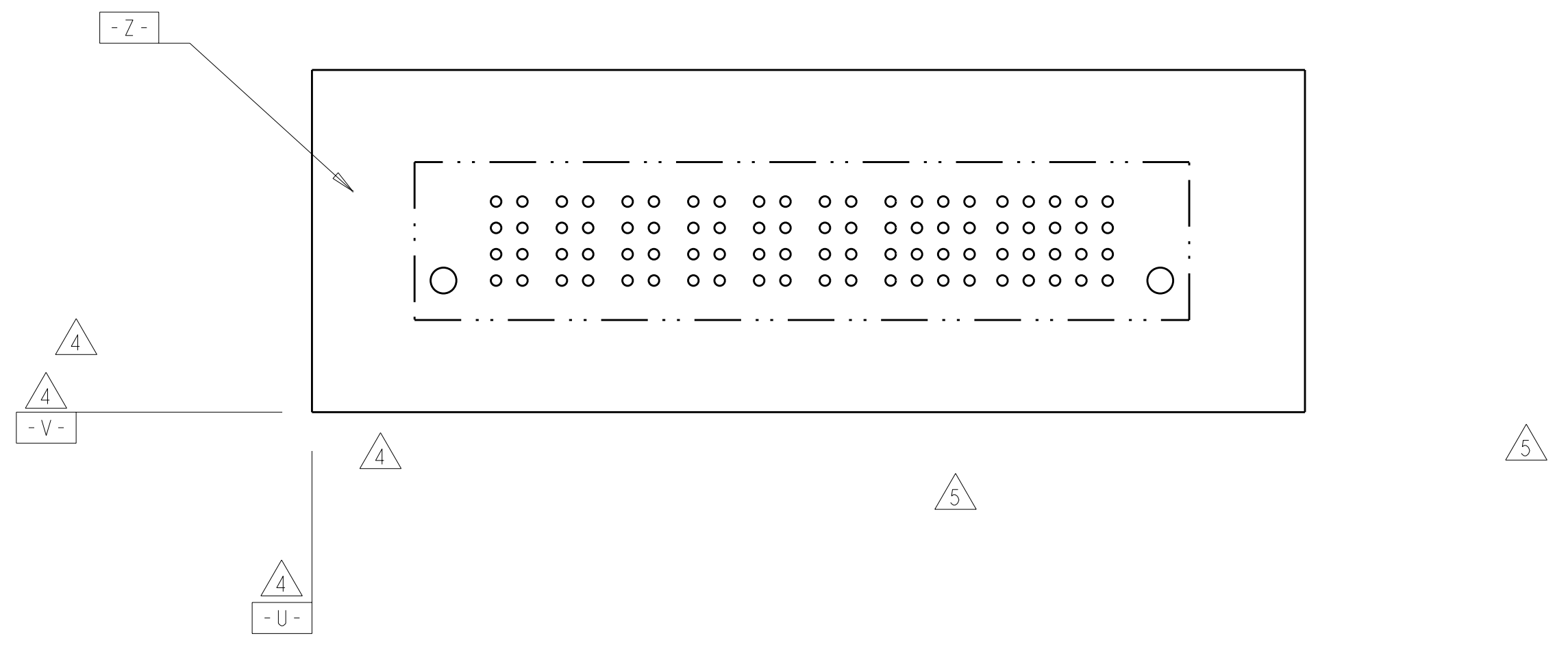
SECTION X-X  
SCALE 4:1

6P + 2HDP + 20S	6450822-1
DESCRIPTION	PART NUMBER

<small>THIS DRAWING IS UNPUBLISHED. RELEASED FOR PUBLICATION. IT IS SUBJECT TO CHANGE WITHOUT NOTICE. THE USER SHALL BE RESPONSIBLE FOR OBTAINING THE LATEST REVISIONS. DIMENSIONS ARE IN INCHES UNLESS OTHERWISE SPECIFIED.</small>		DWN: K.T. HE CHK: S. ZHAO APVD: S. YAO	10JUN2009 10JUN2009	Tyco Electronics Corporation Shanghai, P.R.China, 200233
DIMENSIONS: INCHES 	TOLERANCES UNLESS OTHERWISE SPECIFIED: 9 PLC ± 8 PLC ± 5 PLC ±.005 4 PLC ± ANGLES ±° FINISH	NAME: VERTICAL HEADER ASSEMBLY W/ SHORT END MODULES MULTI-BEAM XLE PRODUCT SPEC: 108-1973 APPLICATION SPEC: 114-13038	SIZE: A CAGE CODE: 100779 DRAWING NO: C=6450822	RESTRICTED TO: A
MATERIAL: -	FINISH: -	WEIGHT: -	CUSTOMER DRAWING	SCALE: 4:1 SHEET 1 OF 2 REV A

LOC	DIST	REVISIONS					
ES	00	P	LTB	DESCRIPTION	DATE	DWN	APVD
		-	-	SEE SHEET 1	-	-	-

PART NUMBER	ROWS	HD	POWER								SIGNAL					HD
			P1	P2	P3	P4	P5	P6	P7	P8	1	2	3	4	5	
6450822-1	D	HD	VM	VM	VM	VM	VM	VM	VM	VM	EV	EV	EV	EV	EV	
	C		VM	VM	VM	VM	VM	VM	VM	EV	EV	EV	EV	EV		
	B		VM	VM	VM	VM	VM	VM	VM	EV	EV	EV	EV	EV		
	A		VM	VM	VM	VM	VM	VM	VM	EV	EV	EV	EV	EV		
6P + 2HDP + 20S																



HOLD DOWN	HD
SIGNAL CONTACT STD	EV
POWER CONTACT	VM
DESCRIPTION	CODE

<small>THIS DRAWING IS UNPUBLISHED. RELEASED FOR PUBLICATION. THIS IS SUBJECT TO CHANGE WITHOUT NOTICE AND WITHOUT OBLIGATION. SHOULD BE CONTACTED FOR THE LATEST REVISION.</small>		DWN: RT.HE 10JUN2009 CHK: S.ZHAO 10JUN2009 APVD: S.YAO	Tyco Electronics Corporation Shanghai, P.R.China, 200233
DIMENSIONS: INCHES	TOLERANCES UNLESS OTHERWISE SPECIFIED: 0 PLC ± 1 PLC ± 2 PLC ± 3 PLC ±.005 4 PLC ± ANGLES ±2° FINISH	NAME: VERTICAL HEADER ASSEMBLY W/ SHORT END MODULES MULTI-BEAM XLE PRODUCT SPEC: 108-1973 APPLICATION SPEC: 114-13038 WEIGHT: - CUSTOMER DRAWING	SIZE: A   00779   C=6450822 SCALE: 4:1   SHEET: 2 OF 2   REV: A

单击下面可查看定价，库存，交付和生命周期等信息

[>>TE Connectivity\(泰科\)](#)