

THIS DRAWING IS UNPUBLISHED. RELEASED FOR PUBLICATION 20

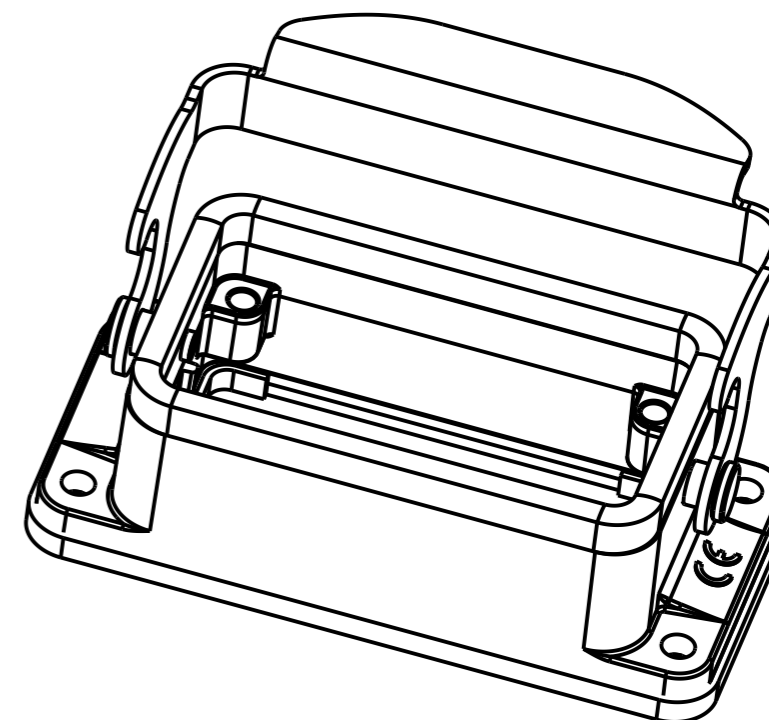
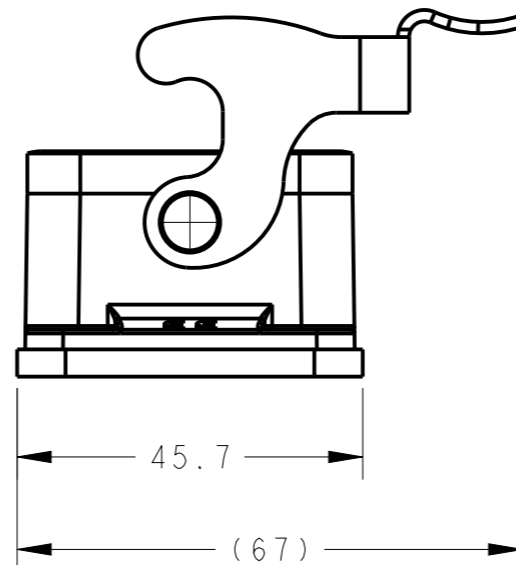
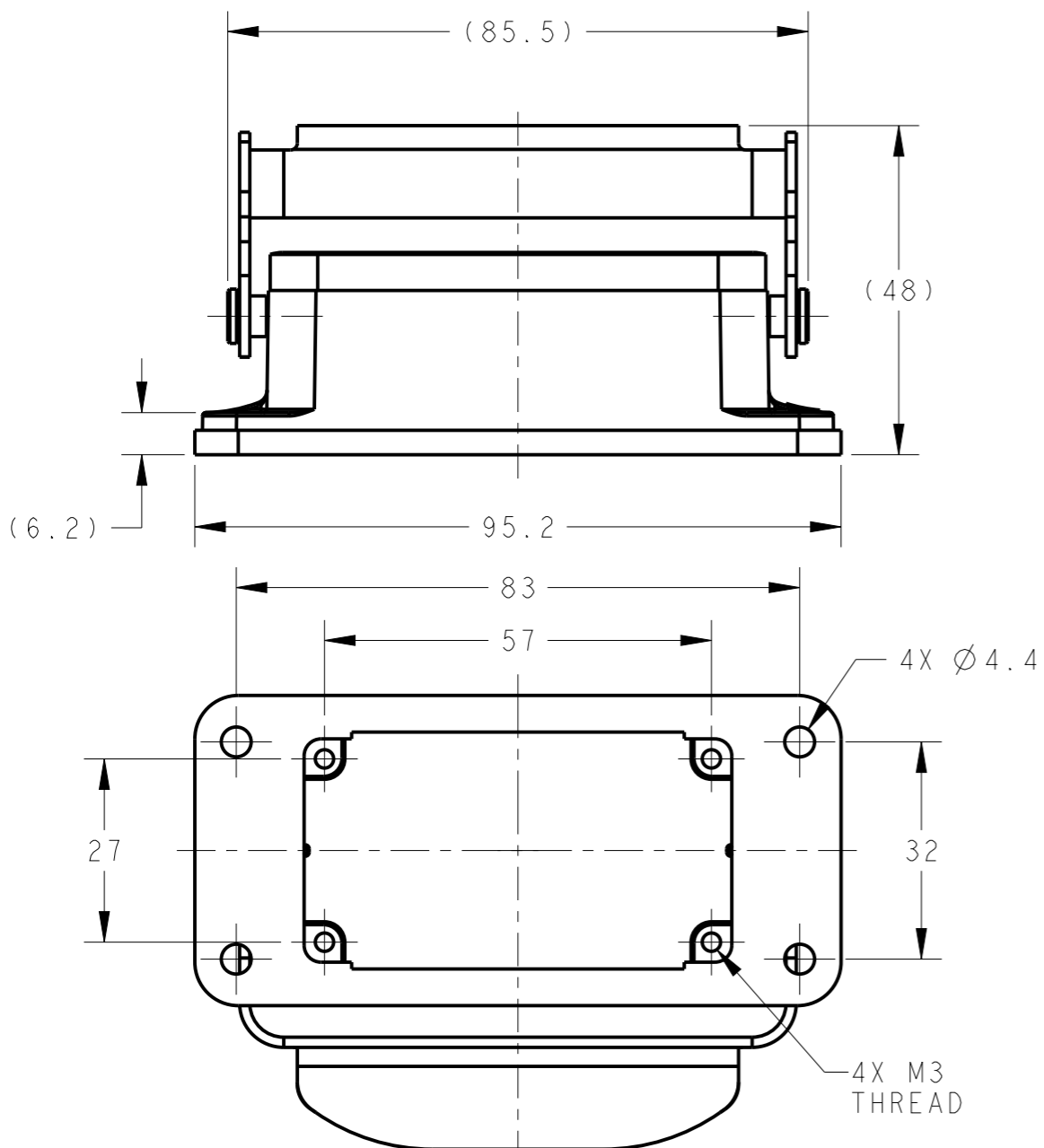
© COPYRIGHT 20 BY - ALL RIGHTS RESERVED.

REVISIONS

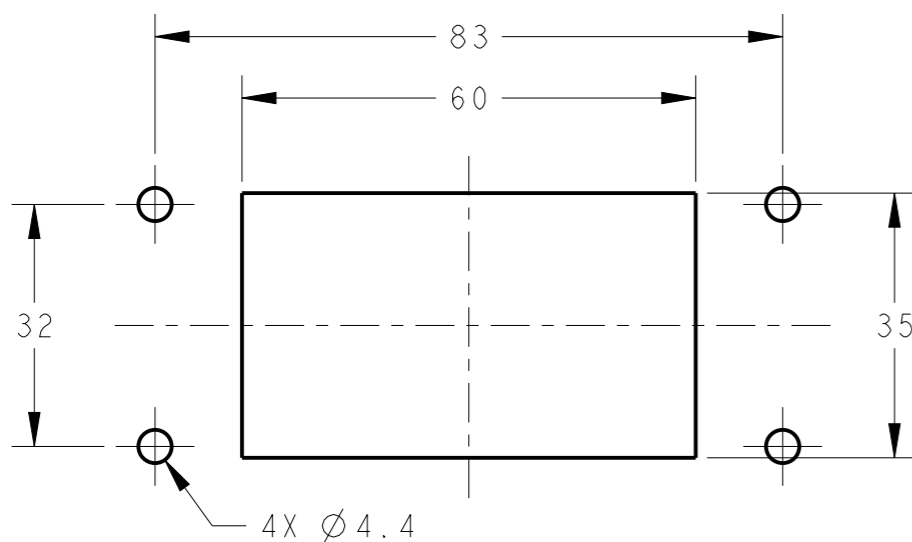
P	LTR	DESCRIPTION	DATE	DWN	APVD
	A	INITIAL	25JUN2015	DW	CW
	B	ECR-20-008181	07JUL2020	WQR	CW

NOTES:
 1. TECHNICAL CHARACTERISTICS:
 HOUSING MATERIAL: DIE CAST ALUMINIUM ALLOY
 SURFACE: POWDER COATED, GREY
 DEGREE OF PROTECTION: IP65 (MATED)

注释:
 1. 技术参数:
 下壳材料: 铝合金
 表面处理: 粉末涂层, 灰色
 防护等级: IP65(配合)



PANEL CUT OUT



T1500102000-000	H10B-AGS-LB	H10B HOUSING, BULKHEAD MOUNTED, STAINLESS STEEL SINGLE LOCKING, POWDER COATED, GREY H10B下壳, 开孔安装, 不锈钢单扣, 灰色粉末喷涂
PART NUMBER 料号	PART DESCRIPTION 描述	

THIS DRAWING IS A CONTROLLED DOCUMENT.		DWN 25JUN2015 David Wang	STE TE Connectivity	
DIMENSIONS: mm		CHK 25JUN2015 Chris Wang		
TOLERANCES UNLESS OTHERWISE SPECIFIED:		APVD 25JUN2015 Xiang Xu	NAME H10B-AGS-LB	
0 PLC ±-		PRODUCT SPEC 108-137013	SIZE	
1 PLC ±-		APPLICATION SPEC 114-137013	CAGE CODE	
2 PLC ±-		WEIGHT	DRAWING NO	
3 PLC ±-		Customer Drawing	RESTRICTED TO	
4 PLC ±-			A300779	
ANGLES ±-			SCALE 1:1	
FINISH			SHEET 1 OF 1	
MATERIAL			REV B	

单击下面可查看定价，库存，交付和生命周期等信息

[>>TE Connectivity\(泰科\)](#)