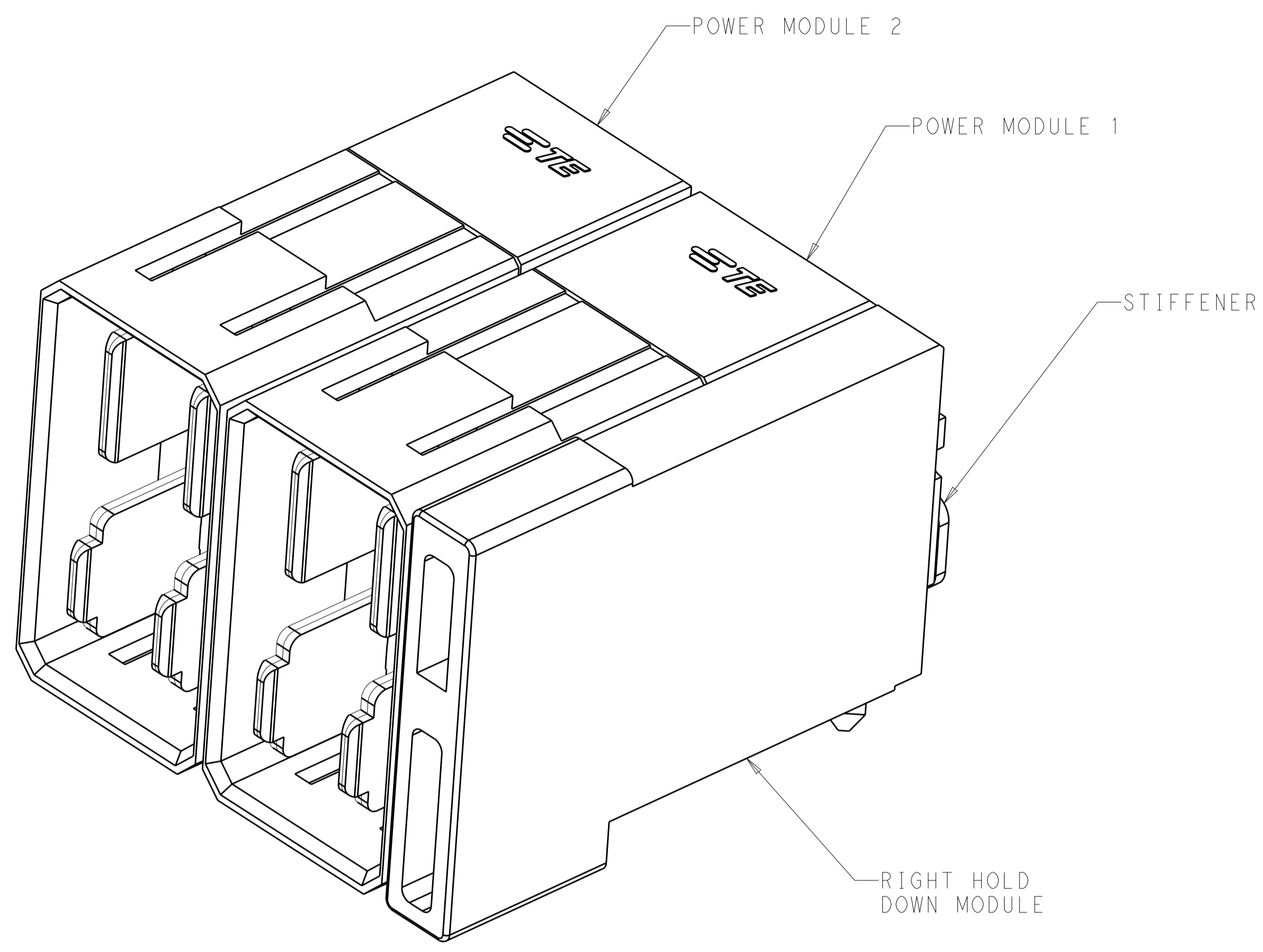


| LOC | | DIST | | REVISIONS | | | |
|-----|----|------|-----|-----------------------|-----------|-----|------|
| GP | 00 | P | LTN | DESCRIPTION | DATE | DWN | APVD |
| | | A | | INITIAL RELEASE | 25MAY2012 | LW | AC |
| | | A1 | | REV PER ECR-12-010636 | 19JUN2012 | LW | AC |



HEADER WITH RIGHT HOLD DOWN MODULE

| OBSOLETE | TIN + LEAD | DIMENSIONS (mm) | | | | DIM A | NUMBER OF POWER MODULE | PART NUMBER |
|-----------|-------------|-----------------|------|------|------|-------|------------------------|-------------|
| | | P4 | P3 | P2 | P1 | | | |
| | | 6.90 | 5.70 | 6.90 | 5.70 | 26.40 | 2X | 7-2180490-0 |
| | | 6.90 | 5.70 | 5.70 | 6.90 | 26.40 | 2X | 6-2180490-9 |
| | | 6.90 | 5.70 | 5.70 | 5.70 | 26.40 | 2X | 6-2180490-8 |
| | | 6.90 | 5.70 | 6.90 | 6.90 | 26.40 | 2X | 6-2180490-7 |
| | | 5.70 | 6.90 | 6.90 | 5.70 | 26.40 | 2X | 6-2180490-6 |
| | | 5.70 | 6.90 | 5.70 | 6.90 | 26.40 | 2X | 6-2180490-5 |
| | | 5.70 | 6.90 | 5.70 | 5.70 | 26.40 | 2X | 6-2180490-4 |
| | | 5.70 | 6.90 | 6.90 | 6.90 | 26.40 | 2X | 6-2180490-3 |
| | | 5.70 | 5.70 | 6.90 | 5.70 | 26.40 | 2X | 6-2180490-2 |
| | | 5.70 | 5.70 | 5.70 | 6.90 | 26.40 | 2X | 6-2180490-1 |
| | | 5.70 | 5.70 | 5.70 | 5.70 | 26.40 | 2X | 6-2180490-0 |
| | | 5.70 | 5.70 | 6.90 | 6.90 | 26.40 | 2X | 5-2180490-9 |
| | | 6.90 | 6.90 | 6.90 | 5.70 | 26.40 | 2X | 5-2180490-8 |
| | | 6.90 | 6.90 | 5.70 | 6.90 | 26.40 | 2X | 5-2180490-7 |
| | | 6.90 | 6.90 | 5.70 | 5.70 | 26.40 | 2X | 5-2180490-6 |
| | | 6.90 | 6.90 | 6.90 | 6.90 | 26.40 | 2X | 5-2180490-5 |
| | | N/A | N/A | 6.90 | 5.70 | 15.00 | 1X | 5-2180490-4 |
| | | N/A | N/A | 5.70 | 6.90 | 15.00 | 1X | 5-2180490-3 |
| | | N/A | N/A | 5.70 | 5.70 | 15.00 | 1X | 5-2180490-2 |
| | | N/A | N/A | 6.90 | 6.90 | 15.00 | 1X | 5-2180490-1 |
| | TRAY | 6.90 | 5.70 | 6.90 | 5.70 | 26.40 | 2X | 2-2180490-0 |
| | | 6.90 | 5.70 | 5.70 | 6.90 | 26.40 | 2X | 1-2180490-9 |
| | | 6.90 | 5.70 | 5.70 | 5.70 | 26.40 | 2X | 1-2180490-8 |
| | | 6.90 | 5.70 | 6.90 | 6.90 | 26.40 | 2X | 1-2180490-7 |
| | | 5.70 | 6.90 | 6.90 | 5.70 | 26.40 | 2X | 1-2180490-6 |
| | | 5.70 | 6.90 | 5.70 | 6.90 | 26.40 | 2X | 1-2180490-5 |
| | | 5.70 | 6.90 | 5.70 | 5.70 | 26.40 | 2X | 1-2180490-4 |
| | | 5.70 | 6.90 | 6.90 | 6.90 | 26.40 | 2X | 1-2180490-3 |
| | | 5.70 | 5.70 | 6.90 | 5.70 | 26.40 | 2X | 1-2180490-2 |
| | | 5.70 | 5.70 | 5.70 | 5.70 | 26.40 | 2X | 1-2180490-1 |
| | | 5.70 | 5.70 | 6.90 | 6.90 | 26.40 | 2X | 2180490-9 |
| | | 6.90 | 6.90 | 6.90 | 5.70 | 26.40 | 2X | 2180490-8 |
| | | 6.90 | 6.90 | 5.70 | 6.90 | 26.40 | 2X | 2180490-7 |
| | | 6.90 | 6.90 | 5.70 | 5.70 | 26.40 | 2X | 2180490-6 |
| | | 6.90 | 6.90 | 6.90 | 6.90 | 26.40 | 2X | 2180490-5 |
| | | N/A | N/A | 6.90 | 5.70 | 15.00 | 1X | 2180490-4 |
| | | N/A | N/A | 5.70 | 6.90 | 15.00 | 1X | 2180490-3 |
| | | N/A | N/A | 5.70 | 5.70 | 15.00 | 1X | 2180490-2 |
| | | N/A | N/A | 6.90 | 6.90 | 15.00 | 1X | 2180490-1 |
| PACKAGING | PLATING TYP | P4 | P3 | P2 | P1 | DIM A | NUMBER OF POWER MODULE | PART NUMBER |

NOTES:

- △ MATERIALS:
 HOUSING: HIGH TEMP. THERMOPLASTIC GLASS/MINERAL FILLED UL94V-0
 TERMINAL: COPPER ALLOY
- △ FINISH:
 TIN OPTION-0.76um MIN GOLD AT CONTACT AREA AND
 1.27um MIN NICKEL UNDERPLATED OVER ALL
 2.54um TIN AT SOLDER TAIL AREA
 TIN-LEAD OPTION-0.76um MIN GOLD AT CONTACT AREA AND
 1.27um MIN NICKEL UNDERPLATED OVER ALL
 2.54um TIN-LEAD AT SOLDER TAIL AREA
- △ REFER TO TE'S PRODUCT SPECIFICATION: 108-2473 FOR PLATED THROUGH-HOLE SPECIFICATION AND TORQUE FORCE
- 4 CONNECTOR WERE PACKED BY TRAY
 REFER TO TE'S PACKAGING SPECIFICATION: 107-97874
- 5 MATED WITH 2169809-*
- △ LASER MARK PART NUMBER AND DATE CODE (YYWWDS) CAN BE AT THE OPPOSITE SIDE
- △ ADD 11.40MM FOR EACH ADDITIONAL MODULE
- 8. REFER TO DOCUMENT NUMBER: 2169802 FOR INDIVIDUAL MODULE COMPONENT INFORMATION
- △ FIRST POWER MODULE(1#) STARTS FROM THE RIGHT
- △ DIMENSION P1&P2 FOR POWER MODULE 1, P3&P4 FOR POWER MODULE 2
- △ COMPONENT STAY AWAY ZONE FROM CONNECTOR
- △ ALL PARTS ARE SHIPPED WITH A 2-32 AB TYPE SELF-TAPPING SCREW P/N: 2057509-2

THIS DRAWING IS A CONTROLLED DOCUMENT. DWN: LERRY WANG 08FEB2012
 CHK: SUNY ZHAO 08FEB2012
 APVD: SUNY ZHAO 08FEB2012

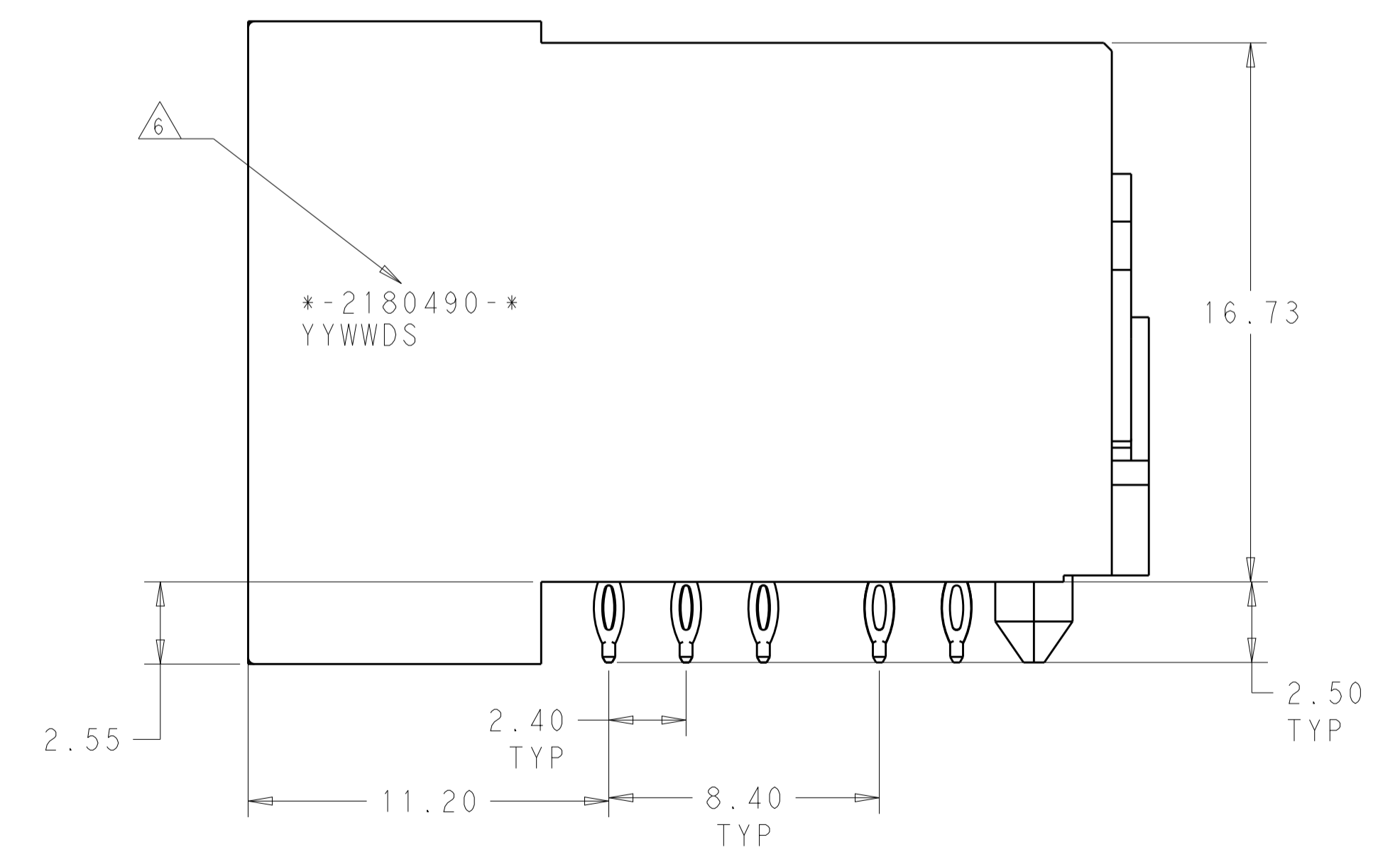
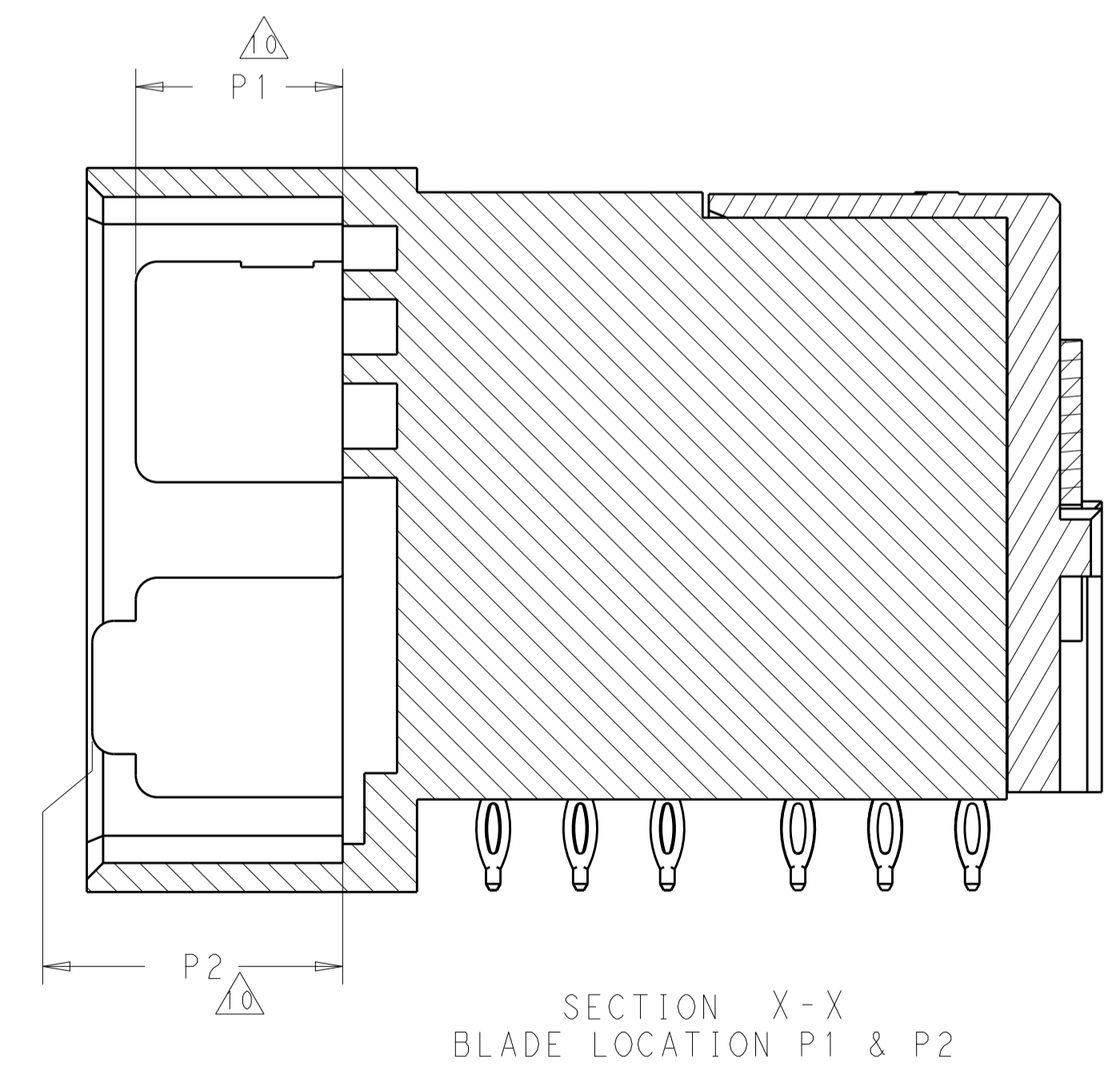
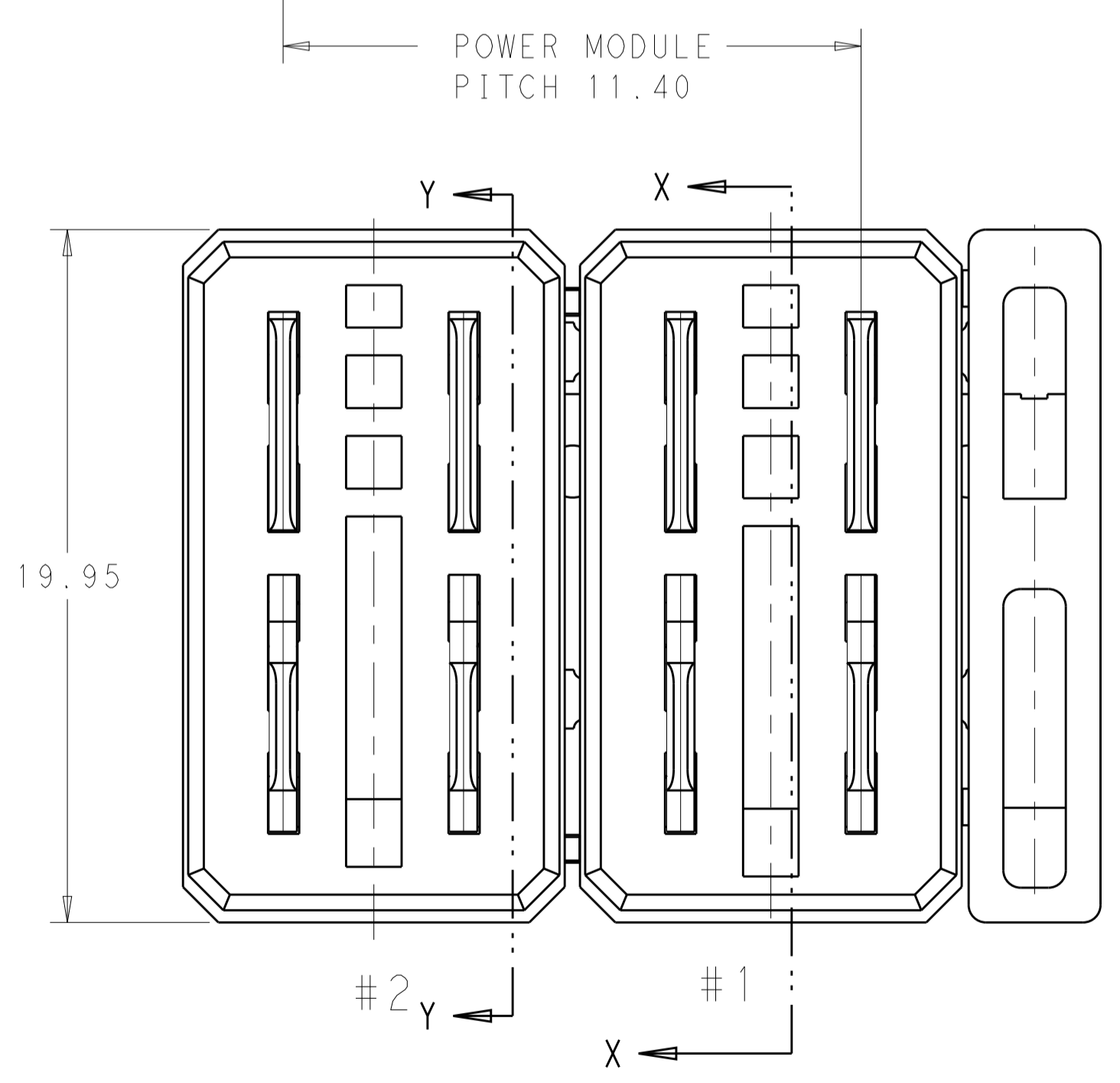
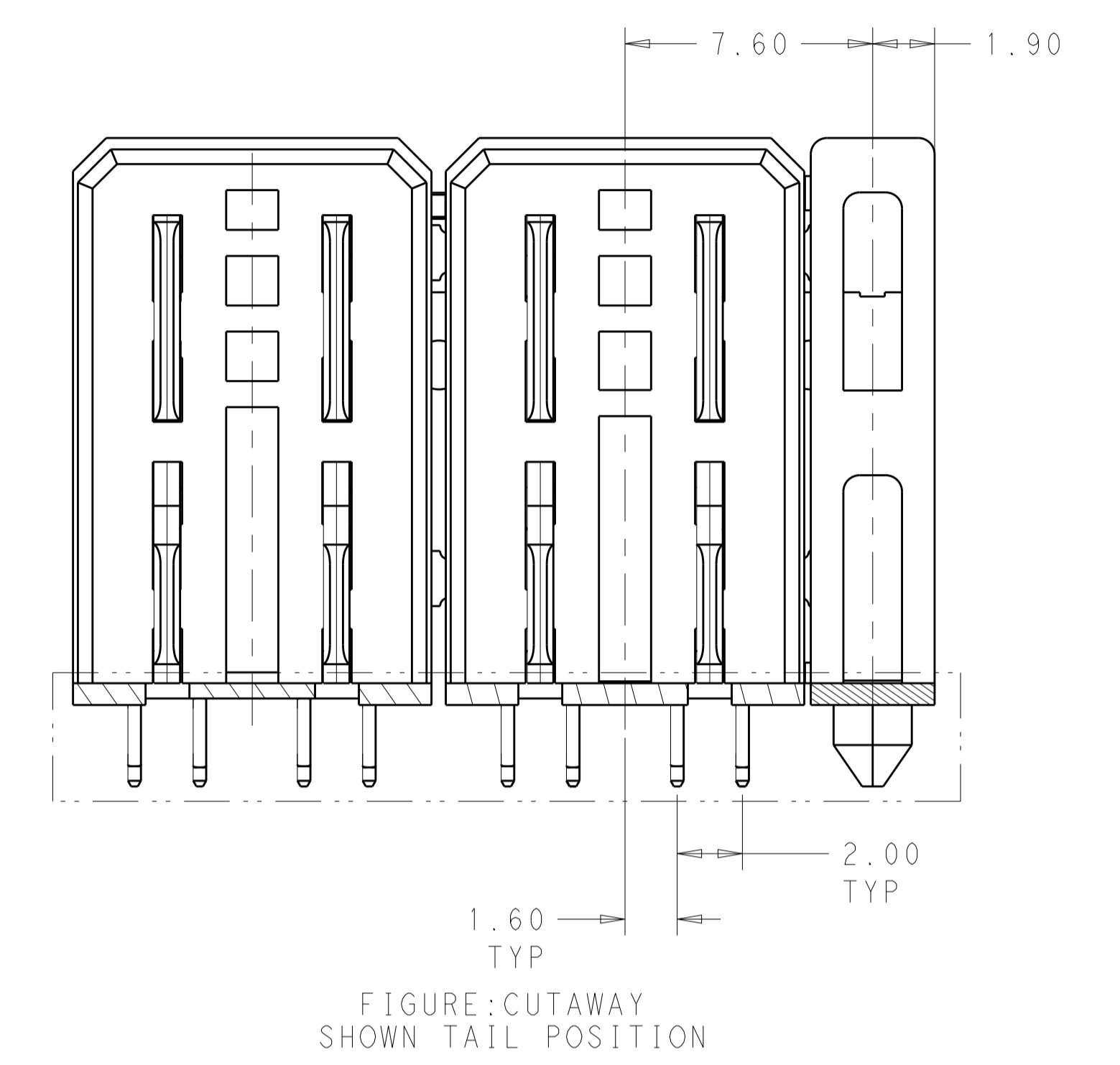
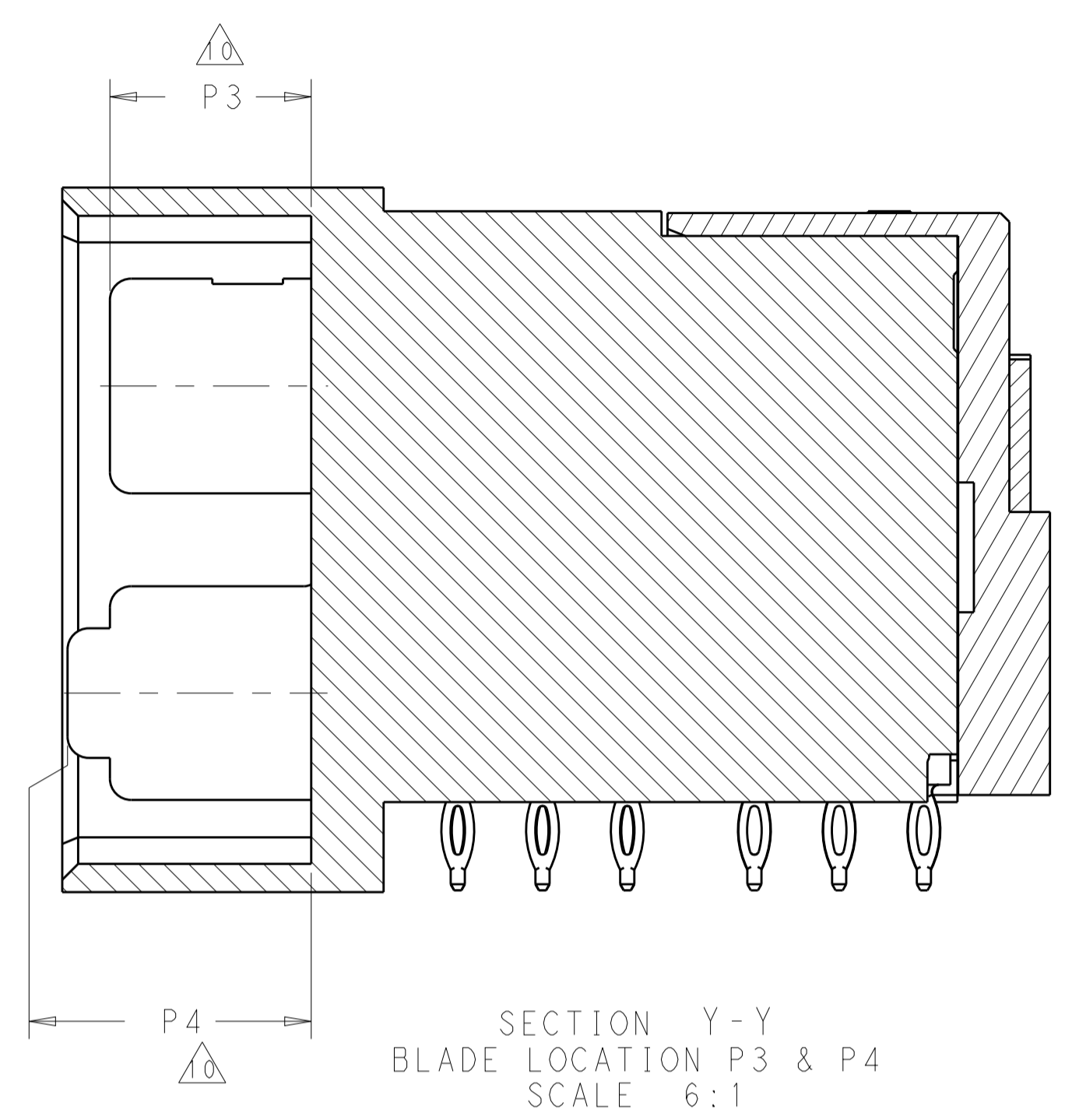
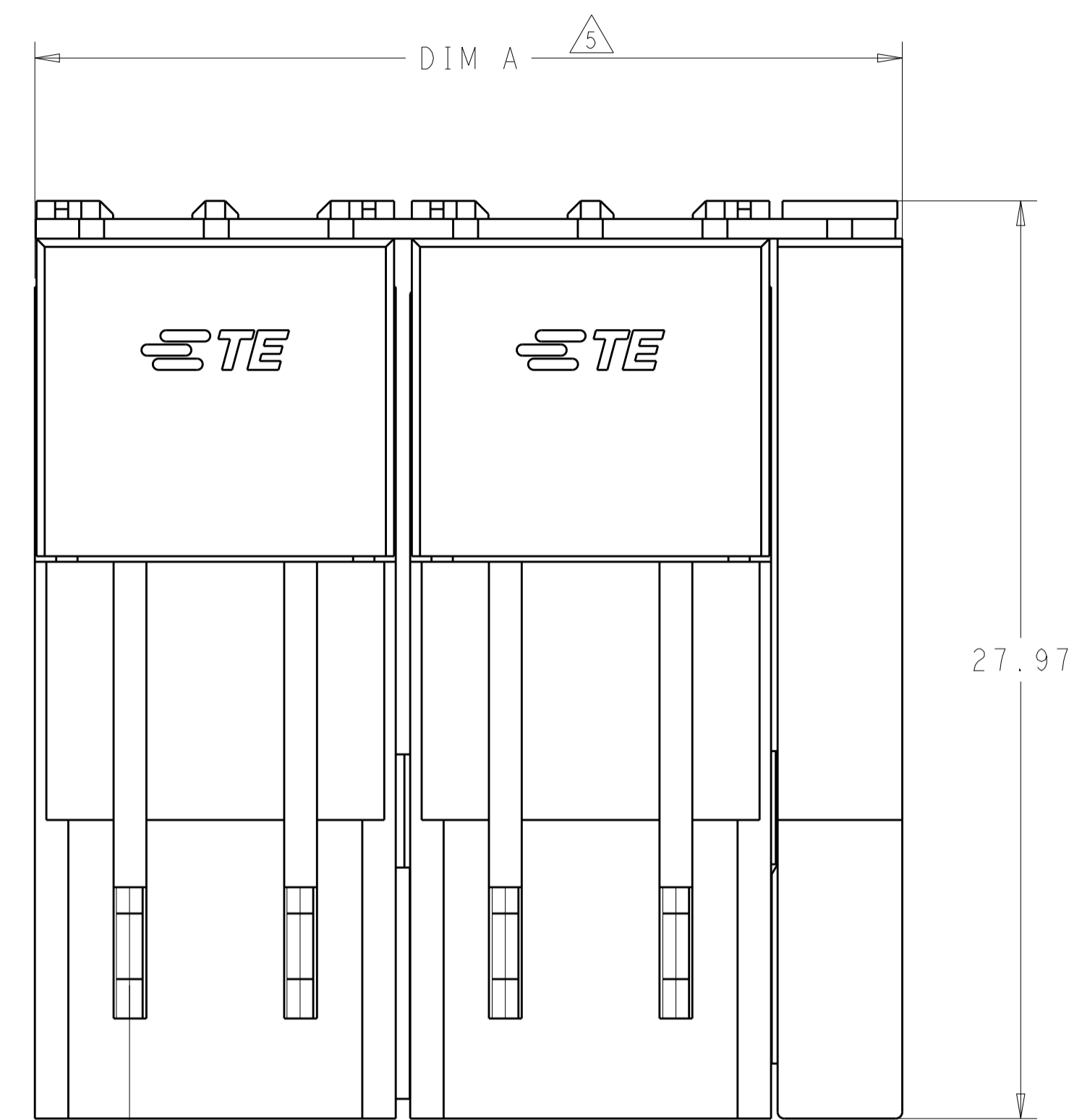
TE Connectivity

IMPACT POWER 4PAIR HEADER WITH RIGHT HOLD DOWN PRESS FIT

SIZE: A1 CAGE CODE: 114-32028 DRAWING NO: 100779 ©=2180490

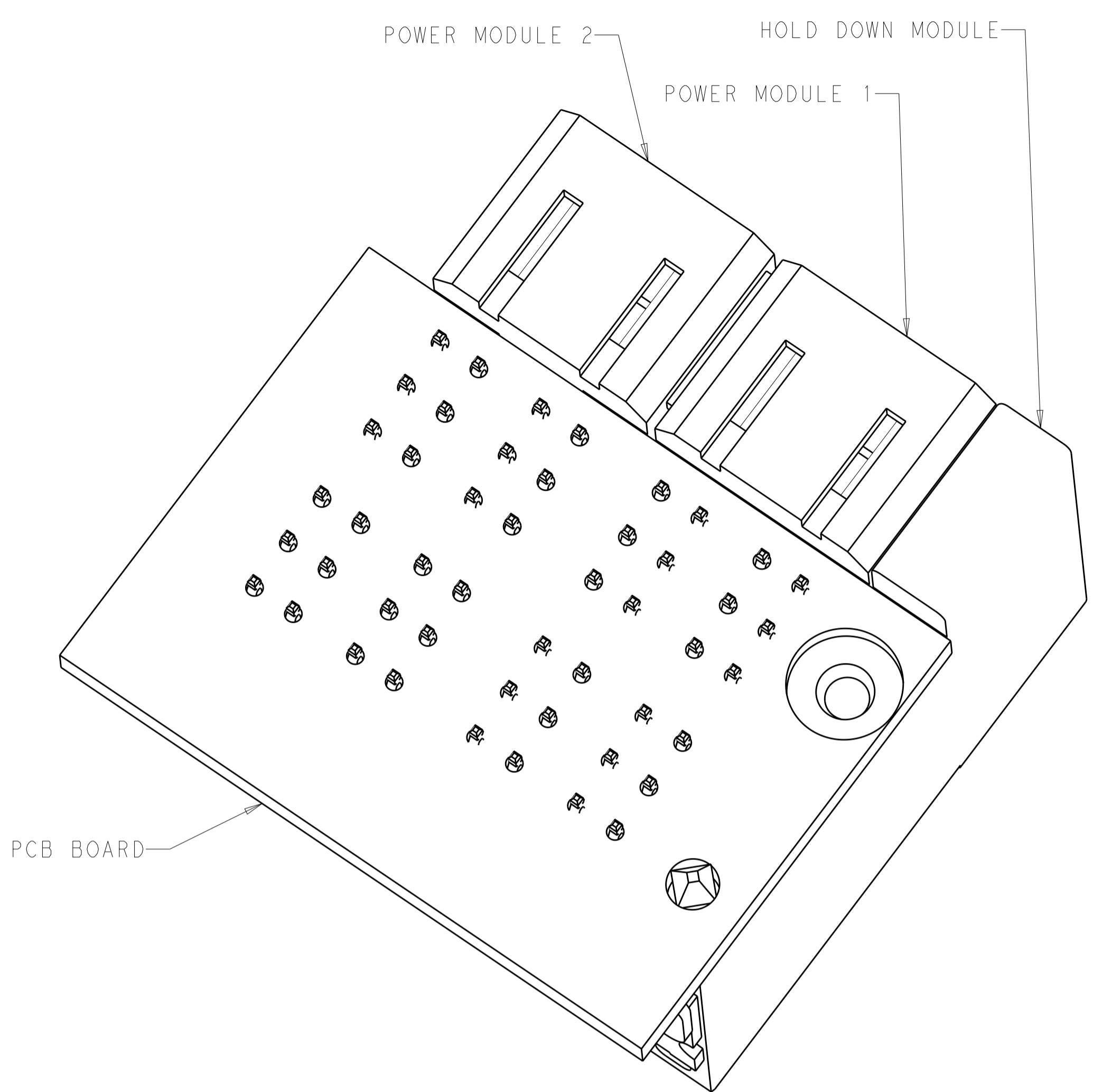
SCALE: 6:1 SHEET 1 OF 3 REV: A1

| LOC | DIST | REVISIONS | | | | | |
|-----|------|-----------|-----|-------------|------|-----|------|
| GP | 00 | P | LTN | DESCRIPTION | DATE | DWN | APVD |
| - | - | - | - | SEE SHEET 1 | - | - | - |

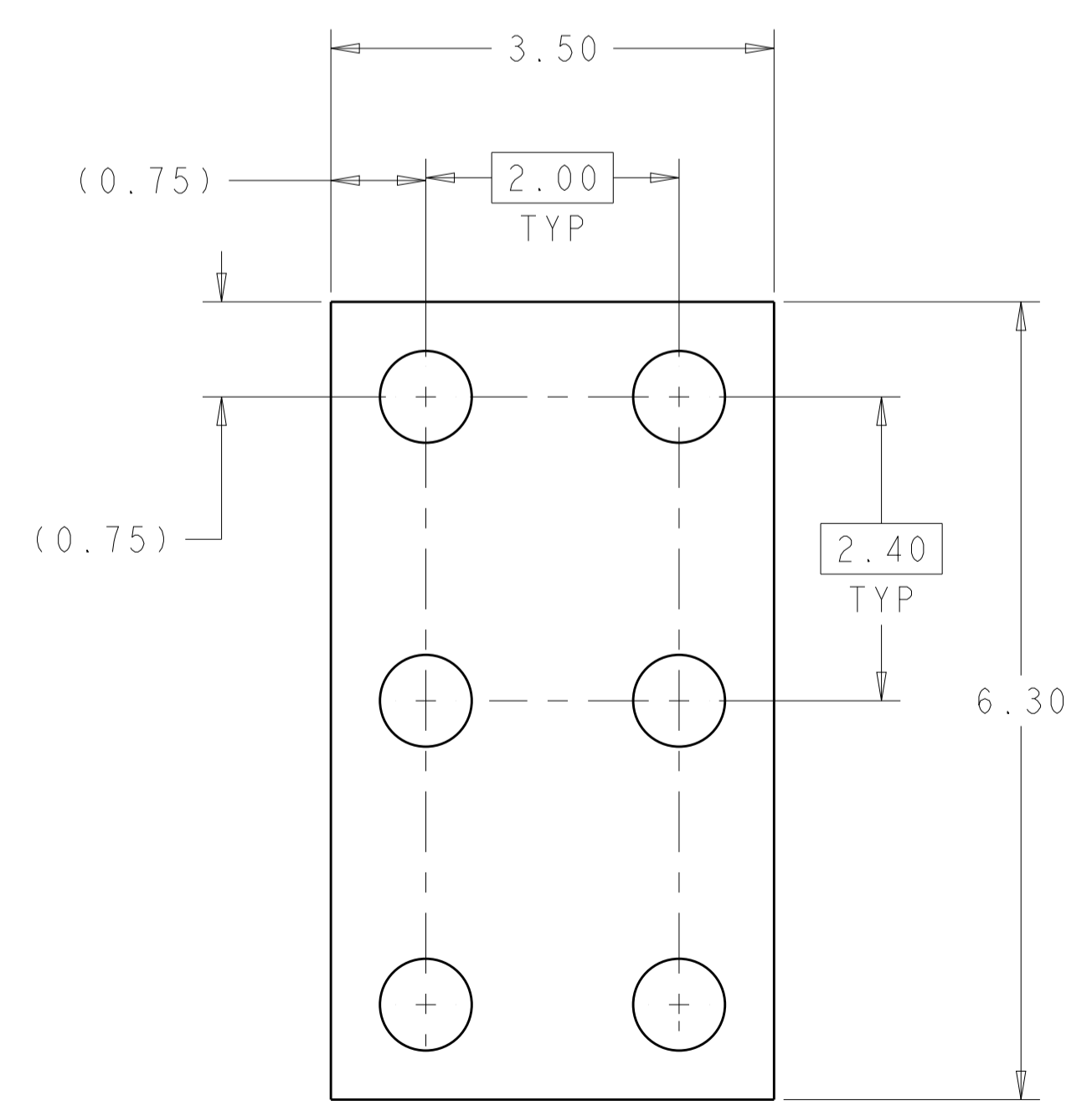


| | | | |
|--|-------|---------------------------|--|
| THIS DRAWING IS A CONTROLLED DOCUMENT. | | OWN: LERRY WANG 08FEB2012 | TE Connectivity |
| DIMENSIONS: mm | | CHK: SUNY ZHAO 08FEB2012 | |
| TOLERANCES UNLESS OTHERWISE SPECIFIED: | | APVD: SUNY ZHAO 08FEB2012 | NAME: IMPACT POWER 4PAIR HEADER WITH RIGHT HOLD DOWN PRESS FIT |
| 0 PLC | ±--- | PRODUCT SPEC | SIZE: A1 |
| 1 PLC | ±--- | APPLICATION SPEC | CAGE CODE: 114-32028 |
| 2 PLC | ±0.25 | WEIGHT | REV: A1 |
| 3 PLC | ±--- | MATERIAL | SCALE: 6:1 |
| 4 PLC | ±--- | FINISH | SHEET: 2 OF 3 |
| ANGLES | ±--- | CUSTOMER DRAWING | REV: A1 |

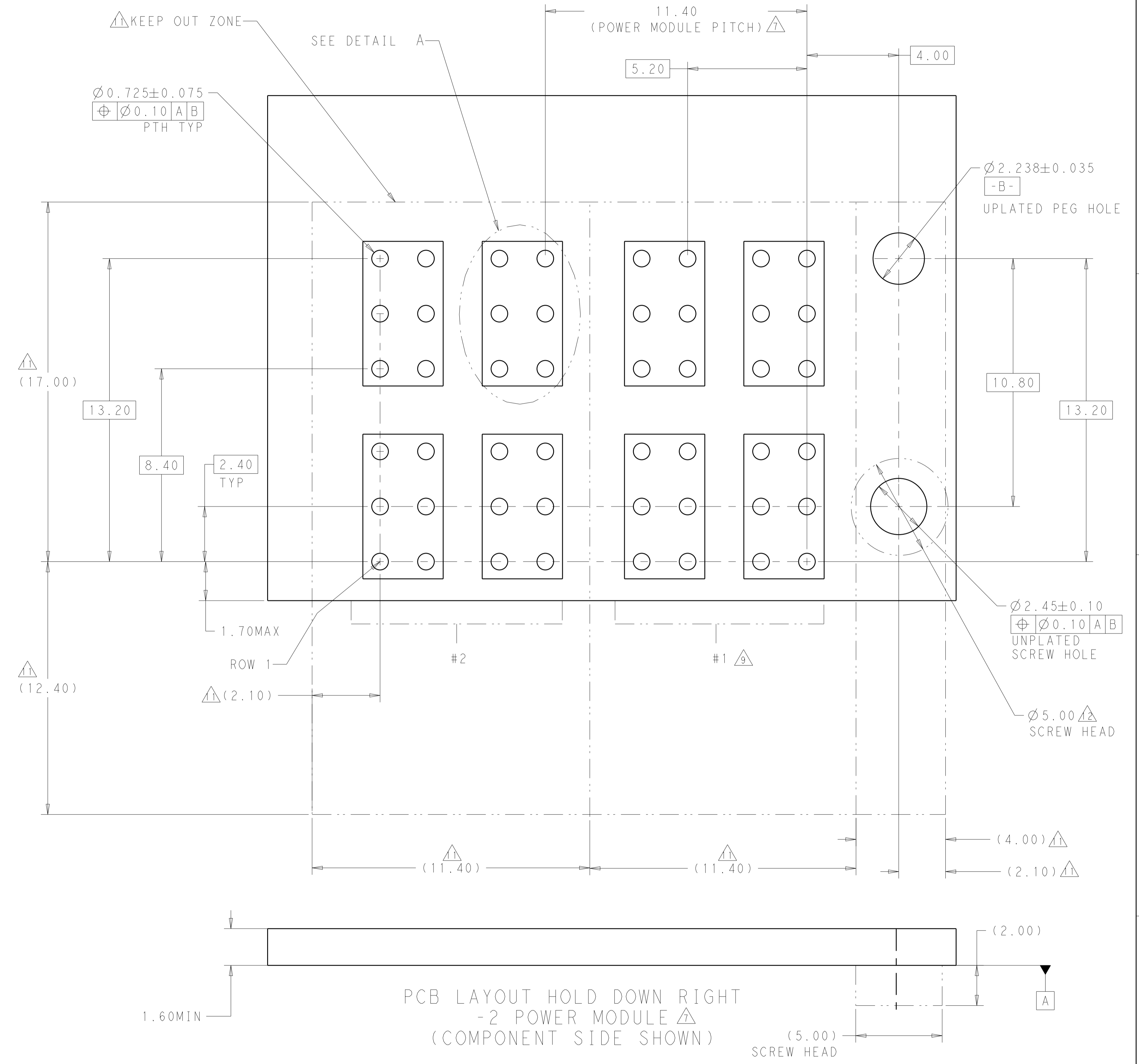
| LOC | DIST | REVISIONS | | | | | |
|-----|------|-----------|-----|-------------|------|-----|------|
| GP | 00 | P | LTN | DESCRIPTION | DATE | DWN | APVD |
| | | - | | SEE SHEET 1 | | | |



CONNECTOR WITH PCB BOARD



DETAIL A
SCALE 20:1
COPPER PAD REFERENCE



PCB LAYOUT HOLD DOWN RIGHT
- 2 POWER MODULE
(COMPONENT SIDE SHOWN)

| | | | |
|---|--|--|---------------------|
| THIS DRAWING IS A CONTROLLED DOCUMENT. | | DWN: LERRY WANG 08FEB2012 | TE Connectivity |
| DIMENSIONS: mm | | CHK: SUNY ZHAO 08FEB2012 | |
| TOLERANCES UNLESS OTHERWISE SPECIFIED: | | APVD: SUNY ZHAO 08FEB2012 | |
| 0 PLC ±0.15 1 PLC ±0.25 2 PLC ±0.25 3 PLC ±0.25 4 PLC ±0.25 ANGLES ±0.5° | | NAME: IMPACT POWER 4PAIR HEADER WITH RIGHT HOLD DOWN PRESS FIT | |
| MATERIAL: - | | FINISH: - | SIZE: A1 |
| CUSTOMER DRAWING | | SCALE: 6:1 | SHEET: 3 OF 3 |

单击下面可查看定价，库存，交付和生命周期等信息

[>>TE Connectivity\(泰科\)](#)