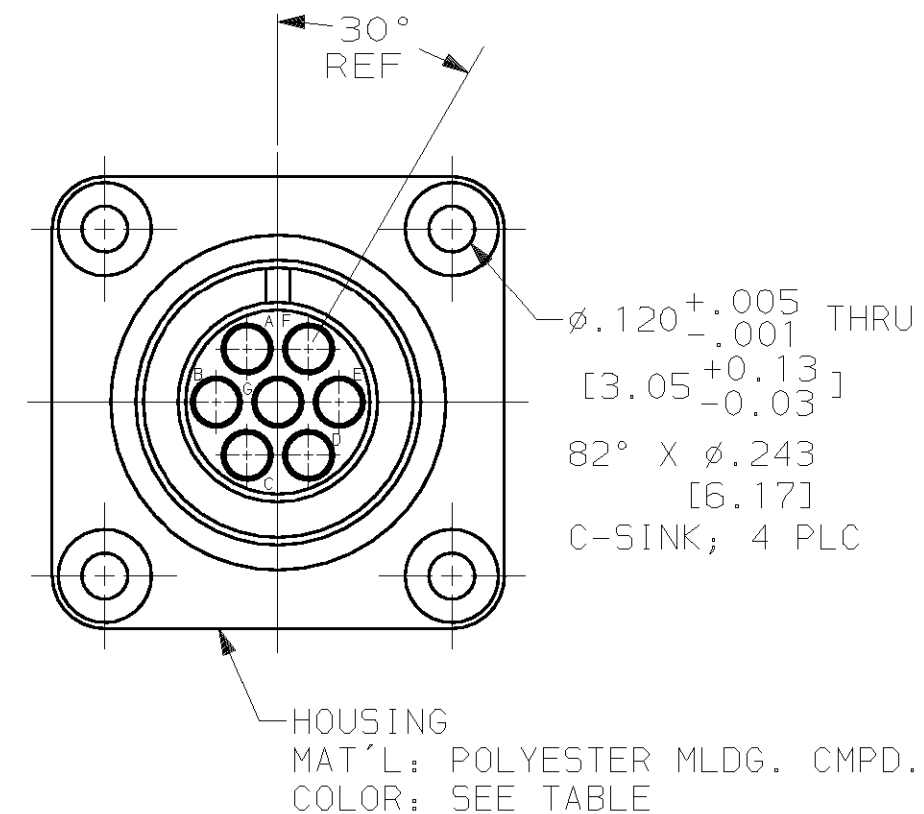
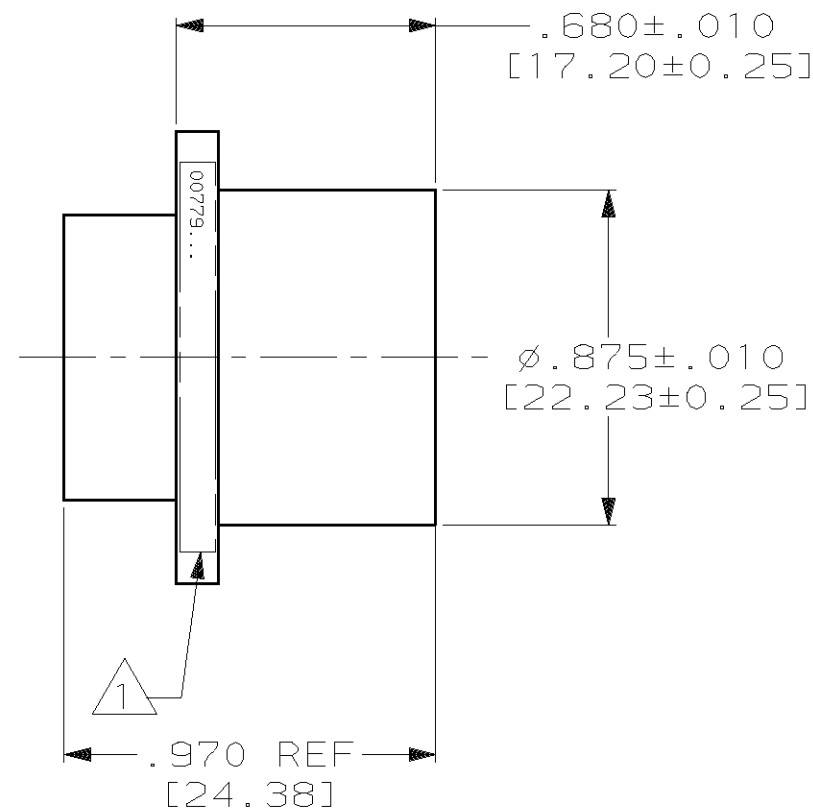
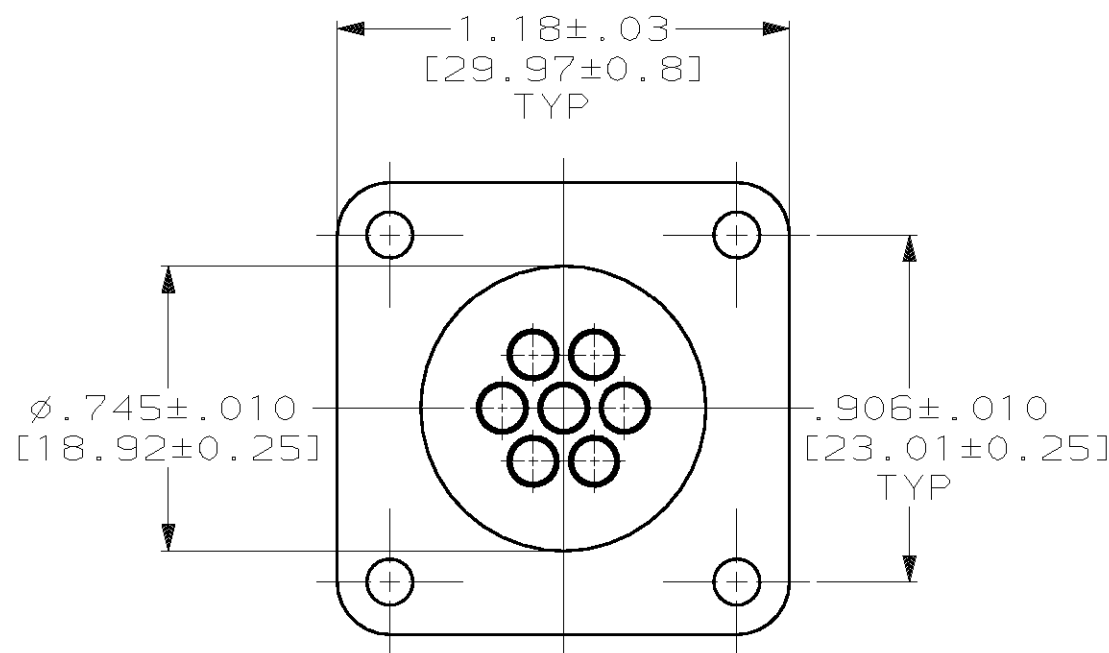


THIS DRAWING IS UNPUBLISHED. RELEASED FOR PUBLICATION, 19
 © COPYRIGHT 19 BY AMP INCORPORATED

PROD 4085
 LOC DF
 DIST 50

P		F		ZONE		LTR		DESCRIPTION		DATE	APPD
								0	RELEASED PER 0600-2854-94	CT 9-94	DE
								A	ADD -3; 0600-5311-96	CT 4-96	DE
								B	REV PER 063D-0192-99	JEB 3-00	DE



- 1 MARKED PER MIL-STD-130.
- 2. RECEPTACLE HAS NO MATING THREADS.
- 3 "PMS" PANTONE MATCHING SYSTEM #3145 U.

DO NOT SCALE PRINT.
 UNLESS SPECIFIED
 DIMENSIONS IN INCHES [mm]
 TOLERANCES ON:
 2 PLC DEC ± -
 3 PLC DEC ± .005 [0.13]
 ANGLES ± -

MATERIAL
 SEE CALLOUTS

FINISH
 -

DR 9-12-94
 C.C.THOMAS
 CHK 9-21-94
 D.EABY
 APPD 9-21-94
 D.EABY
 RLSE 9-21-94
 C.C.THOMAS
 PRODUCT SPEC
 -
 APPLICATION SPEC
 -
 WEIGHT -

SPECIAL AQUA BLUE / 3		443065-3
BLACK		443065-1
COLOR	PART NO.	
AMP AMP Incorporated Harrisburg, PA 17105-3608		
NAME RECEPTACLE, 7 POSN., LGH		
SIZE B	CAGE CODE 00779	DRAWING NO C-443065
SCALE 2:1	SHEET 1 OF 1	

THIS DRAWING IS A CONTROLLED DOCUMENT FOR AMP INCORPORATED. IT IS SUBJECT TO CHANGE AND THE CONTROLLING ENGINEERING ORGANIZATION SHOULD BE CONTACTED FOR THE LATEST REVISION.

单击下面可查看定价，库存，交付和生命周期等信息

[>>TE Connectivity\(泰科\)](#)