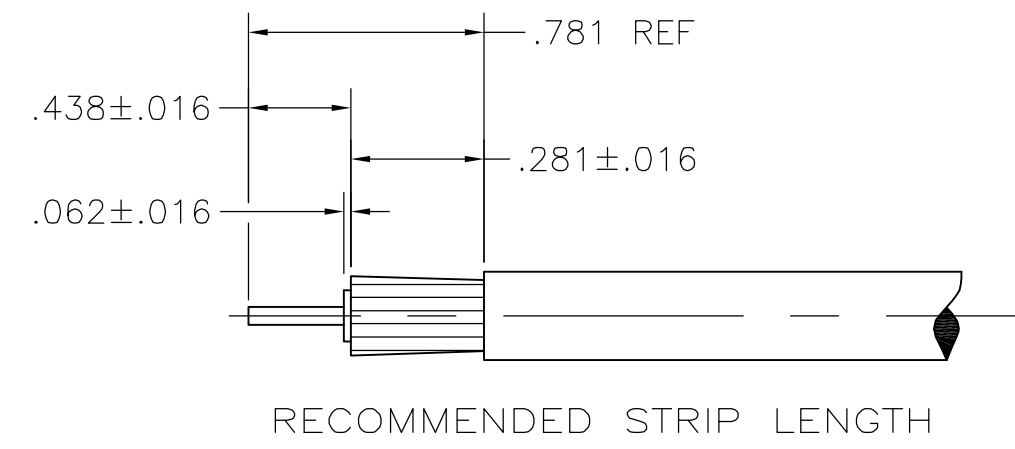
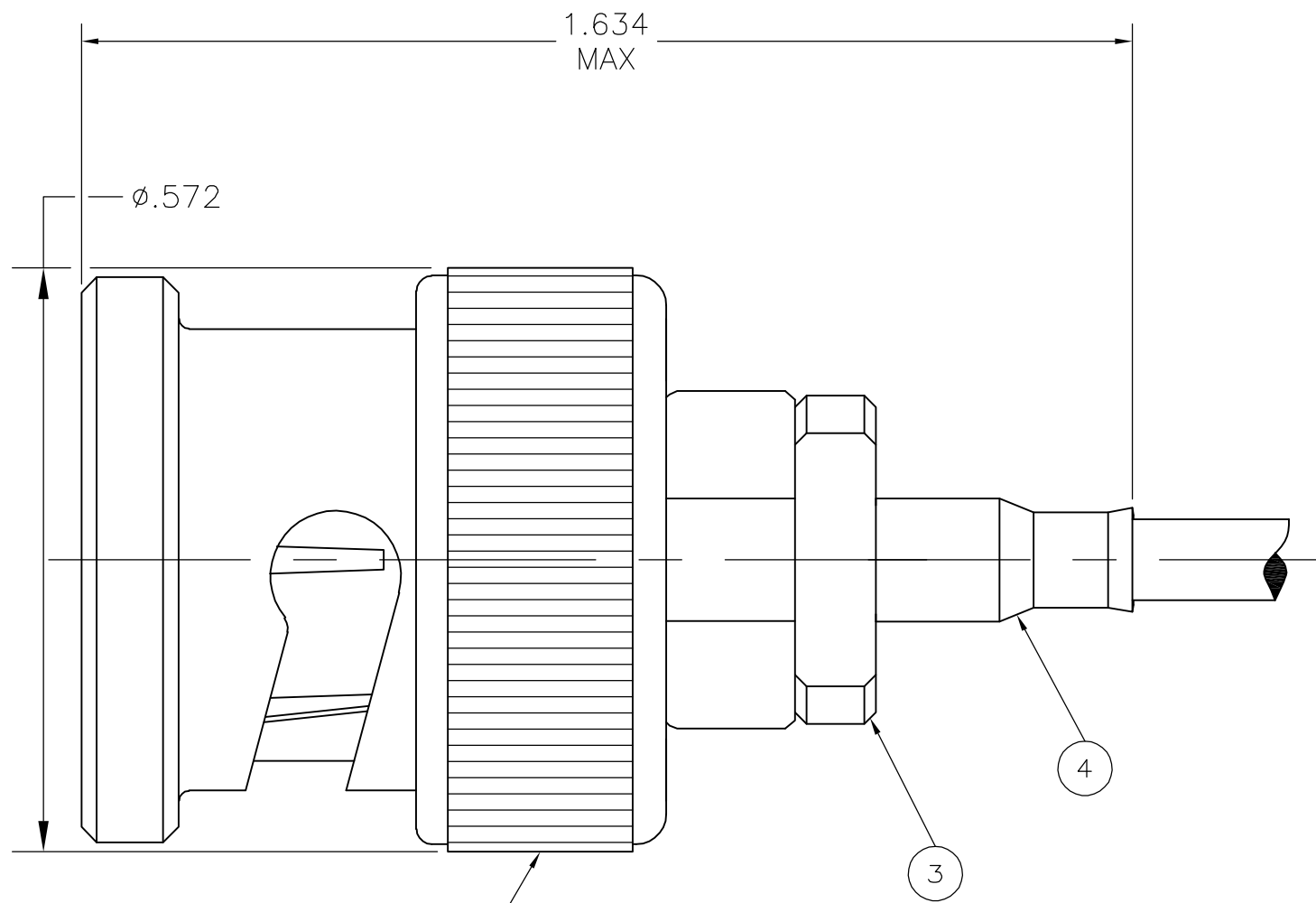


THIS DRAWING IS UNPUBLISHED. RELEASED FOR PUBLICATION
 © COPYRIGHT BY TYCO ELECTRONICS CORPORATION. ALL RIGHTS RESERVED.

LOC	DIST	REVISIONS					
AJ	16	P	LTR	DESCRIPTION	DATE	DWN	APVD
			A	REVISED PER EC S14-0173-05	25JULY05	BM	JL

1. FOR USE WITH: BELDEN 8281, WE 724 & 3049 CABLES.
2. CRIMPING TOOL: 69652
3. SEE INSTRUCTION SHEET 408-1799-1.



9-331256-0	1-50780-7	2-329106-1	9-329327-1	5330878
4 FERRULE QTY=1	3 CRIMP END QTY=1	2 GASKET QTY=1	1 PLUG ASSEMBLY QTY=1	PART NUMBER

THIS DRAWING IS A CONTROLLED DOCUMENT.		DWN G. ATTADIA - DOCK5 31JAN2005	Tyco Electronics Corporation Harrisburg, Pa 17105-3608	
DIMENSIONS: INCHES 		CHK J. HAVENER 31JAN2005	NAME CONNECTOR, COAXIAL RF PLUG, SERIES BNC	
TOLERANCES UNLESS OTHERWISE SPECIFIED: 0 PLC ± - 1 PLC ± - 2 PLC ± - 3 PLC ± - 4 PLC ± - ANGLES ± -		APVD J. LIPPERT 31JAN2005	DRAWING NO G-5330878	
MATERIAL		PRODUCT SPEC	SIZE A3	RESTRICTED TO
FINISH		APPLICATION SPEC	CAGE CODE 00779	SCALE NTS
		WEIGHT .458 OZ	SHEET 1 OF 1	
		CUSTOMER DRAWING	REV A	

单击下面可查看定价，库存，交付和生命周期等信息

[>>TE Connectivity\(泰科\)](#)