

4

3

2

1

THIS DRAWING IS UNPUBLISHED.

RELEASED FOR PUBLICATION

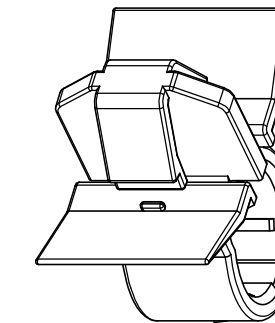
20

© COPYRIGHT 20 BY TYCO ELECTRONICS CORPORATION. ALL RIGHTS RESERVED.

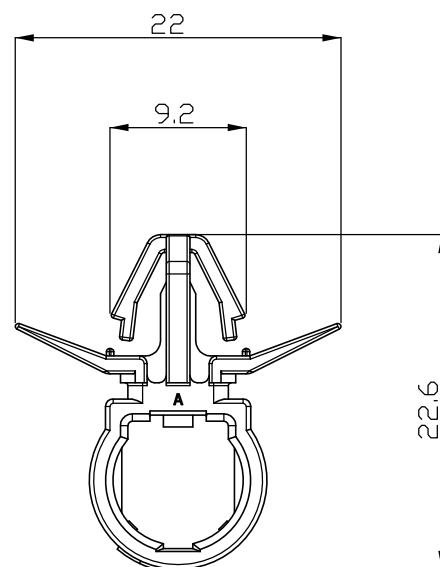
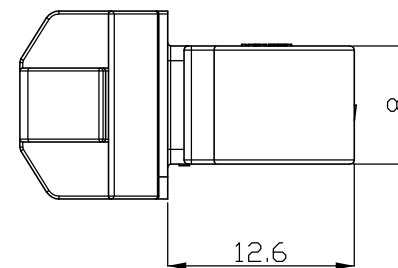
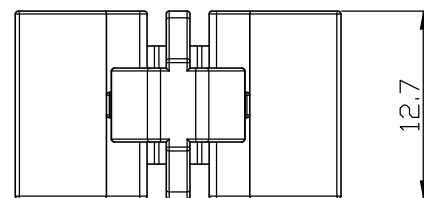
LOC	DIST	REVISIONS			
P	LTR	DESCRIPTION	DATE	DWN	APVD
DS	-	RELEASE	23 JUN'10	SJ	JK

D

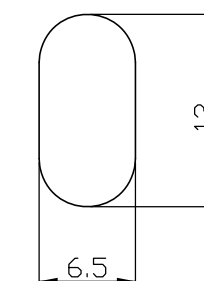
D



ISOMETRIC VIEW



PANEL HOLE



PANEL THICKNESS : 1.5mm

C

C

B

B

NOTE:

- 1. GENERAL TOLERANCE : ±0.3, ±0.3°
- 2. THE MATING PLUG HSG P/N : 1897374

2005038-2	PA66	BLACK
P/N	MATERIAL	COLOR

THIS DRAWING IS A CONTROLLED DOCUMENT FOR TYCO ELECTRONICS CORPORATION IT IS SUBJECT TO CHANGE AND THE CONTROLLING ENGINEERING ORGANIZATION SHOULD BE CONTACTED FOR THE LATEST REVISION.		DWN SJ CHOI	Tyco Electronics Kyungsan, Korea	
DIMENSIONS: mm		CHK KT LIM	NAME	
TOLERANCES UNLESS OTHERWISE SPECIFIED:		APVD JK SONG	PRODUCT SPEC	
0 PLC ±-		APPLICATION SPEC		
1 PLC ±0.3		WEIGHT		
2 PLC ±0.10		SIZE		
3 PLC ±0.001		CAGE CODE		
4 PLC ±0.0001		DRAWING NO		
ANGLES ±		RESTRICTED TO		
MATERIAL	SEE TABLE	FINISH		SEE TABLE
CUSTOMER DRAWING		SCALE 2:1		SHEET 1 OF 1
A300779		C=2005038		REV A

A

A

单击下面可查看定价，库存，交付和生命周期等信息

[>>TE Connectivity\(泰科\)](#)