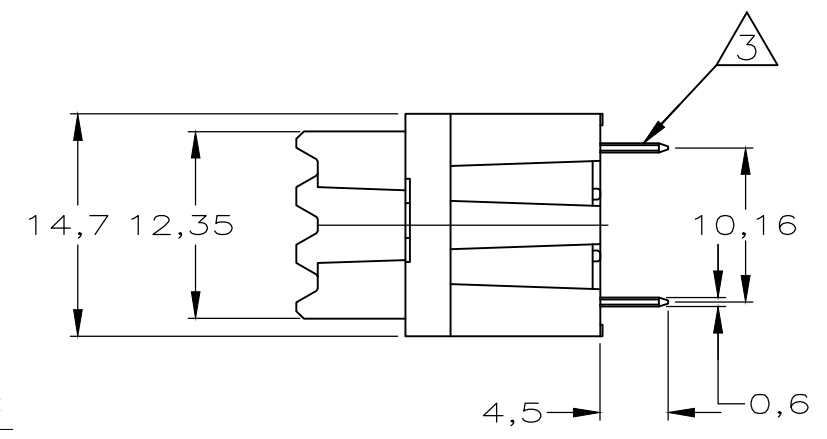
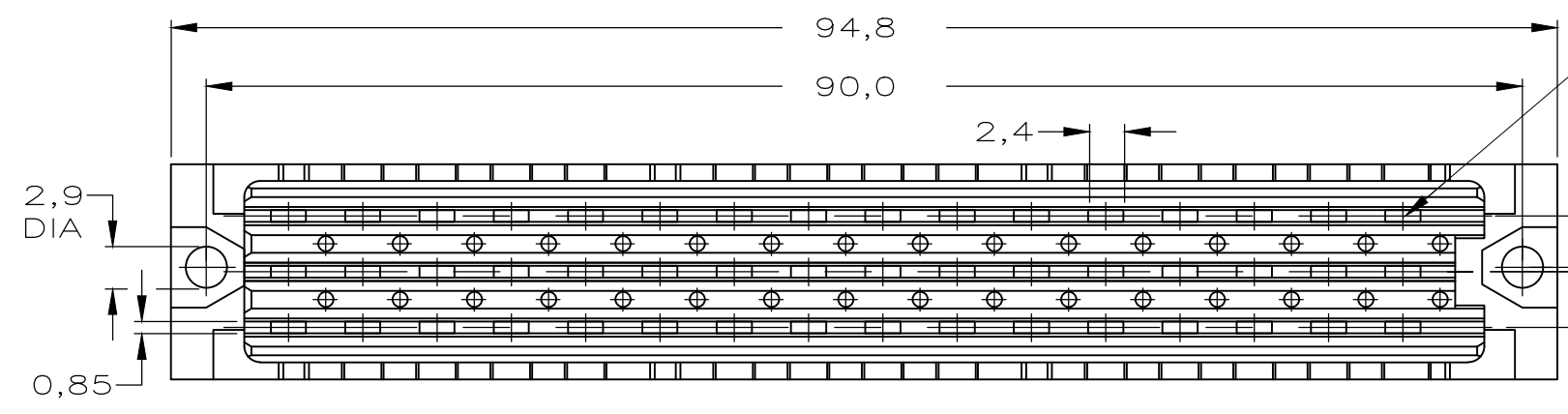
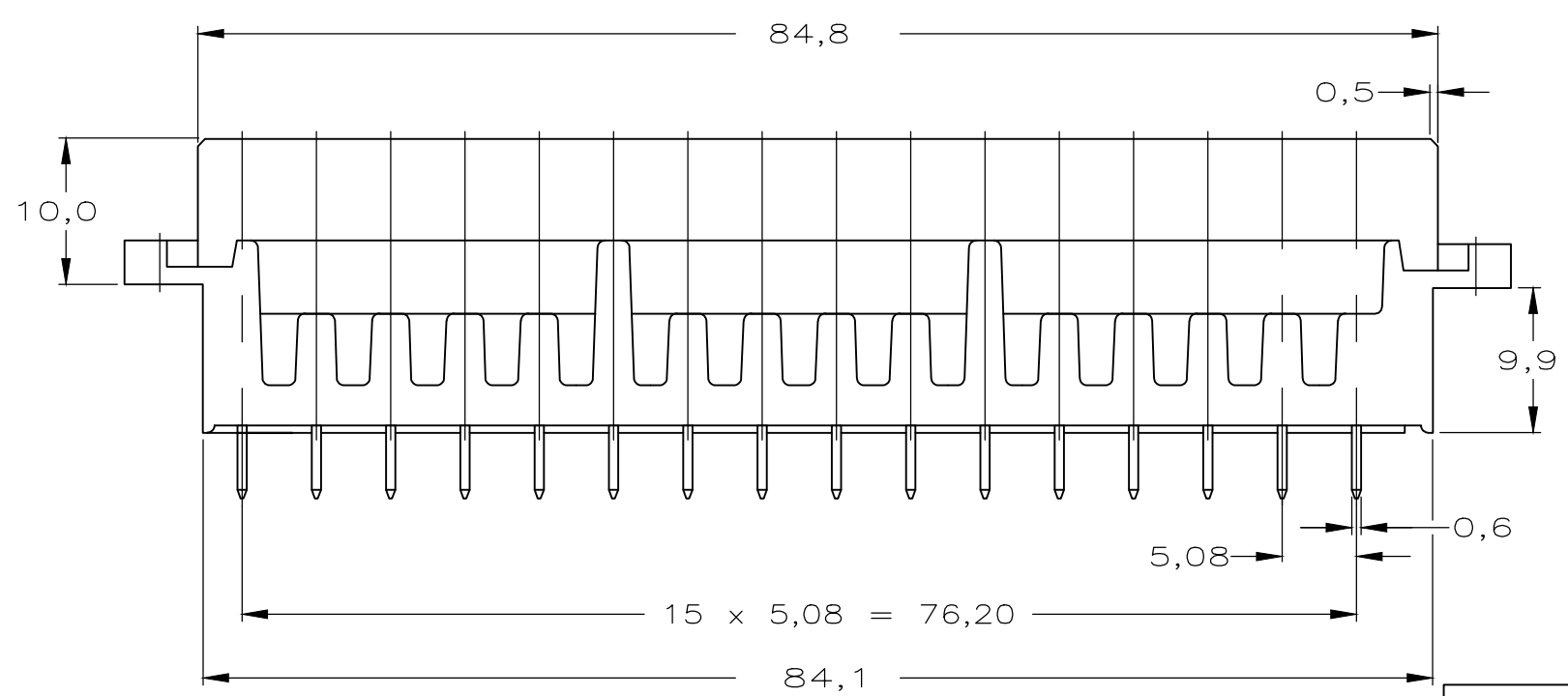


REVISIONS					
P	LTR	DESCRIPTION	DATE	DWN	APVD
	K	REVISED PER ECO-20-012547	04NOV2020	RZ	HL



NOTES :

- ① MATERIAL :
  - HOUSING : POLYESTER G.F.
  - COLOUR : GREY.
  - CONTACTS : PHOSPHORBRONZE.
- ② FINISH :
  - 1 AT CONTACT AREA 1,25 μm AU OVER 1,25 μm NI.
  - AT POST AREA 2,5 μm Sn OVER 1,25 μm NI.
  - 7 SAME AS -1 ONLY 2,0 μm AU.
  - 8 SAME AS -1 ONLY 0,4 μm AU.
  - 4 CONFIRMS TO IEC60603-2 PERFORMANCE LEVEL II REQUIREMENT IN CONTACT AREA, Sn OVER Ni IN SOLDER AREA.
- ③ SOLDERPOSTS SUITABLE FOR 0,80<sup>±0,05</sup> OR 1,0<sup>±0,1</sup> NOM DIA HOLES.



0--8 OBSOLETE	SEE NOTE ②	SEE NOTE ①	<del>166951-8</del>
0--7 OBSOLETE			<del>166951-7</del>
			166951-4
0--1 OBSOLETE			<del>166951-1</del>

ROW	X	X	X	X	X	X	X	X	X	X	X	X	X	X	X	
z	X	X	X	X	X	X	X	X	X	X	X	X	X	X	X	
b	X	X	X	X	X	X	X	X	X	X	X	X	X	X	X	
d	X	X	X	X	X	X	X	X	X	X	X	X	X	X	X	
POS	32	30	28	26	24	22	20	18	16	14	12	10	8	6	4	2

AN ASTERISK "X" DENOTES A CONTACT.

THIS DRAWING IS A CONTROLLED DOCUMENT.		DWN	17 JAN. 1992		<b>STE</b> TE Connectivity
		CHK	J.v.LIEMPT.		
		APVD	J.GIBBELS		
		PRODUCT SPEC	-		
DIMENSIONS: mm		TOLERANCES UNLESS OTHERWISE SPECIFIED:		NAME	
		0 PLC ± -		2x16 POS. TYPE F FEMALE	
		1 PLC ± -		B.T.B. SOLDER CONNECTOR	
		2 PLC ± -		-	
		3 PLC ± -		APPLICATION SPEC	
		4 PLC ± -		-	
		ANGLES ± -		SIZE	
MATERIAL		FINISH		CAGE CODE	
-		-		A300779	
				DRAWING NO	
				C-166951	
		WEIGHT		RESTRICTED TO	
		0.000000		-	
CUSTOMER DRAWING		SCALE		SHEET	
		-		1 OF 1	
				REV	
				K	

单击下面可查看定价，库存，交付和生命周期等信息

[>>TE Connectivity\(泰科\)](#)