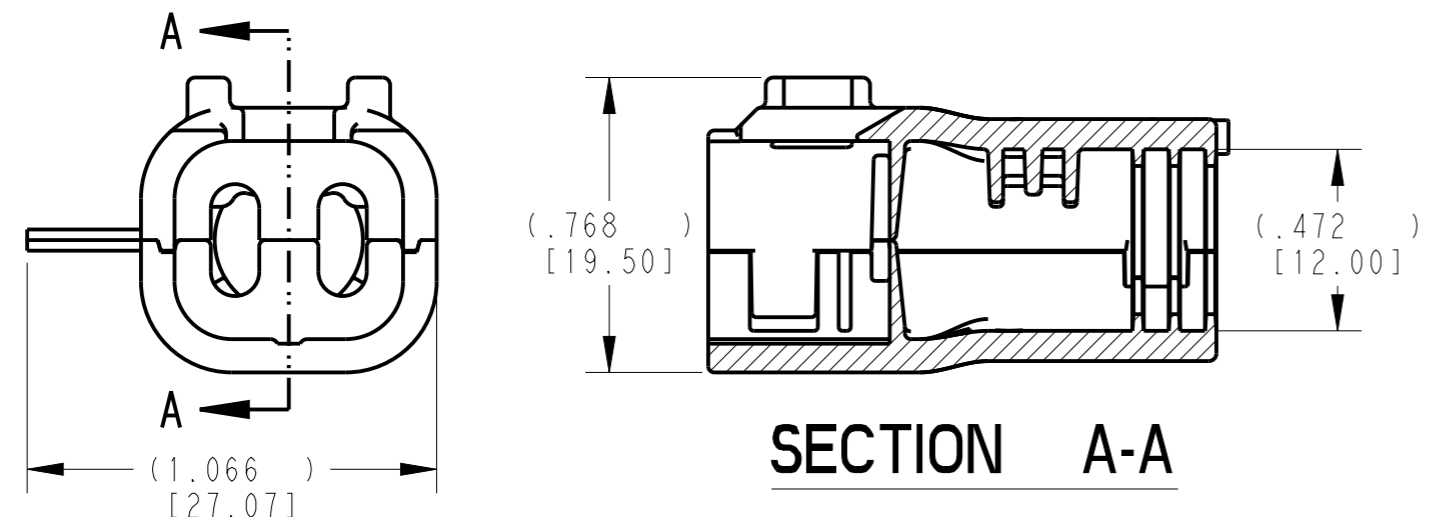
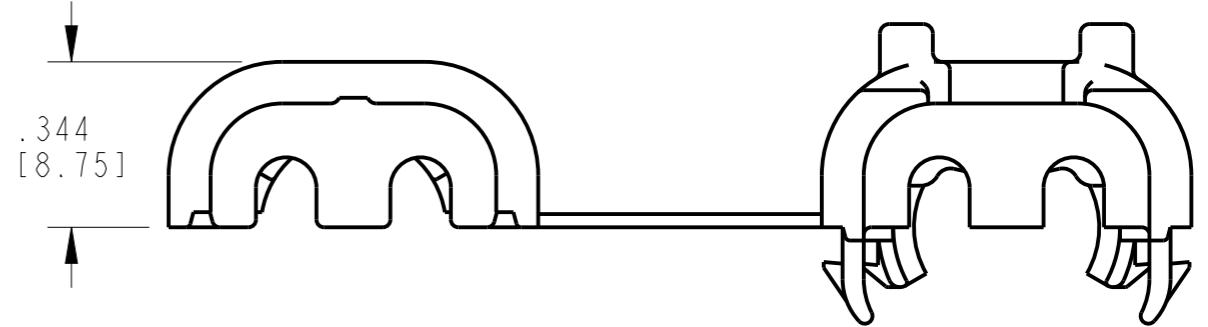
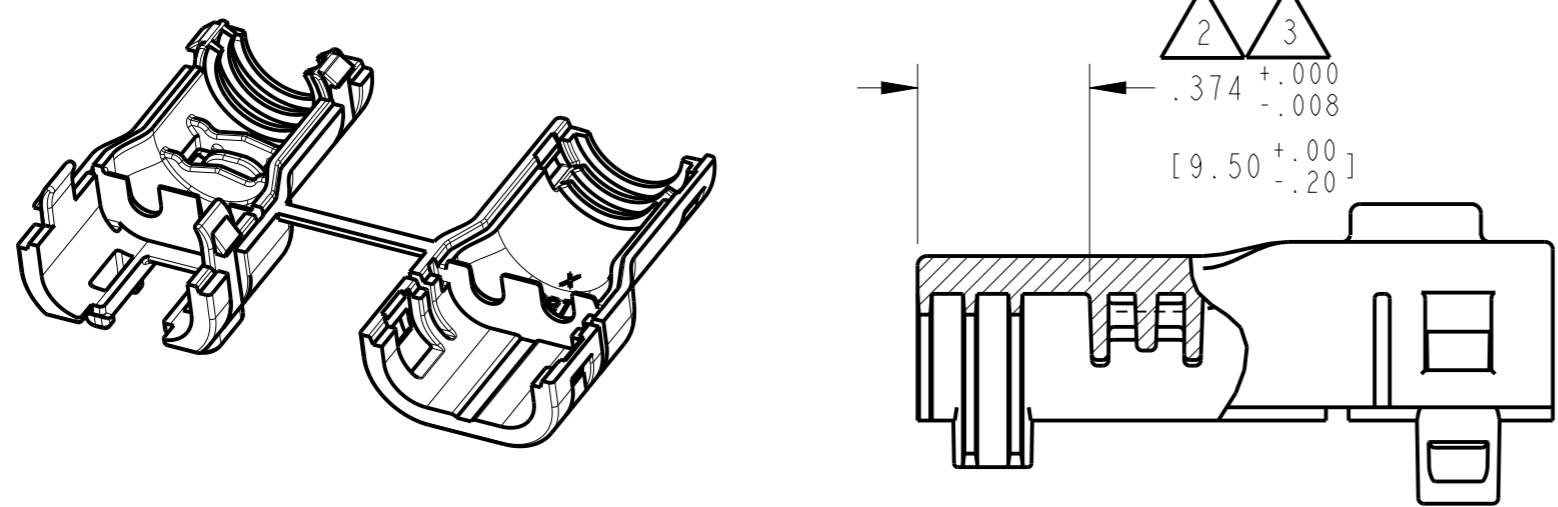
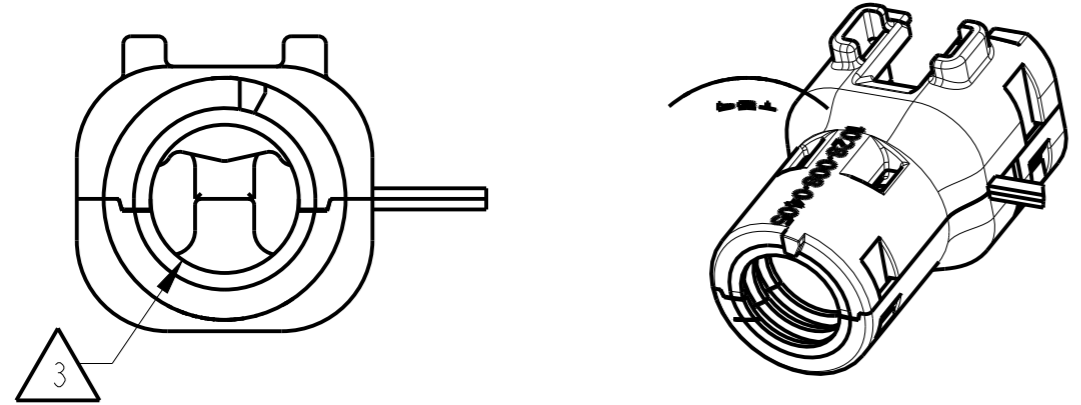
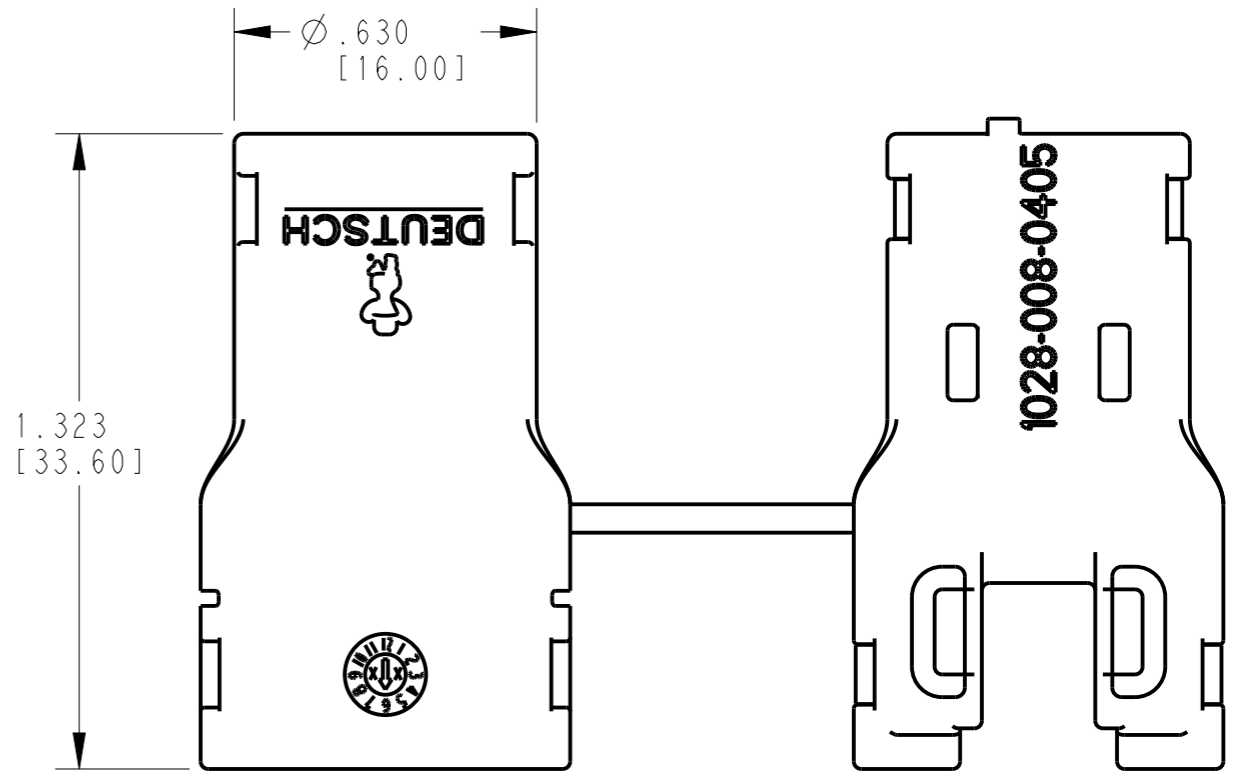


LOC	DIST	REVISIONS					
		P	LTR	DESCRIPTION	DATE	DWN	APVD
			A	NEW RELEASE PER ECO-14-004343	27MAR2014	JA	DM

CLOSED MOUNTED CONDITION AS SHOWN



SECTION A-A



- 3 FOR CORRUGATED TUBES NW 8.5.
 - 2 DIMENSION SHOWN INDICATES PROPER DEPTH TO ASSEMBLE NOTED CONVOLUTE TUBE SIZE.
1. THIS PART MATES WITH DTM06-4S-**** AND DTMH06-4S-**** PLUG WITH ANY MODIFICATION THAT DOES NOT INCLUDE AN END CAP. (**** = MODIFICATION)

NOTES:

THIS DRAWING IS A CONTROLLED DOCUMENT.		DWN 27MAR2014 JAIME APOSTOL	TE Connectivity				
DIMENSIONS: INCHES [mm]		CHK 27MAR2014 ROBERT MILLIGAN					
TOLERANCES UNLESS OTHERWISE SPECIFIED:		APVD 27MAR2014 DAVID MEYER	NAME BACKSHELL SWIVEL ADAPTER 4 PIN PLUG DTM/DTMH SERIES				
0 PLC ± 1 PLC ± 2 PLC ± 3 PLC ±.025 [.64] 4 PLC ± ANGLES ±		PRODUCT SPEC	SIZE A3	CAGE CODE 4AFU8	DRAWING NO 1028-008-0405	RESTRICTED TO	
MATERIAL PBT BLACK		FINISH N/A	WEIGHT 4.41g	SCALE 5:2		SHEET 1 OF 1	REV A
		CUSTOMER DRAWING					

单击下面可查看定价，库存，交付和生命周期等信息

[>>TE Connectivity\(泰科\)](#)