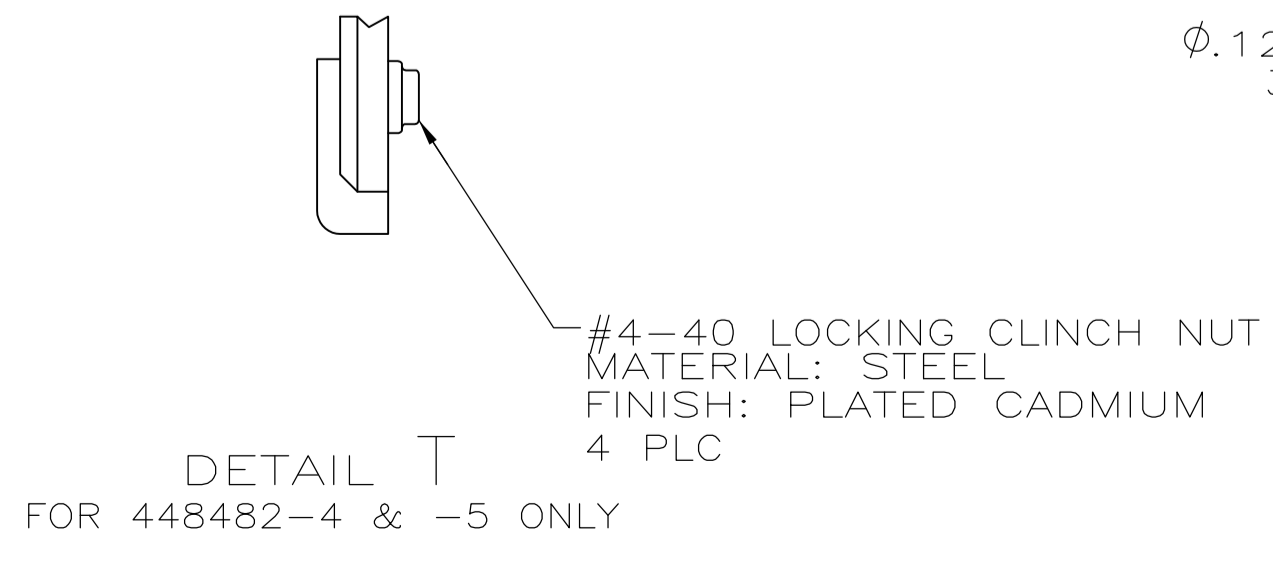


- CONTACTS MUST BE OEDERED SEPARATELY.
- PARTS MEET THE REQUIRMENTS OF THE ARINC 600 SPECIFICATION.
- DUST COVER SUPPLIED WITH PART NO. 448482-1.
- 448482-2 INCLUDES SIZE 22 SOCKET CONTACTS (INSTALLED) AND SIZE 12 AND SIZE 16 PIN CONTACTS (NOT INSTALLED).
- SPECIAL WITH INSERTS 60/OPEN/5C2, STANDARD MOUNTING, SIZE 22 CONTACTS (211431-4) LOADED IN 60 POSN. INSERT.
- KEYING SHOWN IN POSITION "01" FOR REFERENCE ONLY. SEE TABLE FOR KEYING POSITION.
- PRELIMINARY NOT RELEASED FOR PRODUCTION



02	-	-	448482-6
13	-	NIC66E11FA13SA1	448482-5
01	-	NIC66E11FA01GGO	448482-4
01	-	△	448482-3
01	-	NIC66E11FA01FFO	448482-2
01	BACC66E11FA01	NIC66E11FA01FA1	448482-1
POSITION KEYING	CUSTOMER PART NO.	DESCRIPTIVE NO.	PART NUMBER

THIS DRAWING IS A CONTROLLED DOCUMENT.		DIN C.C.THOMAS 10/27/99	TE Connectivity	
DIMENSIONS: INCHES	TOLERANCES UNLESS OTHERWISE SPECIFIED:	CHK S. GLATFELTER 10/27/99	NAME	RCPT ASSY, SIZE 1, FRONT RELEASE, ARINC 600
0 PLC ± -	1 PLC ± -	APVD S. GLATFELTER 10/27/99	PRODUCT SPEC	
2 PLC ± -	3 PLC ± -	APPLICATION SPEC		
4 PLC ± -	ANGLES ± -	WEIGHT		
MATERIAL	FINISH	SIZE A1	CAGE CODE 00779	DRAWING NO. 448482
CUSTOMER DRAWING		SCALE 2:1	SHEET 1 of 1	REV H

单击下面可查看定价，库存，交付和生命周期等信息

[>>TE Connectivity\(泰科\)](#)