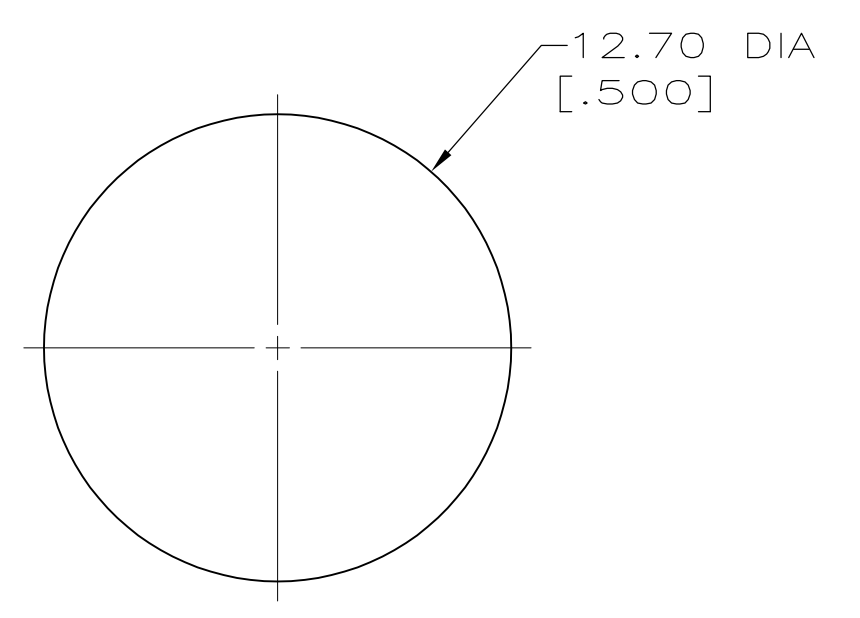
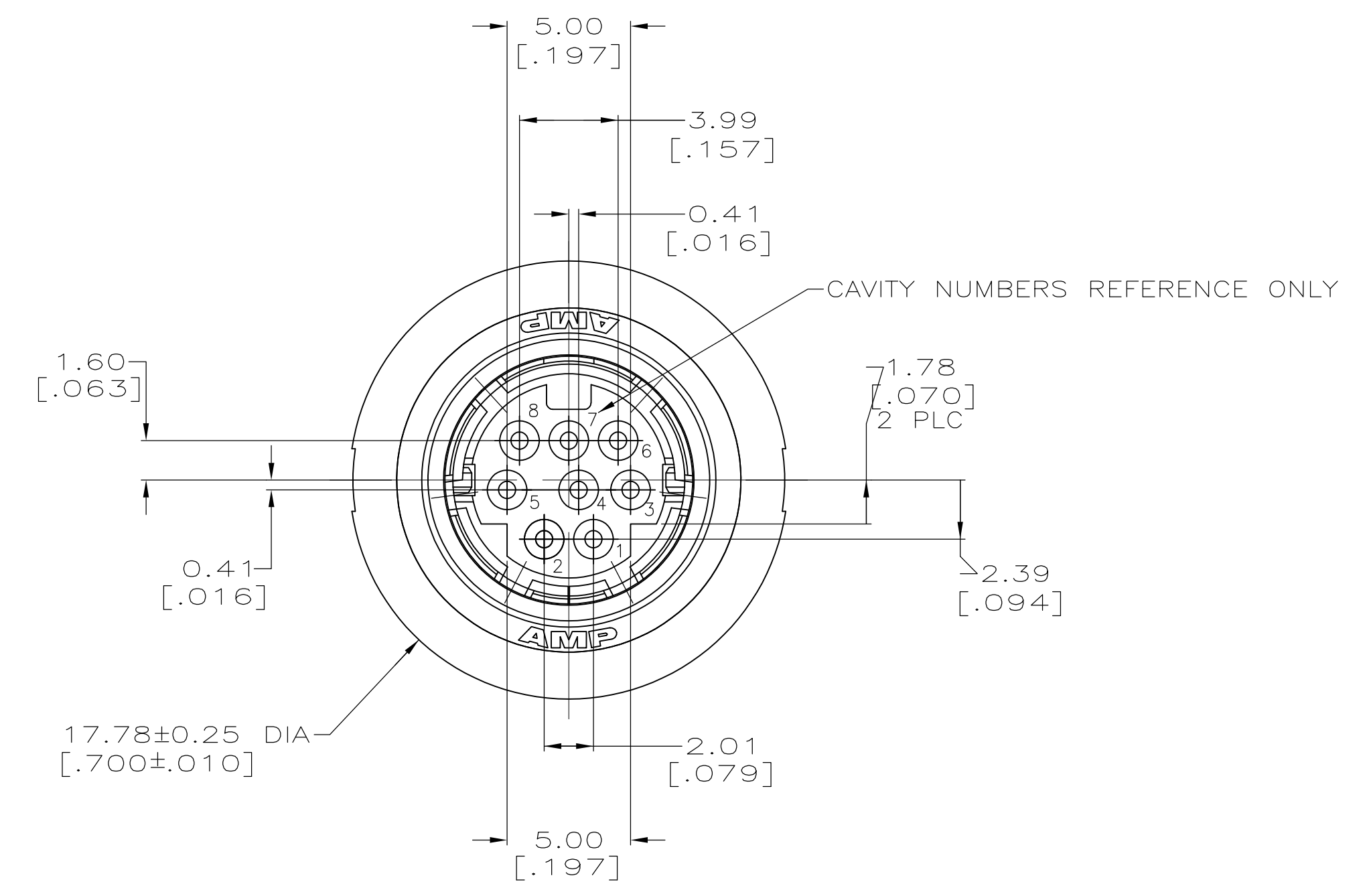
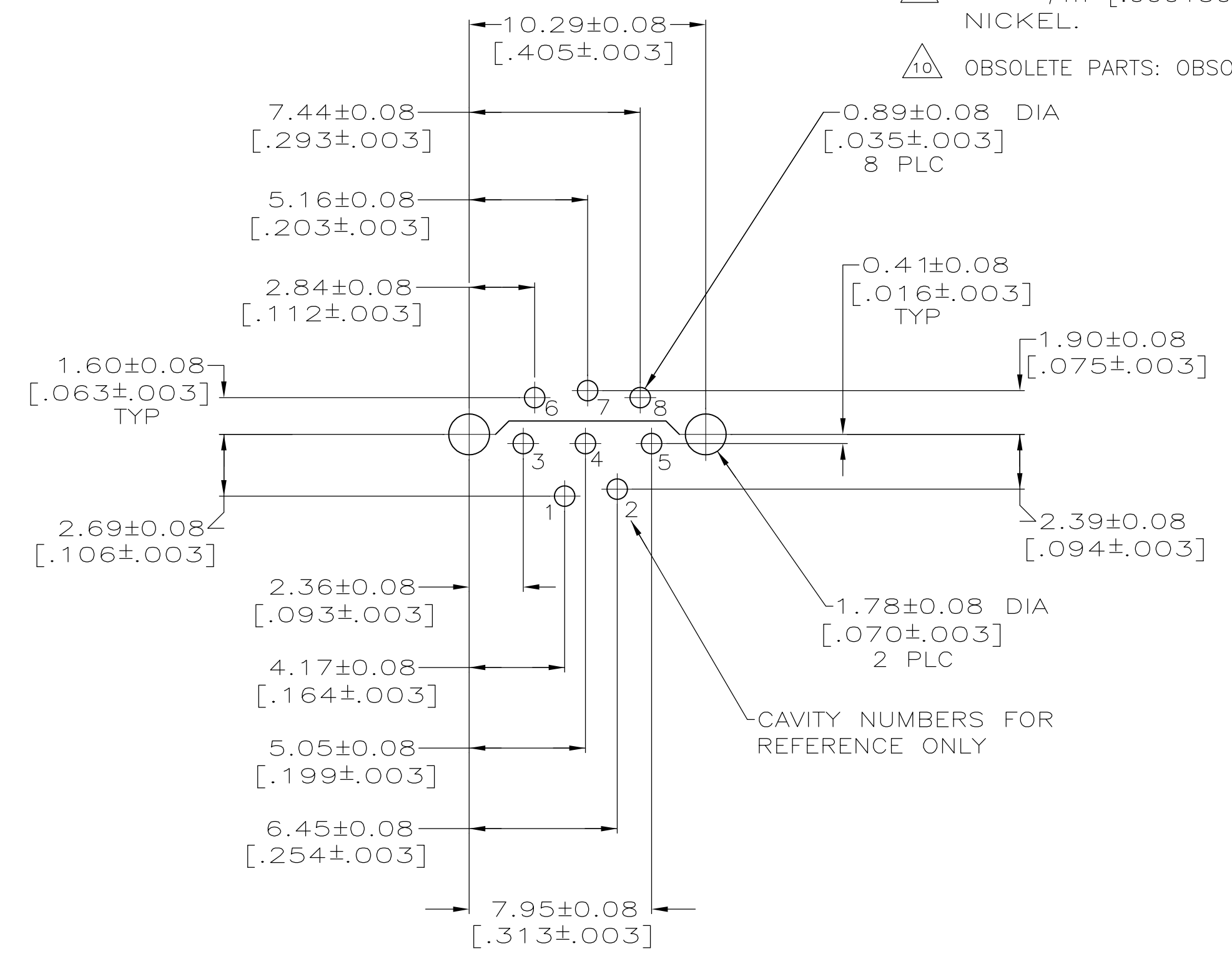
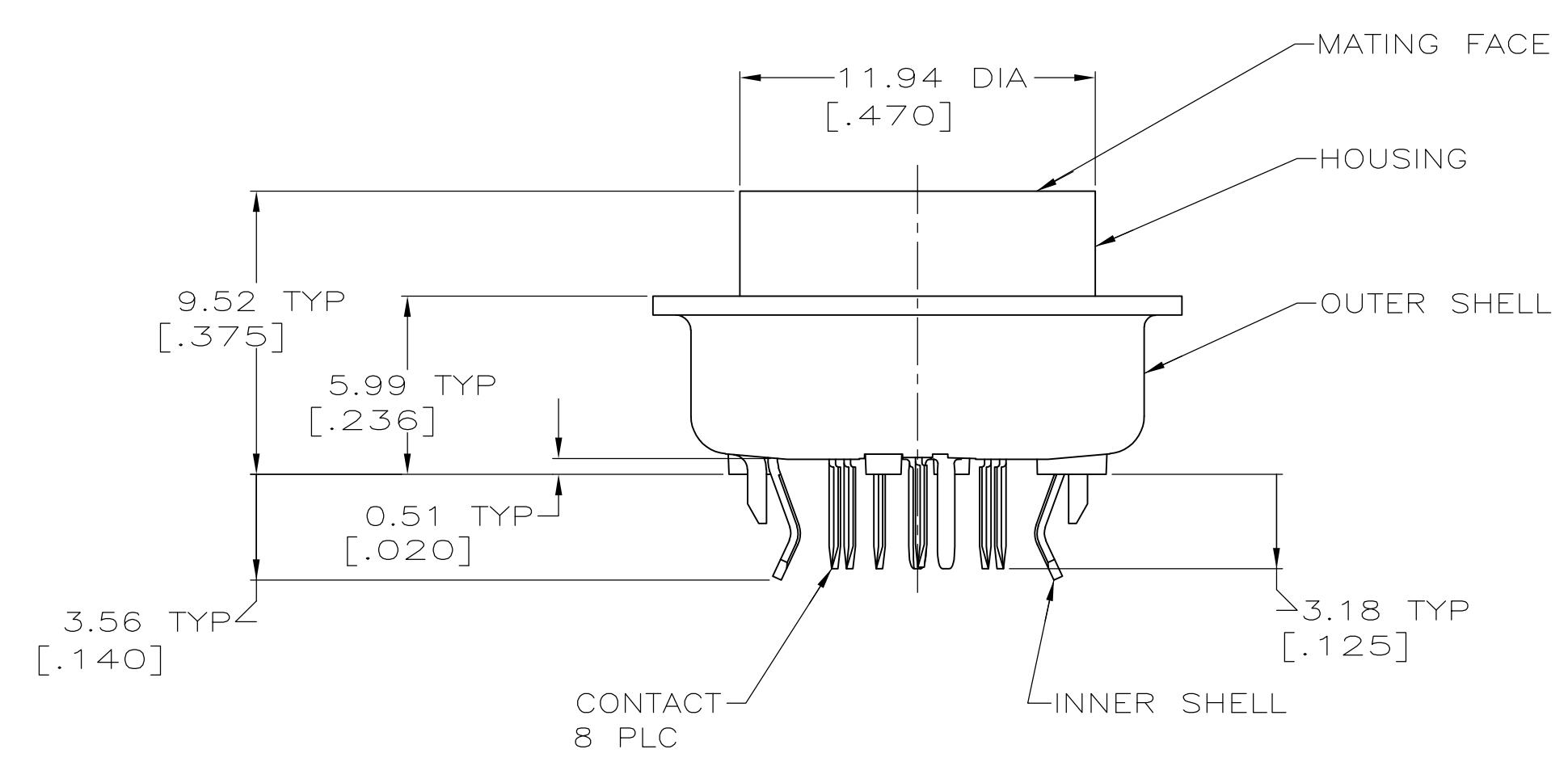


LOC		DIST		P		F		ZONE		LTR		REVISIONS		DATE	APPD	
GP	00															
													C1	REVISED PER ECO-09-023313	30DEC09	AEG
													C	REV PER EC OS13-0177-03	05/25/03	CR

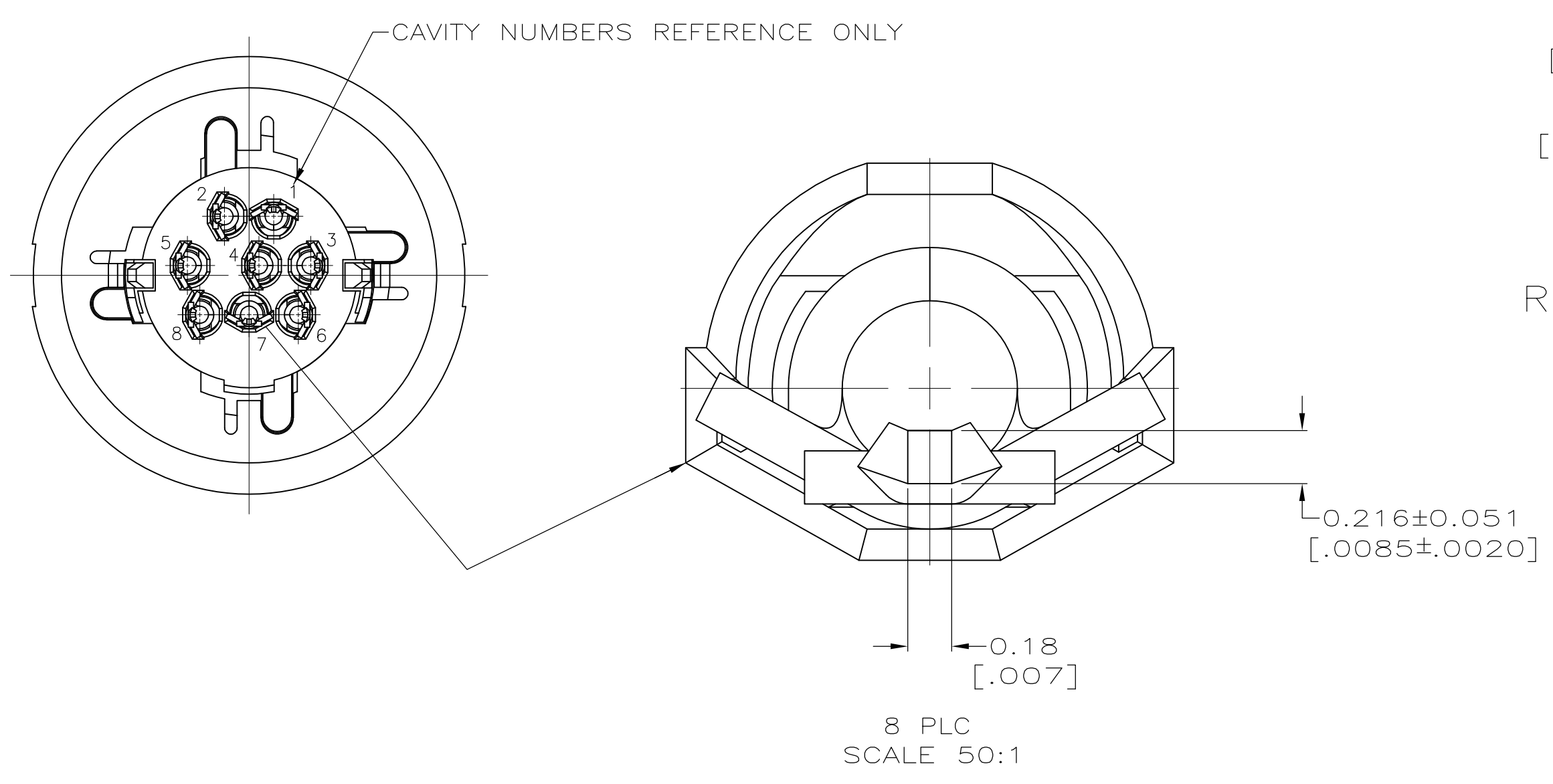


RECOMMENDED PANEL CUT-OUT

- ① SHELLS: BRASS; CONTACTS: PHOSPHOR BRONZE; HOUSING: POLYESTER, UL 94V-O RATED, BLACK.
- ② 0.76 μm [.000030] MIN GOLD ON MATING END FOR A LENGTH OF 1.37 [.054] MIN ON INSIDE, 2.54 μm [.000100] MIN TIN-LEAD FOR A LENGTH OF 3.30 [.130] MIN FROM OPPOSITE END, ALL OVER 1.27 μm [.000050] MIN NICKEL.
- ③ 0.38 μm [.000015] MIN GOLD ON MATING END FOR A LENGTH OF 1.37 [.054] MIN ON INSIDE, 2.54 μm [.000100] MIN TIN-LEAD FOR A LENGTH OF 3.30 [.130] MIN FROM OPPOSITE END, ALL OVER 1.27 μm [.000050] MIN NICKEL.
- ④ 2.54 μm [.000100] MIN TIN-LEAD OVER 1.27 μm [.000050] MIN NICKEL.
- ⑤ GOLD PLATING PER MIL-G-45204, TIN PLATING PER MIL-T-10727, NICKEL PLATING PER QQ-N-290, COPPER PLATING PER MIL-C-14550.
- ⑥ RECEPTACLE ASSEMBLY MATES WITH 8 PIN, 8.99±0.10 [.354±.004] DIAMETER PLUG.
- ⑦ 3.81 μm [.000150] MIN TIN-LEAD OVER 1.27 μm [.000050] MIN NICKEL.
- ⑧ 2.54 μm [.000100] MIN TIN OVER 1.27 μm [.000050] MIN NICKEL.
- ⑨ 3.81 μm [.000150] MIN TIN OVER 1.27 μm [.000050] MIN NICKEL.
- ⑩ OBSOLETE PARTS: OBSOLETE CIS STREAMLINING PER D.RENAUD/D.SINISI



RECOMMENDED PC BOARD LAYOUT  
BOTTOM VIEW



⑩	OBSOLETE	⑨	⑧	⑦	⑤	④	③	②	①	750338-3
	OBSOLETE	⑥	⑤	④	③	②	①			750338-2
		⑧	⑦	⑥	⑤	④	③	②	①	750338-1
										PART NO

DO NOT SCALE PRINT. UNLESS SPECIFIED DIMENSIONS IN mm [INCHES] TOLERANCES - ON : 2 PLC DEC ± 0.13 [.005] 3 PLC DEC ± - ANGLES ± -	DR 8-4-90 J McCLINTON CHK 9-5-90 R STONE APPD 9-5-90 R WHYNE APPD 9-10-90 J FULPONI	AMP Incorporated Harrisburg, PA 17105-3608			
MATERIAL	①	NAME RECEPTACLE ASSEMBLY, 8 POSN, LOW FLANGE, SHIELDED, VERTICAL, MINIATURE CIRCULAR DIN			
FINISH	SEE TABLE	APPLICATION SPEC	SIZE	CAGE CODE	DRAWING NO
WEIGHT	-	-	D	00779	750338
			SCALE	5:1	SHEET 1 OF 1

单击下面可查看定价，库存，交付和生命周期等信息

[>>TE Connectivity\(泰科\)](#)