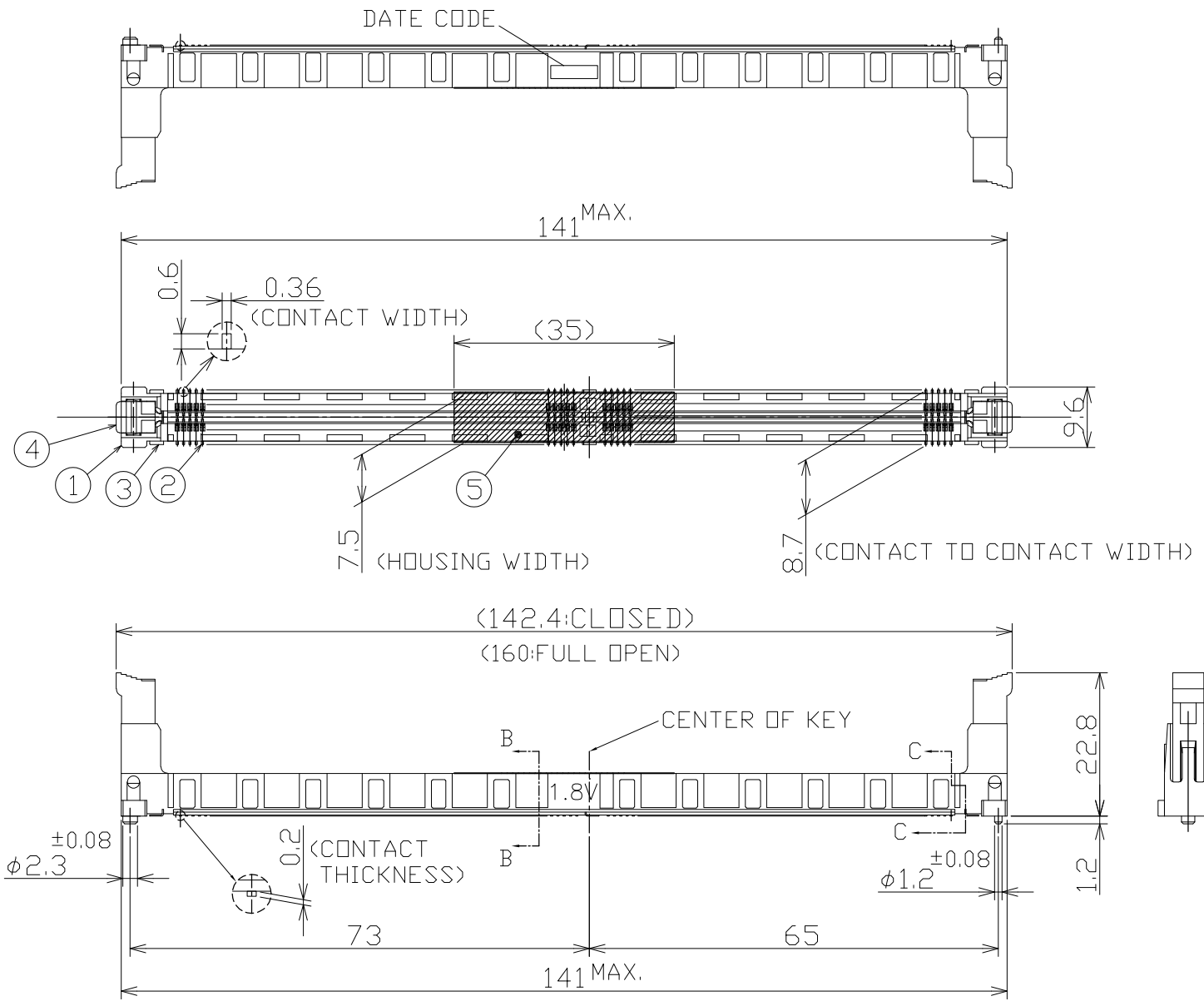
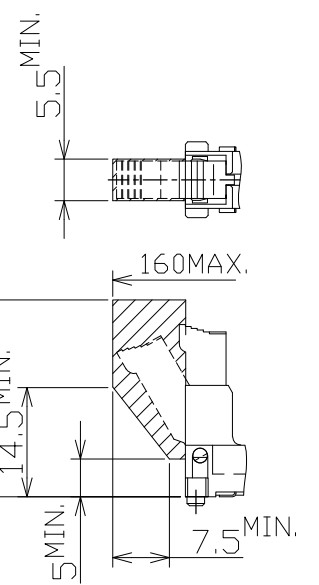
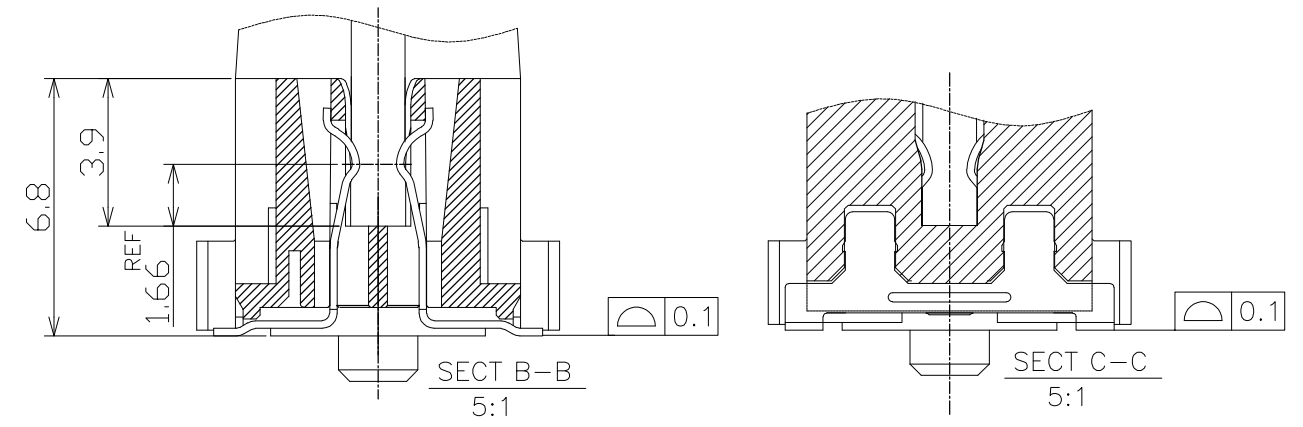


THIS DRAWING IS UNPUBLISHED. RELEASED FOR PUBLICATION
 © COPYRIGHT - By - ALL RIGHTS RESERVED.

LOC	DIST	REVISIONS					
J	/	P	LTR	DESCRIPTION	DATE	DWN	APVD
		C		REVISED ECR-11-019776	27SEP2011	I.T	C.W



- 1.MATERIAL**
 HOUSING : THERMOPLASTIC, UL94V-0, BLACK
 CONTACT : COPPER ALLOY
 SOLDER PEG : COPPER ALLOY
 EXTRACTOR : THERMOPLASTIC, UL94V-0
- 2.FINISH**
 CONTACT : Au PL. ON CONTACT AREA
 TIN PL. ON TINE AREA, Ni UNDER PL. ALL OVER
 SOLDER PEG : TIN PL., Ni UNDER PL. ALL OVER
- 3.GENERAL TOLERANCES :**
 10 ≥ : ±0.2
 100 ≥ >10 : ±0.3
 ANGLES : ±3°
- 4.CHECK THE EXTRACTOR IS NOT OPEN BEFORE REFLOW AT CUSTOMER LINE.**



KEEP OUT AREA RESERVED FOR EXTRACTORS
 (HATCHING AREA, 2 PLC TYP.)

30u" Au MIN or 3u" MIN Au+27u" Pd Ni	1-1939495-1
2u" Au MIN FLASH	1939495-4 1939495-1
CONTACT GOLD INTERFACE	PART NUMBER

2	EXTRACTOR	(4)
3	SOLDER PEG	(3)
240	CONTACT	(2)
1	HOUSING	(1)
QTY	NAME	ITEM
WITHOUT TAPE		1939495-4
REMARKS		PART NUMBER

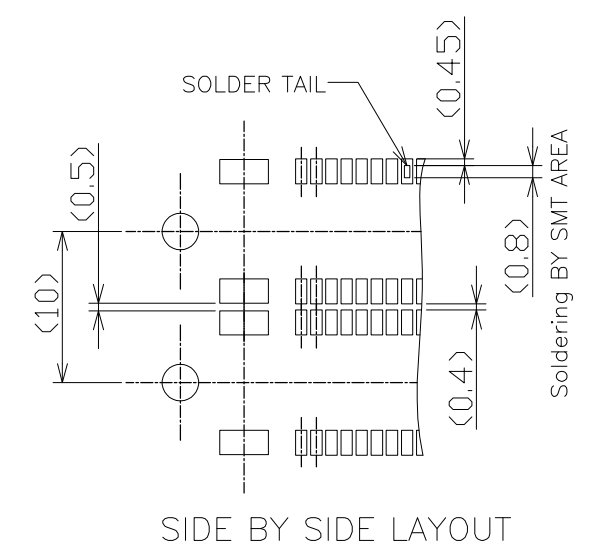
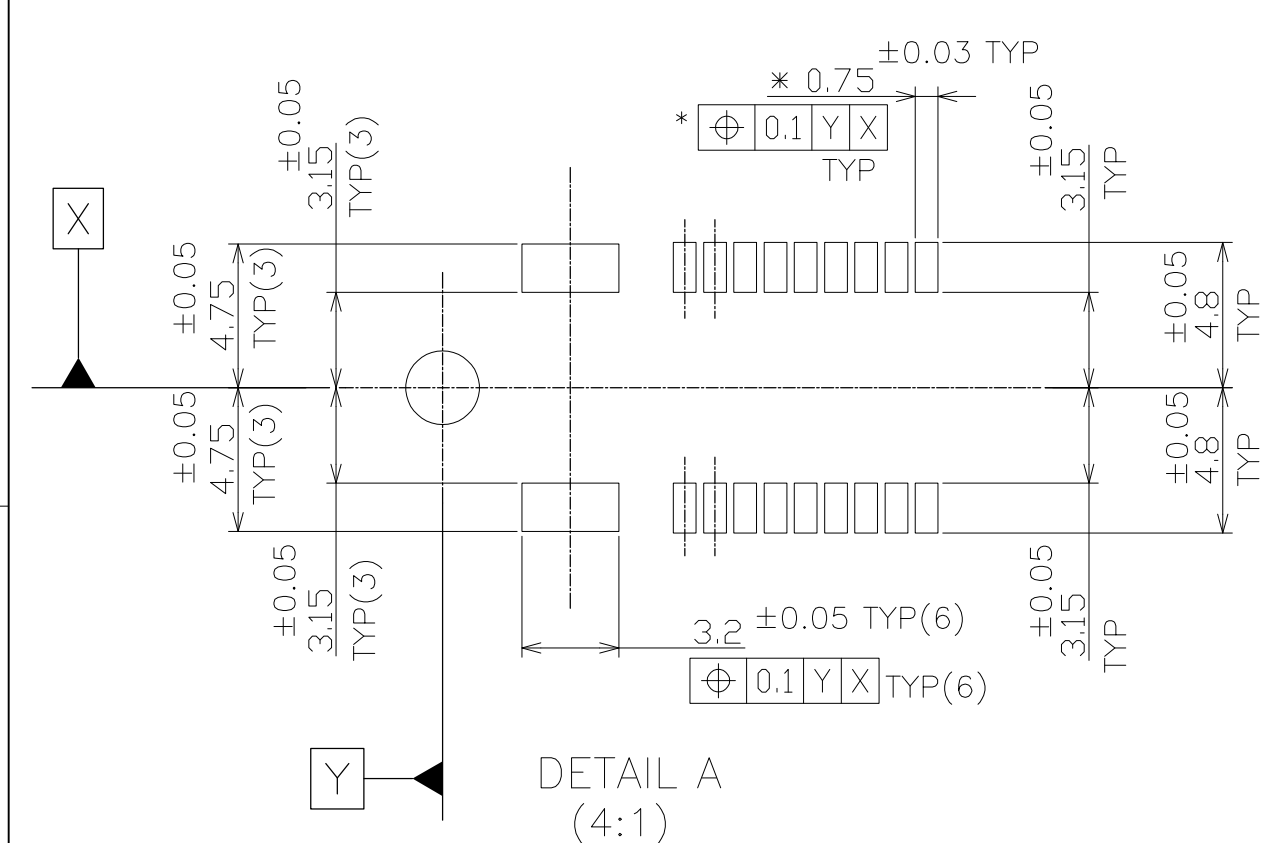
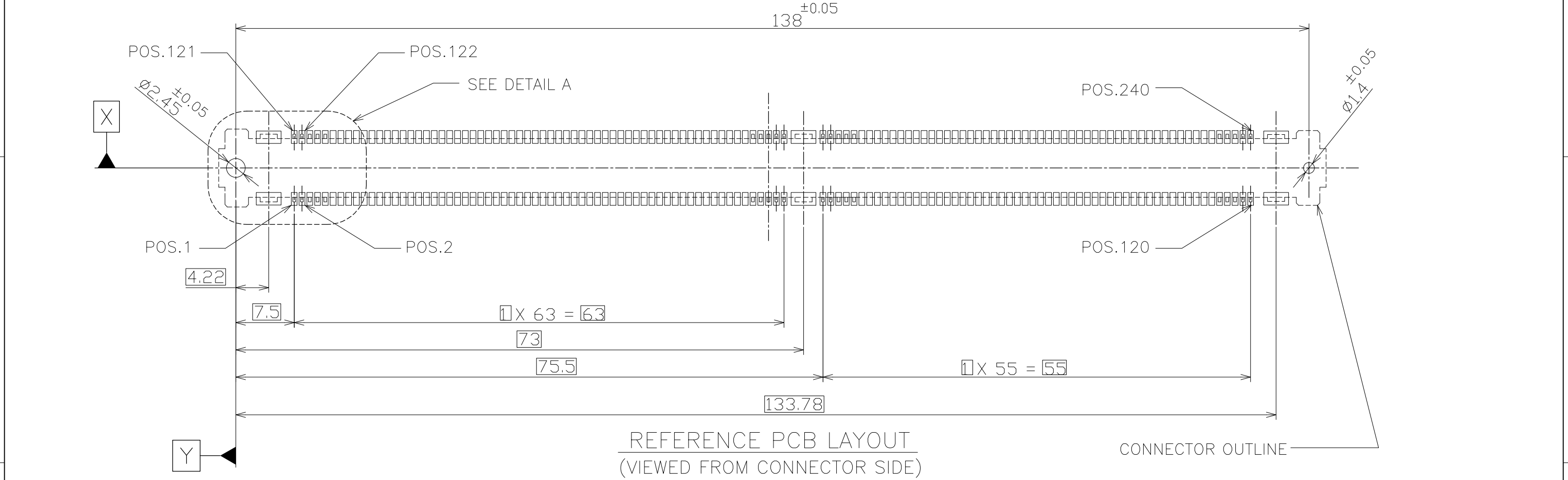
1	TAPE	(5)
2	EXTRACTOR	(4)
3	SOLDER PEG	(3)
240	CONTACT	(2)
1	HOUSING	(1)
QTY	NAME	ITEM
WITH TAPE		1-1939495-1
REMARKS		1939495-1
		PART NUMBER

THIS DRAWING IS A CONTROLLED DOCUMENT.

DWN	H.FUKUZAKI	27MAR07	 TE Connectivity	SOCKET ASSEMBLY DDR-II, SMT, 240P
CHK	T.YAMADA	27MAR07		
APVD	T.YAMADA	27MAR07		
NAME	T.YAMADA			
PRODUCT SPEC	108-78453		SIZE	A3
APPLICATION SPEC	取付適用規格		CAGE CODE	00779
MATERIAL	材料	FINISH	DRAWING NO	G-1939495
WEIGHT	8.58g	CUSTOMER DRAWING	RESTRICTED TO	-
			SCALE	1:1
			SHEET	1 OF 4
			REV	C

THIS DRAWING IS UNPUBLISHED. RELEASED FOR PUBLICATION
 © COPYRIGHT - By - ALL RIGHTS RESERVED.

LOC	DIST	REVISIONS					
J	/	P	LTR	DESCRIPTION	DATE	DWN	APVD
		-	-	SEE SHEET 1	-	-	-

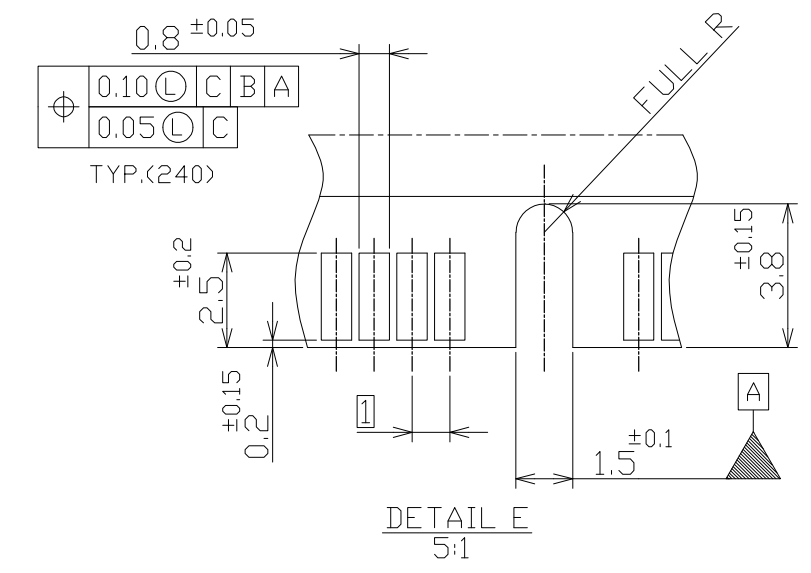
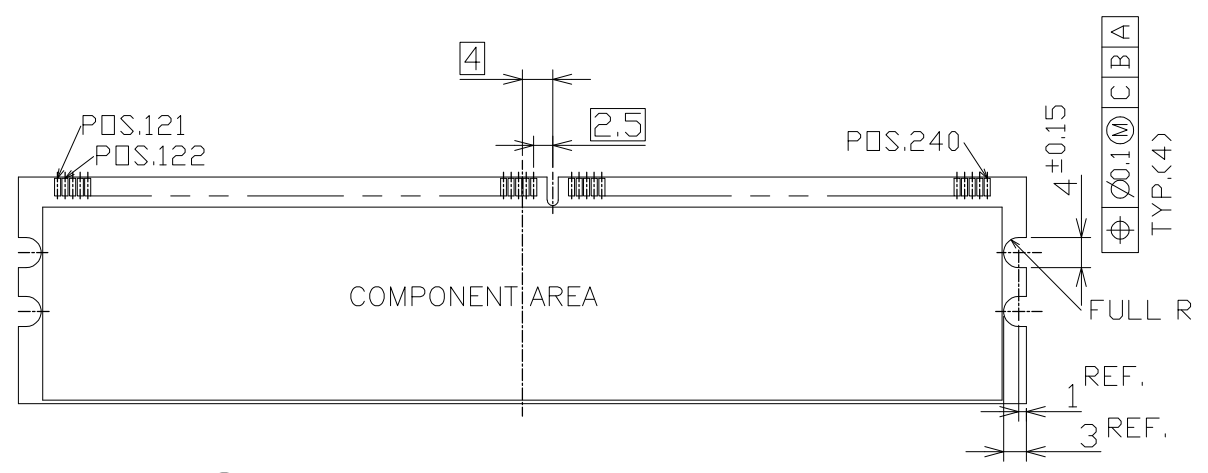
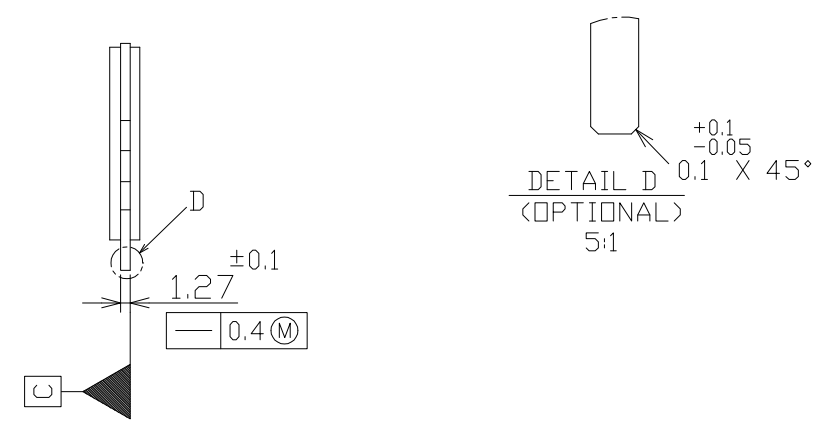
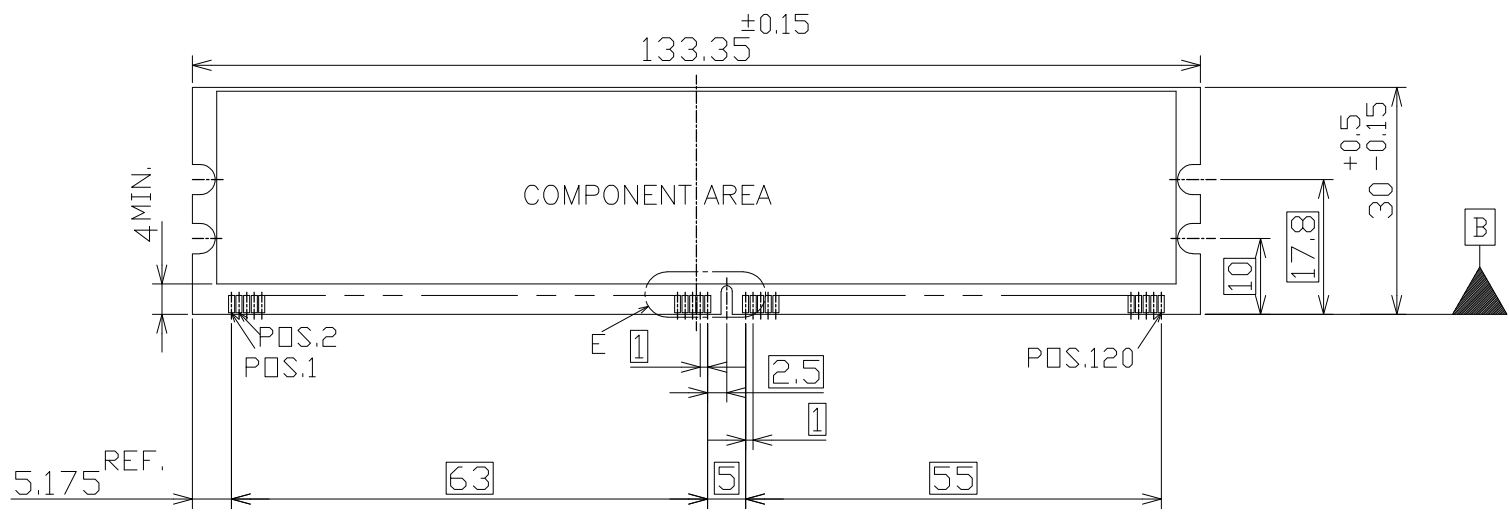


THIS DRAWING IS A CONTROLLED DOCUMENT.		DWN	-		TE Connectivity	NAME		SOCKET ASSEMBLY				
DIMENSIONS: 单位: 耗 mm		CHK	-			名称		DDR-II, SMT, 240P				
TOLERANCES UNLESS OTHERWISE SPECIFIED: 一般公差		APVD	-		PRODUCT SPEC		製品規格		SIZE A3	CAGE CODE 00779	DRAWING NO C-1939495	RESTRICTED TO 番号 -
0 PLC ± -		APPLICATION SPEC		取付適用規格		SCALE		2:1				
1 PLC ± -		WEIGHT		-		SHEET		2 OF 4				
2 PLC ± -		CUSTOMER DRAWING		-		REV		C				
3 PLC ± -												
4 PLC ± -												
ANGLES ± -												
FINISH 仕上												
MATERIAL 材料												

*: TOLERANCE; NON-CUMMIRATIVE

THIS DRAWING IS UNPUBLISHED. RELEASED FOR PUBLICATION
 © COPYRIGHT - By - ALL RIGHTS RESERVED.

LOC	DIST	REVISIONS			DATE	DWN	APVD
J	/	P	LTR	DESCRIPTION			
		-		SEE SHEET 1	-	-	-



REV.2 REFERENCE DIMM PCB LAYOUT
 (BASED ON STANDARD OF JEDEC MO-237)

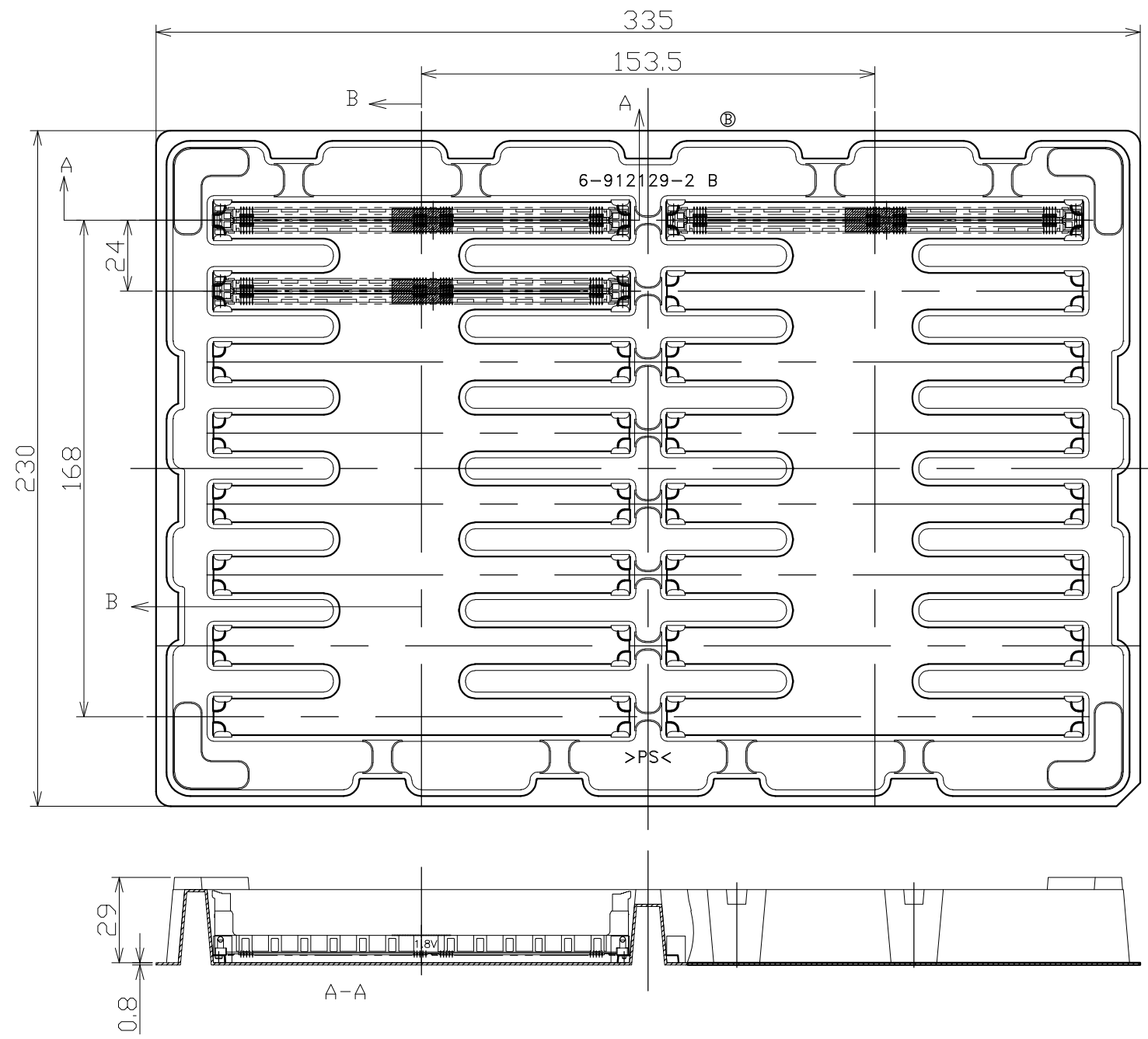
RECOMMENDED PLATING FOR CONTACT PADS ARE:

- 1) PREFERABLE PLATING : ELECTROLYTIC GOLD PLATING 0.76 MICROMETERS MINIMUM OVER ELECTROLYTIC NICKEL 2.00 MICROMETERS MINIMUM.
- 2) ALTERNATIVE PLATING : GOLD PLATING 0.05-0.75 MICROMETERS OVER NICKEL 2.00 MICROMETERS MINIMUM MUST USE AN ELECTRONIC CONTACT GRADE CORROSIVE BARRIER LUBRICANT.

THIS DRAWING IS A CONTROLLED DOCUMENT.		DWN	TE Connectivity		
DIMENSIONS: 单位: 耗 mm		CHK			
TOLERANCES UNLESS OTHERWISE SPECIFIED: 一般公差		APVD	NAME 名称		
0 PLC ± -		PRODUCT SPEC 製品規格	SOCKET ASSEMBLY		
1 PLC ± -		APPLICATION SPEC 取付適用規格	DDR-II, SMT, 240P		
2 PLC ± -		WEIGHT	SIZE	CAGE CODE	DRAWING NO 番号
3 PLC ± -			A3	00779	C-1939495
4 PLC ± -			RESTRICTED TO		
ANGLES ± -			SCALE 尺度 1:1		
MATERIAL 材料			SHEET 3 OF 4		
FINISH 仕上			REV C		
CUSTOMER DRAWING					

THIS DRAWING IS UNPUBLISHED. RELEASED FOR PUBLICATION
 © COPYRIGHT - By - ALL RIGHTS RESERVED.

LOC J	DIST /	REVISIONS 変更		
P	LTR	DESCRIPTION	DATE	DWN APVD
-	-	SEE SHEET 1	-	- -



TRAY : A TYPE AND B TYPE
 QTY : 16EA / TRAY

THIS DRAWING IS A CONTROLLED DOCUMENT.		DWN	TE Connectivity		
DIMENSIONS: 単位: 耗 mm		CHK	NAME 名称		
TOLERANCES UNLESS OTHERWISE SPECIFIED: 一般公差		APVD	SOCKET ASSEMBLY DDR-II, SMT, 240P		
0 PLC ± - 1 PLC ± - 2 PLC ± - 3 PLC ± - 4 PLC ± - ANGLES ± -		PRODUCT SPEC 製品規格	SIZE	CAGE CODE	DRAWING NO 番号
MATERIAL 材料		APPLICATION SPEC 取付適用規格	A3	00779	G-1939495
FINISH 仕上		WEIGHT	RESTRICTED TO		
CUSTOMER DRAWING			SCALE 尺度	SHEET	REV
			NTS	4 OF 4	C

单击下面可查看定价，库存，交付和生命周期等信息

[>>TE Connectivity\(泰科\)](#)