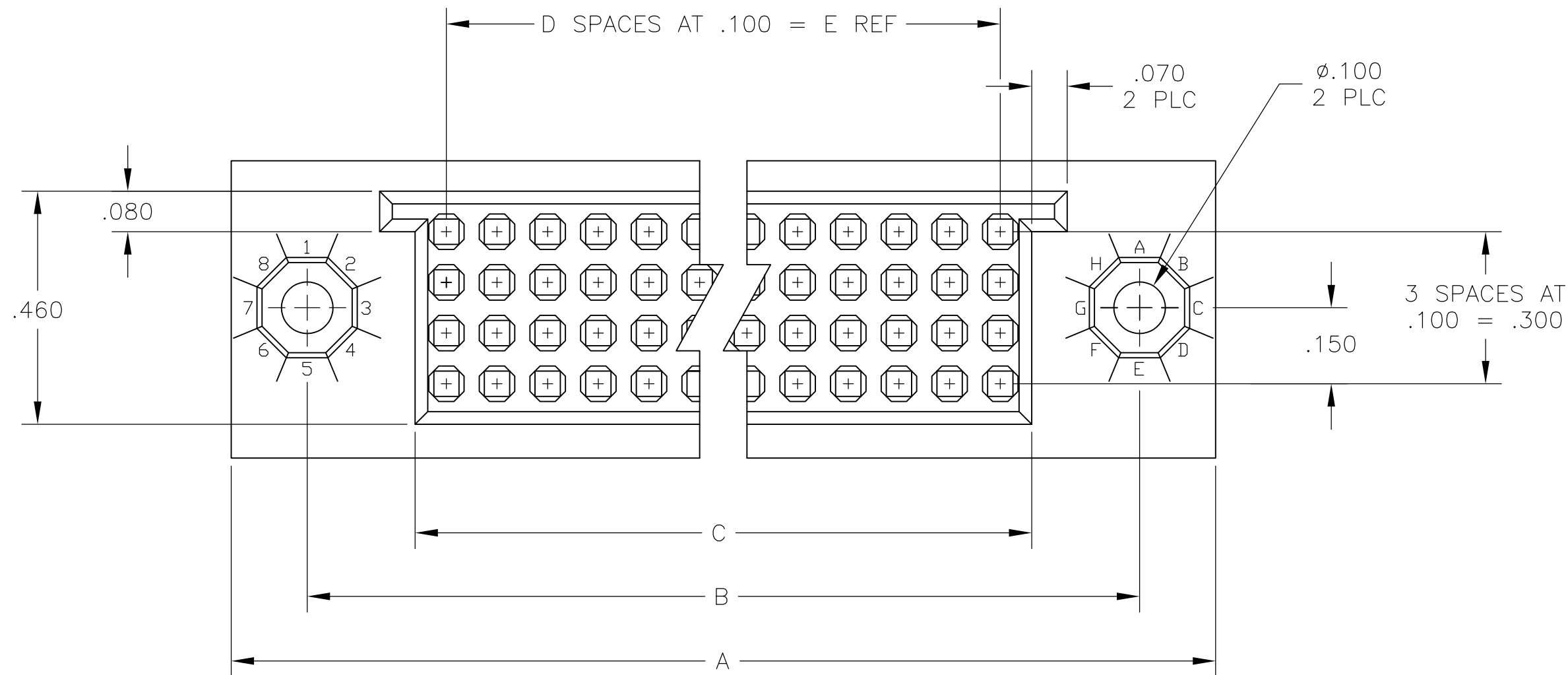
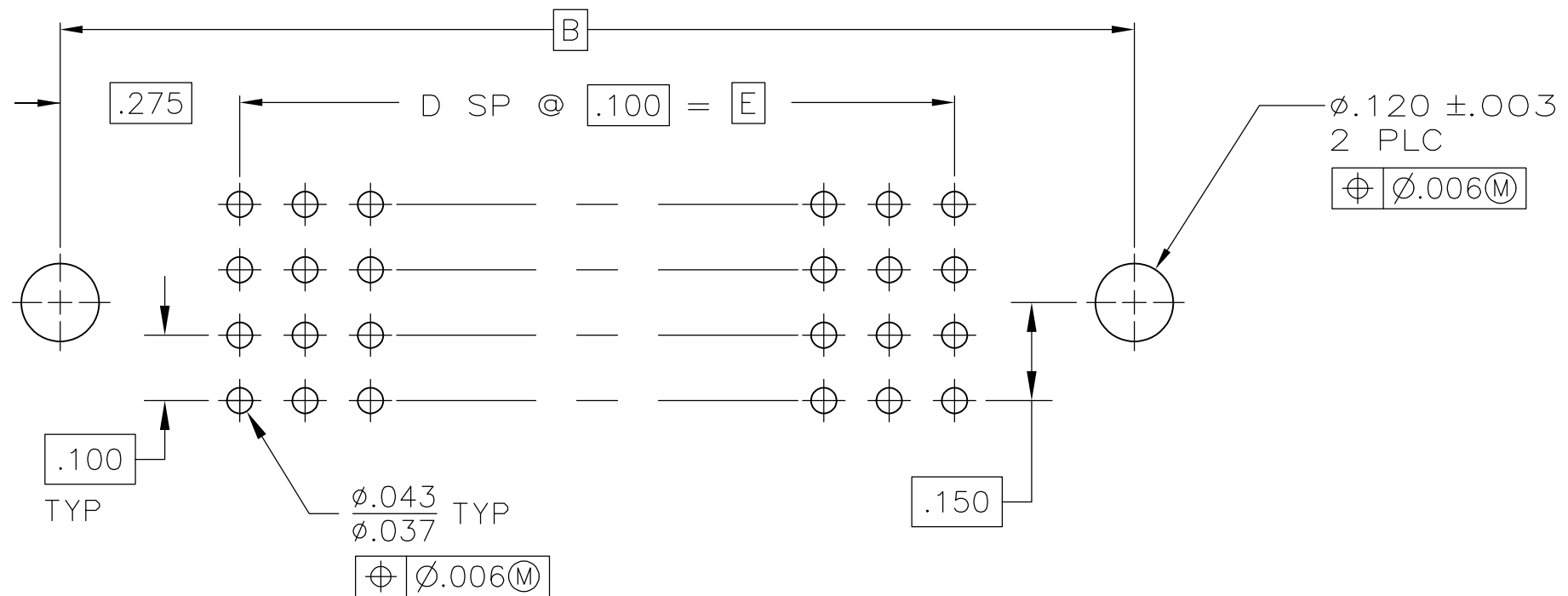
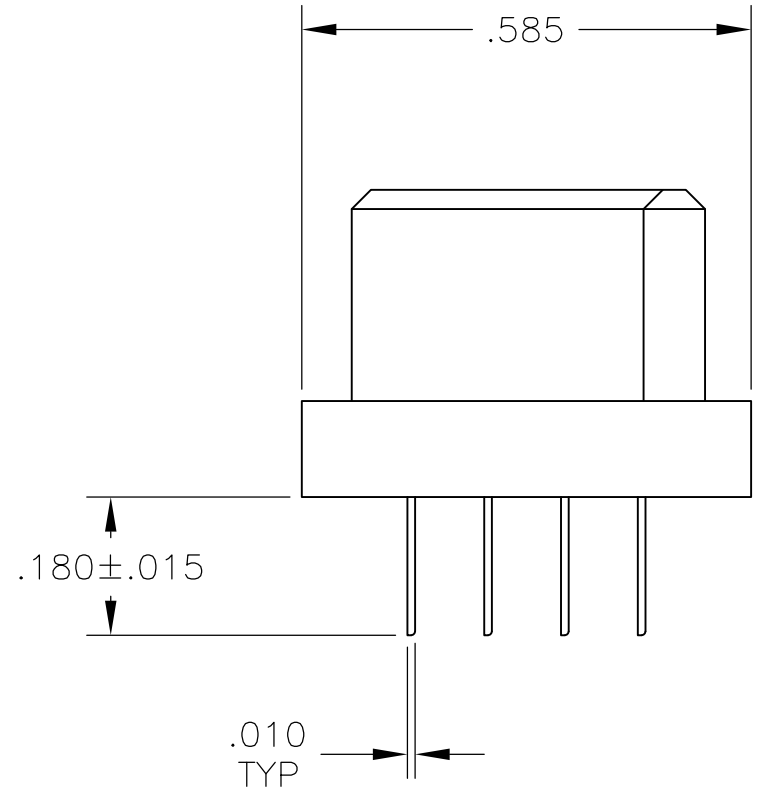
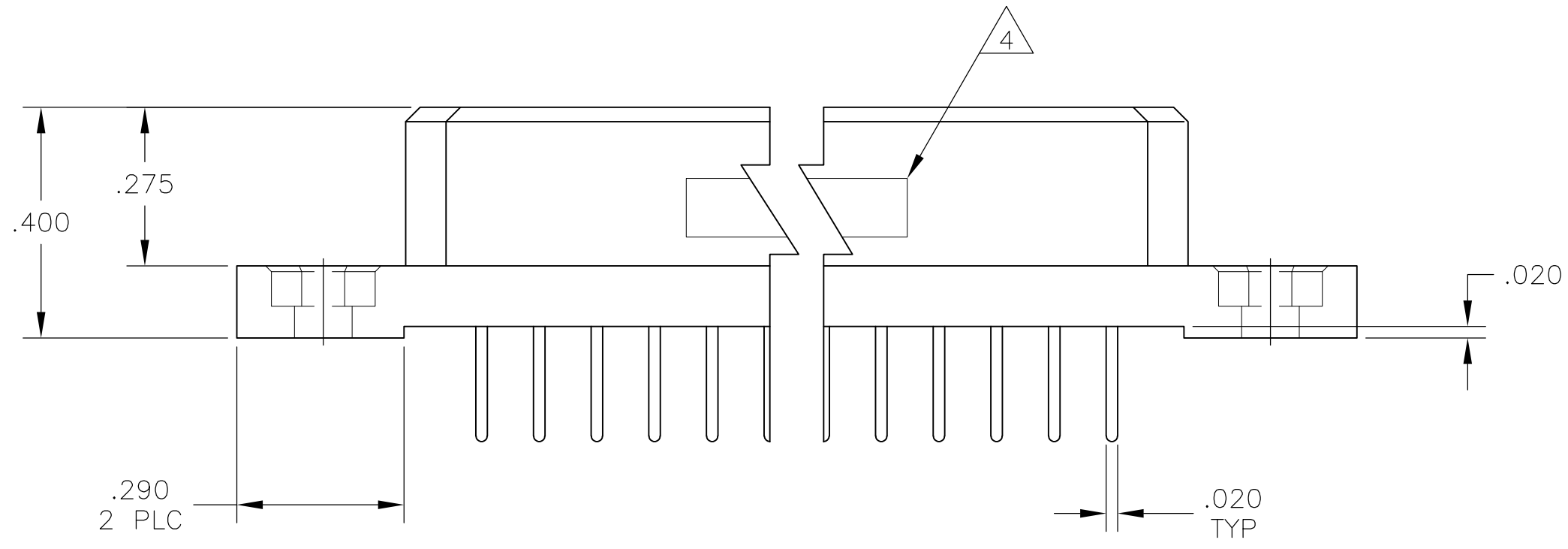


THIS DRAWING IS UNPUBLISHED. RELEASED FOR PUBLICATION - .N/A .
 © COPYRIGHT N/A By - ALL RIGHTS RESERVED.

Loc		DIST		REVISIONS			
P	LTR	DESCRIPTION	DATE	DWN	APVD		
	F	REV PER ECO-12-009804	22JUN12	PY	DM		



- 1 HOUSING MATERIAL: POLYPHENYLENE SULFIDE. COLOR: NATURAL (BROWN).
- 2 CONTACT MATERIAL: BERYLLIUM COPPER OR COPPER-NICKEL-SILICON PER UNS C70260.
- 3 CONTACT FINISH: NICKEL UNDERPLATE .000050-.000100 THK ALL OVER. GOLD .000030 THK IN CONTACT AREA. TIN-LEAD PLATED SOLDER TAILS.
- 4 TE, PART NO. & DATE CODE MARKED IN THIS APPROXIMATE AREA.
- 5 CONTACT FINISH: NICKEL UNDERPLATE .000050-.000100 THK ALL OVER. GOLD .000030 THK IN CONTACT AREA. TIN PLATED SOLDER TAILS (LEAD FREE).



PC BOARD LAYOUT

5	5.700	57	5.824	6.250	6.550	232	5-533499-2
5	5.300	53	5.424	5.850	6.150	216	5-533499-1
3	5.700	57	5.824	6.250	6.550	232	533499-2
3	5.300	53	5.424	5.850	6.150	216	533499-1
	E	D	C	B	A	POSN	PART NUMBER

THIS DRAWING IS A CONTROLLED DOCUMENT.

DIMENSIONS: INCHES	TOLERANCES UNLESS OTHERWISE SPECIFIED:	DWN L. BRINER 12-NOV-87	TE Connectivity
		CHK G. STEINHAUER 17-NOV-87	
		APVD G. STEINHAUER 17-NOV-87	NAME
		PRODUCT SPEC	BOX II ASSEMBLY
		APPLICATION SPEC	4 ROW WITH
			.180 SOLDER TAILS
MATERIAL	FINISH	WEIGHT	SIZE CAGE CODE DRAWING NO
1-2	3	-	A2 00779 C=533499
CUSTOMER DRAWING			RESTRICTED TO
SCALE 4:1			SHEET 1 OF 1
			REV F

单击下面可查看定价，库存，交付和生命周期等信息

[>>TE Connectivity\(泰科\)](#)