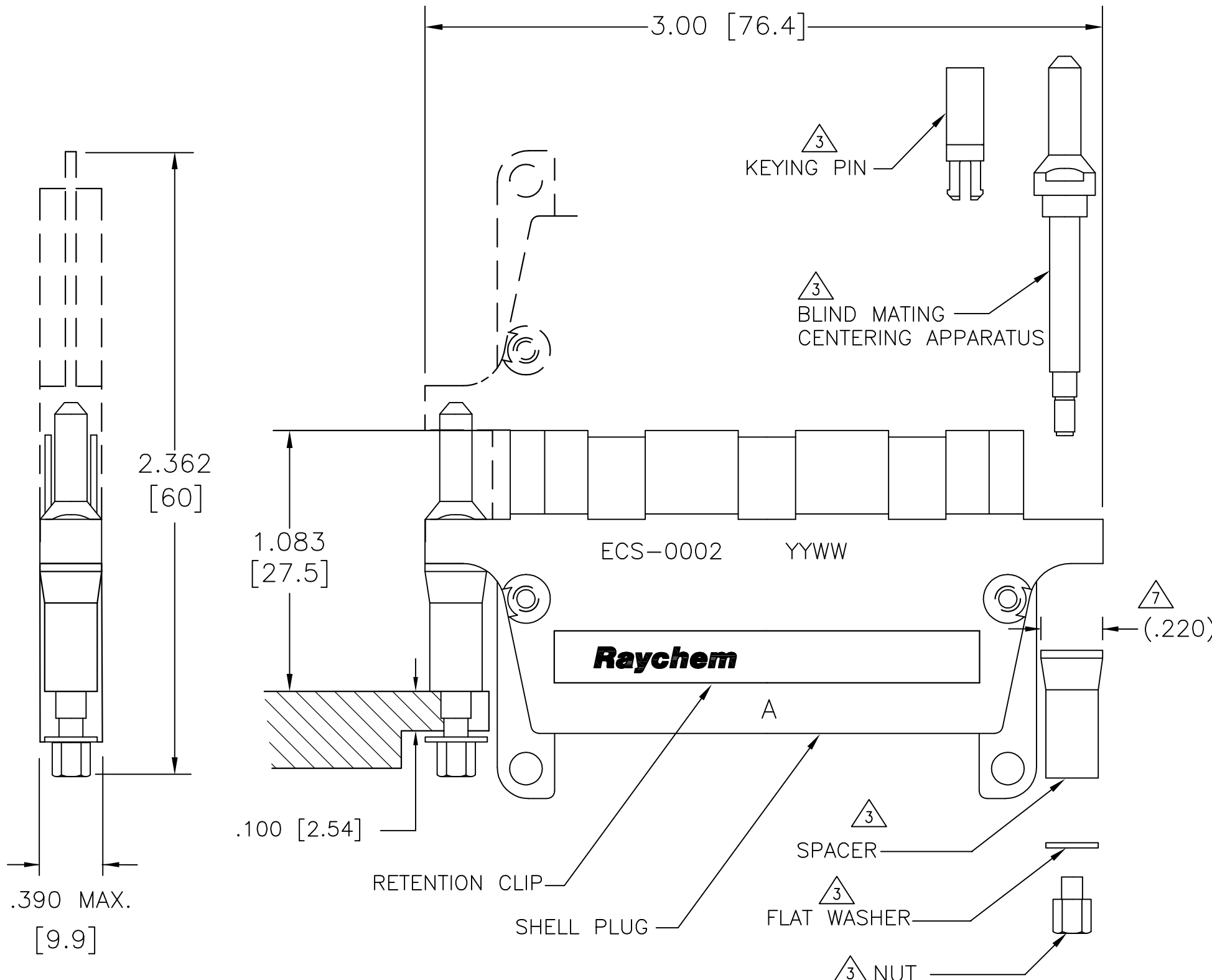
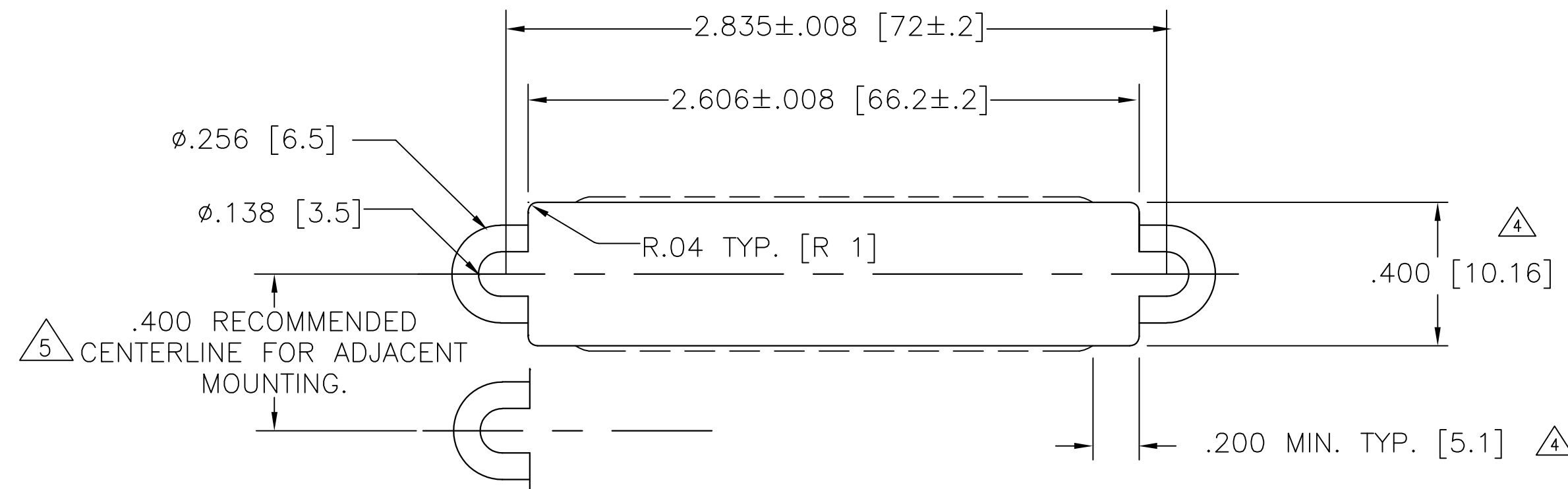


LOC		DIST		REVISIONS			
P	LTR	DESCRIPTION		DATE	OWN	APVD	
	G	ECO-13-012568		14AUG13	KG	MS	



- NOTES:
- MATERIAL:
 - A) SHELL PLUG ALUMINUM ALLOY PER QQ-A-591
 - B) RETENTION CLIP COPPER ALLOY 172 PER QQ-C-533
 - C) BLIND MATING CENTERING APPARATUS STAINLESS STEEL PER QQ-S-763, 300 SERIES
 - D) NUT STAINLESS STEEL PER QQ-S-763, 300 SERIES
 - E) SPACER STAINLESS STEEL PER QQ-S-763, 300 SERIES
 - F) FLAT WASHER STAINLESS STEEL PER QQ-S-763 OR QQ-S-766, 300 SERIES
 - G) KEYING PIN HIGH GRADE POLYARYLENE THERMOPLASTIC, MOLDED
 - FINISH:
 - A) SHELL PLUG CADMIUM PLATED PER QQ-P-416 OVER NICKEL UNDERPLATE
 - B) RETENTION CLIP CADMIUM PLATED PER QQ-P-416
 - C) BLIND MATING CENTERING APPARATUS CADMIUM PLATED PER QQ-P-416
 - D) NUT CADMIUM PLATED PER QQ-P-416
 - E) SPACER CADMIUM PLATED PER QQ-P-416
 - F) FLAT WASHER CADMIUM PLATED PER QQ-P-416

- △ 3 THESE ITEMS ARE SUPPLIED UNASSEMBLED.
- △ 4 THE DIMENSION OF .400 WIDTH MUST BE MAINTAINED FOR .200 MINIMUM LENGTH EACH SIDE FOR PROPER ALIGNMENT. AFTER THAT VARIATION IN .400 DIMENSION IS PERMISSIBLE.
- △ 5 PANEL CUT OUT FOR STACKING CONDITION MAY VARIES, DEPENDING ON THE APPLICATION.
6. MATING CONNECTOR: ECS-0004
- △ 7 LARGER DIAMETER END (.220) REF OF TAPERED SPACER TO BE ORIENTED TOWARDS SHELL FLANGE DURING ASSEMBLY AT 2 PLACES.



△ 5 PANEL CUT OUT

THIS DRAWING IS A CONTROLLED DOCUMENT.		DWN K.GLATFELTER 13AUG2013	TE Connectivity
DIMENSIONS: INCHES [mm]		CHK M.SPICER 13AUG2013	
TOLERANCES UNLESS OTHERWISE SPECIFIED:		APVD M.SPICER 13AUG2013	NAME 2 - INCH PLUG, BLIND MATING MTC SERIES
0 PLC ± -	1 PLC ± -	PRODUCT SPEC	SIZE A2
2 PLC ± .02 [0.5]	3 PLC ± .005 [0.13]	APPLICATION SPEC	CAGE CODE 00779
4 PLC ± ± -	ANGLES ± ± -	WEIGHT .060 LB [27.0] GRAMS	DRAWING NO ECS-0002
MATERIAL	FINISH	CUSTOMER DRAWING	RESTRICTED TO
		SCALE NTS	SHEET 1 OF 1
		REV G	

单击下面可查看定价，库存，交付和生命周期等信息

[>>TE Connectivity\(泰科\)](#)