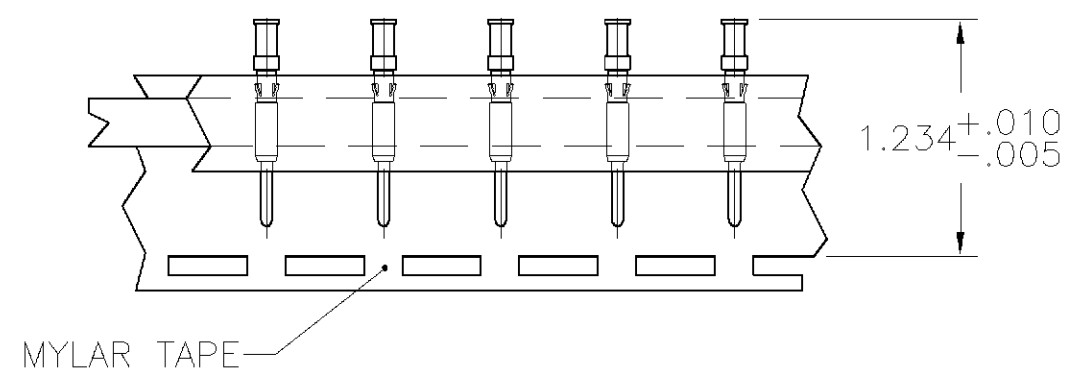
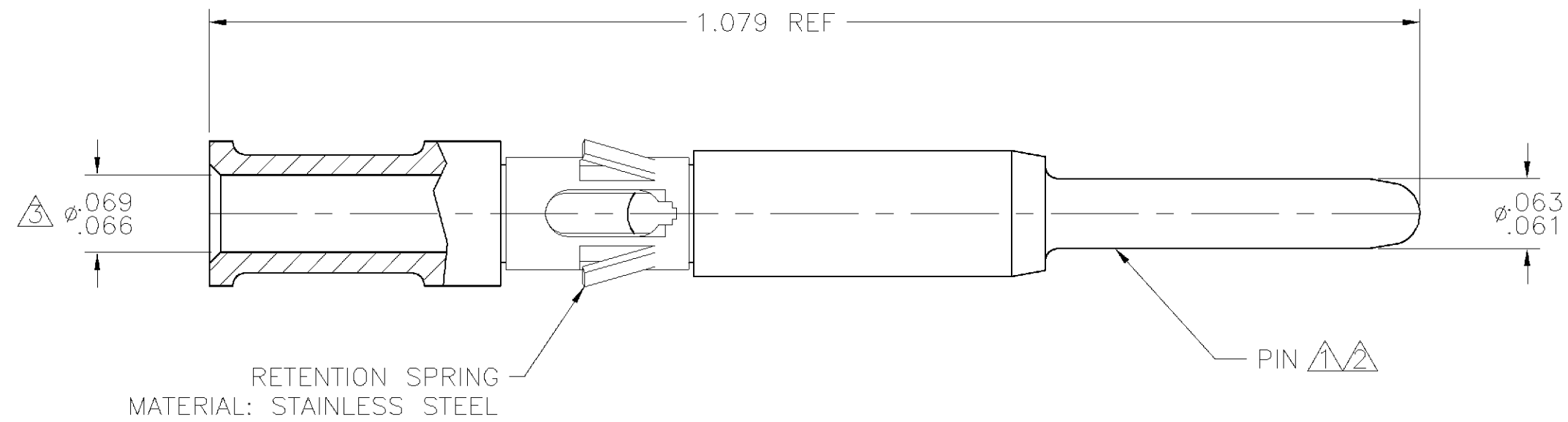


THIS DRAWING IS UNPUBLISHED. RELEASED FOR PUBLICATION
 © COPYRIGHT BY TYCO ELECTRONICS CORPORATION. ALL RIGHTS RESERVED.

LOC		DIST		REVISIONS			
P	LTR	DESCRIPTION	DATE	DWN	APVD		
FT	0	A	RELEASE PER 0G3B-0297-02	5/22/02	SS	GS	

NOTES:

- ① MATERIAL: COPPER ALLOY
- ② FINISH: 200 μINCH MIN SILVER OVER 50 μINCH MIN. NICKEL
- ③ WIRE BARREL WILL ACCEPT 18-16 AWG WIRE.
- ④ WHEN ORDERING CONTACT ASSEMBLIES ON TAPE, ORDER BY PART NUMBER PLUS THE PACKAGING CODE AS FOLLOWS:
 A. 5000 PARTS PER REEL ADD PACKAGING CODE: 5MREEL
 I.E. ORDER #796964-2 5MREEL.



TAPE MTG DETAIL ④
 796964-2 ONLY

④ TAPE MTG (SEE DETAIL)	796964-2
STANDARD	796964-1
PACKAGING TYPE	PART NO

THIS DRAWING IS A CONTROLLED DOCUMENT.		DWN	S SCHLEGEL	5/22/02	Tyco Electronics Corporation Harrisburg, PA 17105		
DIMENSIONS: INCHES		CHK	G STEINHAUER	5/22/02			
TOLERANCES UNLESS OTHERWISE SPECIFIED:		APVD	G STEINHAUER	5/22/02			
0 PLC ± - 1 PLC ± - 2 PLC ± .01 3 PLC ± .005 4 PLC ± - ANGLES ± -		PRODUCT SPEC	NAME				
MATERIAL		WEIGHT		SIZE	CAGE CODE	DRAWING NO	RESTRICTED TO
- ①		-		A2	00779	C=796964	-
FINISH		CUSTOMER DRAWING		SCALE	SHEET	OF	REV
- ②				8:1	1	1	A

单击下面可查看定价，库存，交付和生命周期等信息

[>>TE Connectivity\(泰科\)](#)