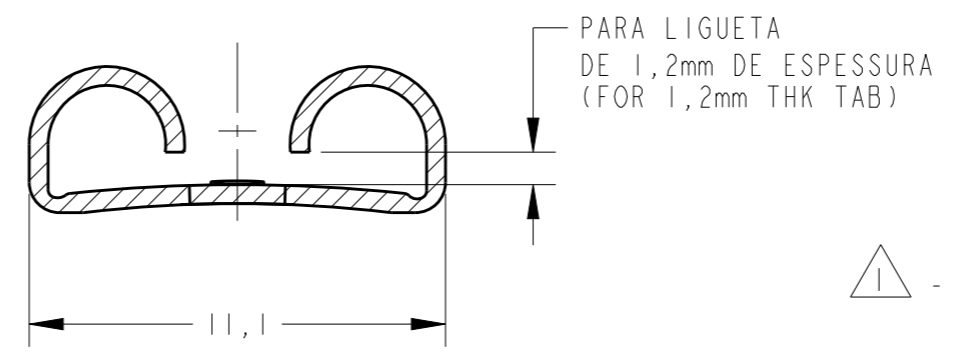
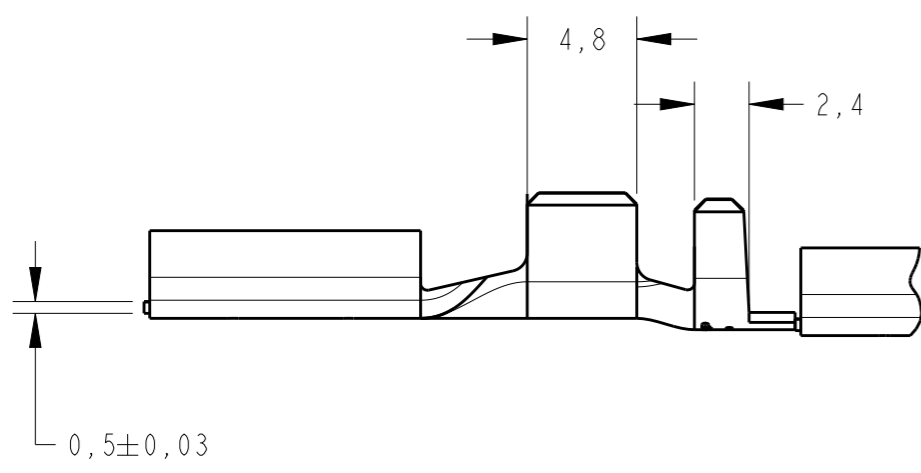
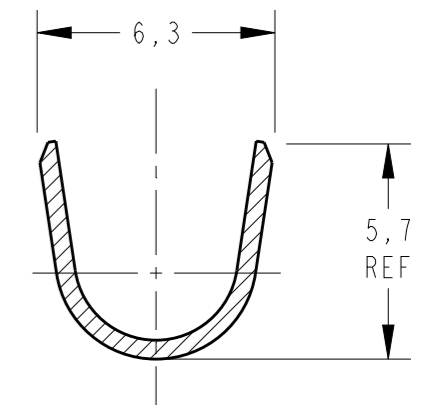
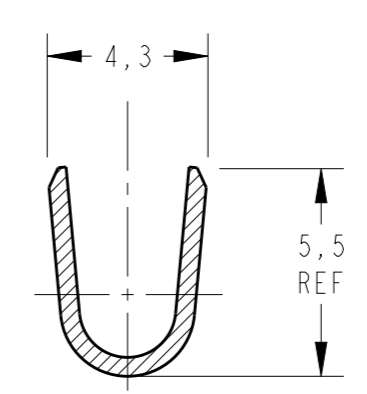
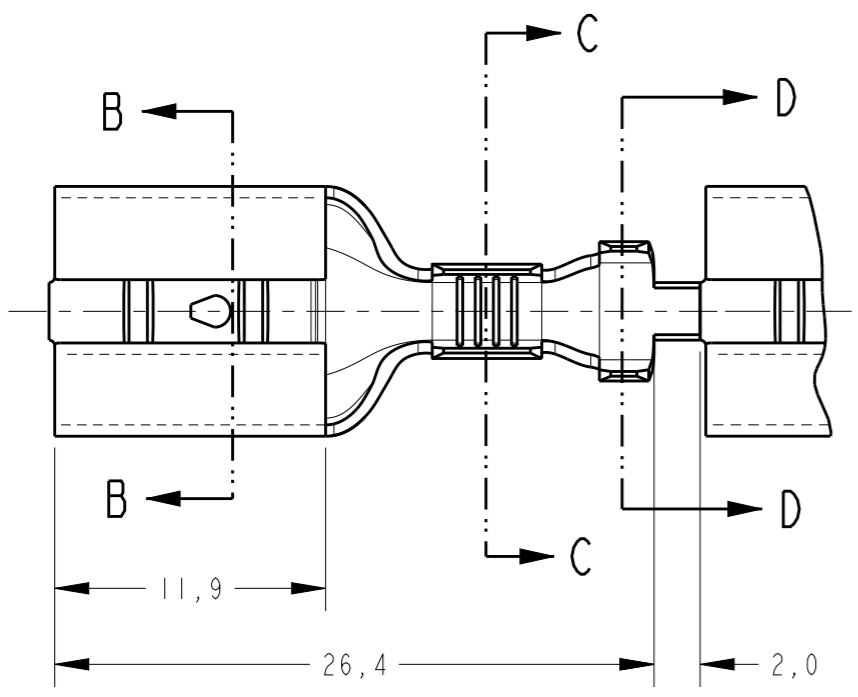


THIS DRAWING IS UNPUBLISHED. RELEASED FOR PUBLICATION 20
 © COPYRIGHT 20 BY - ALL RIGHTS RESERVED.

creo
 Creo Parametric 2.0
**DO NOT REVISE
 EXCEPT BY CAD**

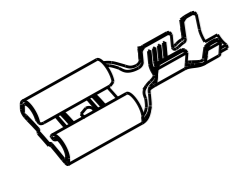
P	LTR	DESCRIPTION	DATE	DWN	APVD
	C	REDRAW BY CAD ECO-14-007082	13MAY2014	NCL	LWP
	CI	REV. BY ECO 16-003725	23JUN2016	HC	WLS



1 - OBSOLETE PARTS: OBSOLETE CIS STREAMLINING PER PER D.RENAUD/D.SINISI

OBSOLETE	PRATA SOBRE NIQUEL SILVER PLATED OVER NICKEL	LATÃO / BRASS	626204-5
OBSOLETE	ESTANHADO/TIN PLATED	BRONZE FOSE PHOSF.BRONZE	626204-4
OBSOLETE		BRONZE FOSE PHOSF.BRONZE	626204-3
	ESTANHADO/TIN PLATED	LATÃO / BRASS	626204-2
OBSOLETE		LATÃO / BRASS	626204-1

FINISH MATERIAL PART NUMBER



PERSPECTIVE VIEW
SCALE 1:1

WIRE RANGE
2,5-4,0mm²
 INSUL. RANGE
Ø 3,3-4,5mm

THIS DRAWING IS A CONTROLLED DOCUMENT.

DIMENSIONS:	TOLERANCES UNLESS OTHERWISE SPECIFIED:
mm	
0 PLC	±°
1 PLC	±0,3
2 PLC	±-
3 PLC	±--
4 PLC	±-
ANGLES	±°

MATERIAL SEE TABLE FINISH SEE TABLE

DWN	27FEB2014
NCL	APRESA
CHK	27FEB2014
JRG	GOLDSCHMIDT
APVD	27FEB2014
DAO	LIVEIRA
PRODUCT SPEC	108-37014
APPLICATION SPEC	114-18022
WEIGHT	-

STE TE Connectivity

NAME: -
 .375 SERIES FASTON RECEPTACLE

SIZE	CAGE CODE	DRAWING NO	RESTRICTED TO
A3	AP	626204	-

Customer Drawing SCALE 3:1 SHEET 1 OF 1 REV CI

单击下面可查看定价，库存，交付和生命周期等信息

[>>TE Connectivity\(泰科\)](#)