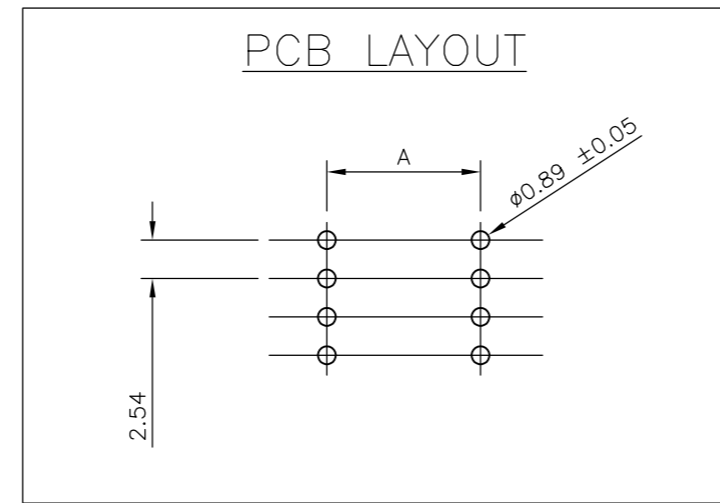
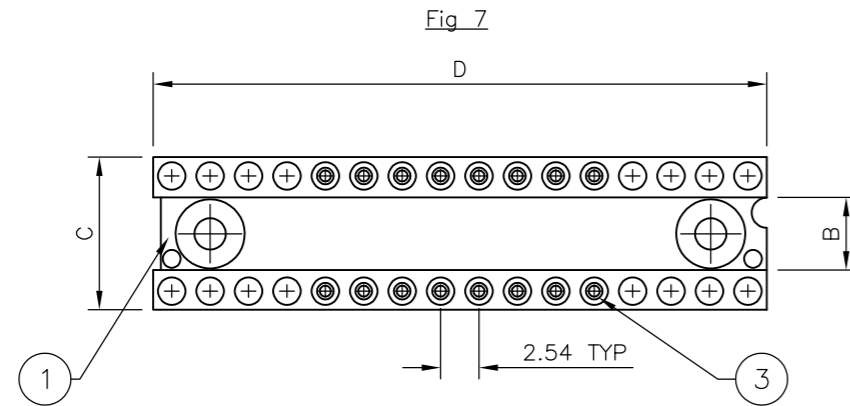
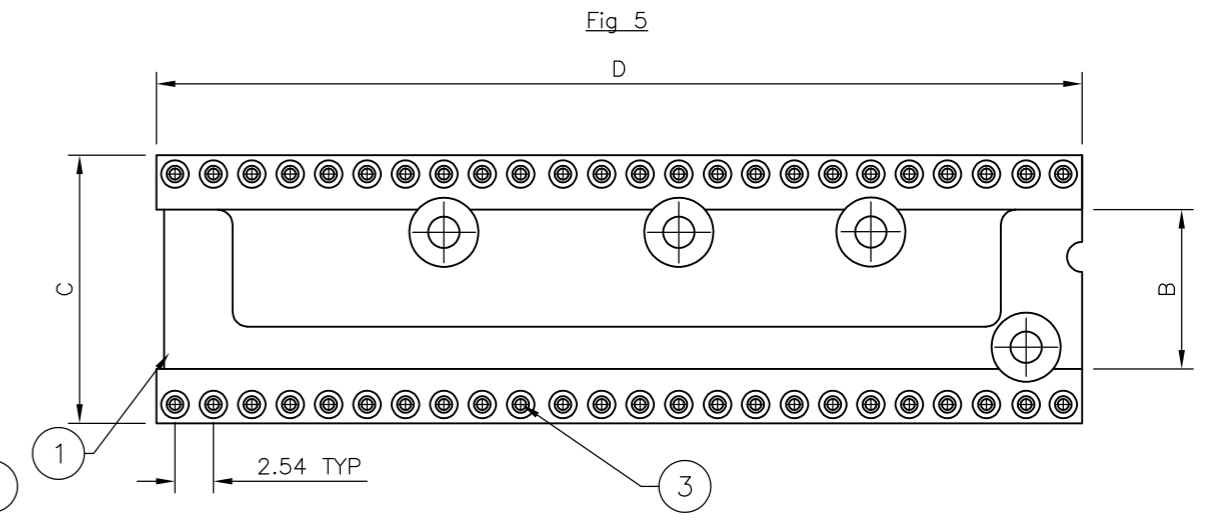
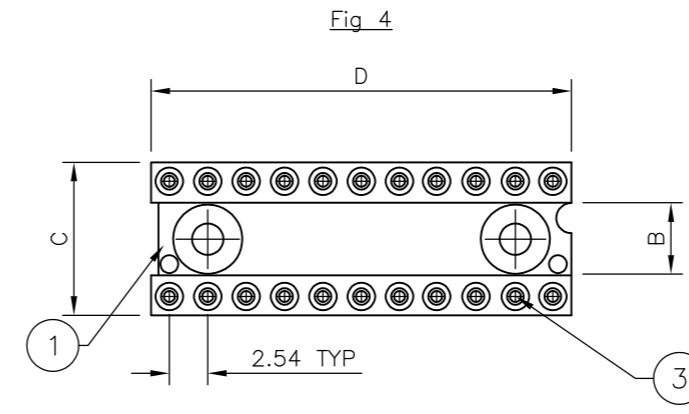
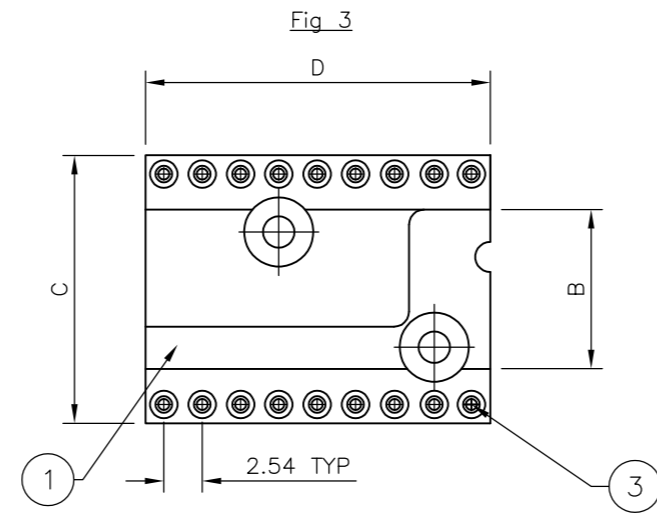
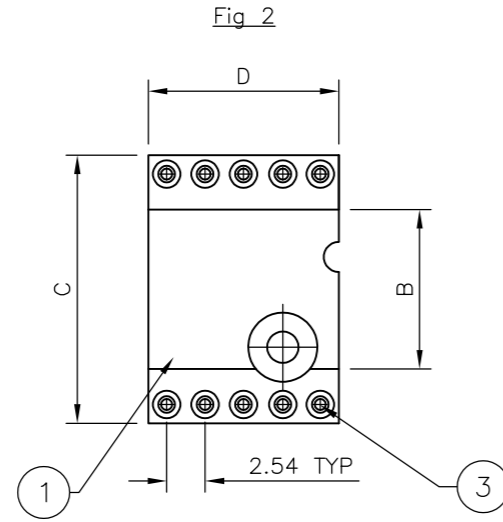
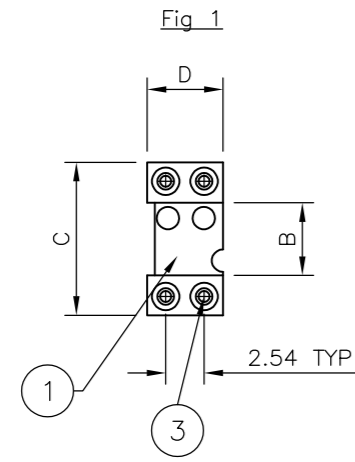
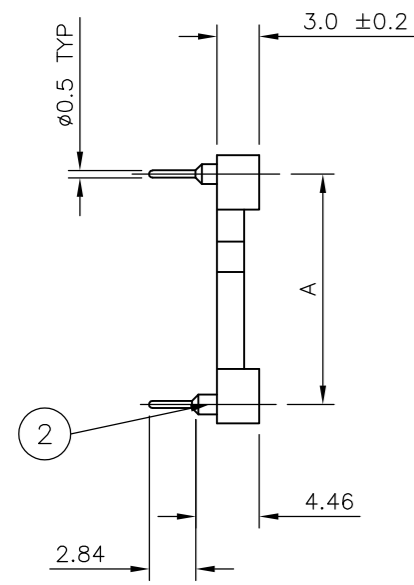


THIS DRAWING IS UNPUBLISHED. RELEASED FOR PUBLICATION 28JUN ,2005.
 © COPYRIGHT 2005 BY TYCO ELECTRONICS CORPORATION. ALL RIGHTS RESERVED.

LOC	DIST	REVISIONS			
P	LTR	DESCRIPTION	DATE	DWN	APVD
C2		ECR-10-000004	10MAR10	RK	SRE
C3		ECR-10-022205	01FEB11	KK	HMR



NOTES:

- MATERIAL:
 - 1, INSULATOR - THERMOPLASTIC POLYESTER UL-94-V-0.
 - 2, SLEEVE - BRASS.
 - 3, CONTACT - STAMPED BERYLLIUM COPPER.
- PIN SPECIFICATION:
 - CONTACT ACCEPTS: ROUND PIN ø0.40 TO 0.56. RECTANGULAR PIN 0.25 x 0.45 (NOMINAL).
- MECHANICAL DATA:
 - INSERTION FORCE- 3.2N MAX/CONTACT.
 - EXTRACTION FORCE- 0.5N MIN/CONTACT.
 - MECHANICAL LIFE- 100 CYCLES MIN (0.75µm Au) 50 CYCLES MAX (FLASH Au) 25 CYCLES MAX (5µm Sn)
 - CONTACT RETENTION- 3.3N MIN.
 - SOLDER PROCESS CAPABILITY-260°C
- ELECTRICAL:
 - CONTACT RESISTANCE- 10m Ohm MAX.
 - CONTACT RATING- 1Amp
 - INSULATION RESISTANCE- AT 500V AC BETWEEN ANY 2 ADJACENT CONTACTS MIN 10000m Ohm.
 - DIELECTRIC VOLTAGE- MIN 1000V RMS.
- ENVIRONMENTAL:
 - OPERATION TEMPERATURE- -55 +125°C
- TUBE PACKAGED WITH NUMBER OF PARTS PER TUBE AS INDICATED IN TABLE. EACH TUBE TO BE INDIVIDUALLY LABELLED. THE LABEL WILL HAVE TE PART NUMBER, XX QTY PER TUBE, DATE CODE AND RoHS DIRECTIVE DETAILS (RoHS 2002/95/EC). OUTER BOX / SHIPPER CARTON TO BE LABELLED WITH TE PART NUMBER, TOTAL XXX QTY PER OUTER BOX / SHIPPER CARTON, DATE CODE AND RoHS DIRECTIVE DETAILS (RoHS 2002/95/EC).
- FOR TECHNICAL DATA REFER TO YOUR LOCAL TYCO ELECTRONICS SALES OFFICE.
- OBSELETE PARTS: OBSELETE CIS STREAMLINING PER D.RENAUD/D.SINISI

Obsolescence	Part No	Plating	Plating	Plating	Dimensions	Dimensions	Dimensions	Dimensions	Number Of Positions	Fig	Part No
					D	C	B	A			
OBSELETE	8	0.75µm Au	0.25µm Au OVER 2-3µm Ni	61.2	17.7	10.6	15.24	48	5	2-1814643-8	
OBSELETE	8	FLASH Au	5µm Sn OVER 2-3µm Ni	61.2	17.7	10.6	15.24	48	5	2-1814643-7	
OBSELETE	8	5µm MIN Sn	5µm Sn OVER 2-3µm Ni	61.2	17.7	10.6	15.24	48	5	2-1814643-6	
OBSELETE	8	0.75µm Au	5µm Sn OVER 2-3µm Ni	61.2	17.7	10.6	15.24	48	5	2-1814643-5	
OBSELETE	17	0.75µm Au	0.25µm Au OVER 2-3µm Ni	30.4	10.1	4.8	7.62	24	4	2-1814643-4	
OBSELETE	17	FLASH Au	5µm Sn OVER 2-3µm Ni	30.4	10.1	4.8	7.62	24	4	2-1814643-3	
OBSELETE	17	5µm MIN Sn	5µm Sn OVER 2-3µm Ni	30.4	10.1	4.8	7.62	24	4	2-1814643-2	
OBSELETE	17	0.75µm Au	5µm Sn OVER 2-3µm Ni	30.4	10.1	4.8	7.62	24	4	2-1814643-1	
OBSELETE	18	0.75µm Au	0.25µm Au OVER 2-3µm Ni	27.8	10.1	4.8	7.62	22	4	2-1814643-0	
OBSELETE	18	FLASH Au	5µm Sn OVER 2-3µm Ni	27.8	10.1	4.8	7.62	22	4	1-1814643-9	
OBSELETE	18	5µm MIN Sn	5µm Sn OVER 2-3µm Ni	27.8	10.1	4.8	7.62	22	4	1-1814643-8	
OBSELETE	18	0.75µm Au	5µm Sn OVER 2-3µm Ni	27.8	10.1	4.8	7.62	22	4	1-1814643-7	
OBSELETE	22	0.75µm Au	0.25µm Au OVER 2-3µm Ni	22.8	17.7	10.6	15.24	18	3	1-1814643-6	
OBSELETE	22	FLASH Au	5µm Sn OVER 2-3µm Ni	22.8	17.7	10.6	15.24	18	3	1-1814643-5	
OBSELETE	22	5µm MIN Sn	5µm Sn OVER 2-3µm Ni	22.8	17.7	10.6	15.24	18	3	1-1814643-4	
OBSELETE	22	0.75µm Au	5µm Sn OVER 2-3µm Ni	22.8	17.7	10.6	15.24	18	3	1-1814643-3	
OBSELETE	41	0.75µm Au	0.25µm Au OVER 2-3µm Ni	12.6	17.7	10.6	15.24	10	2	1-1814643-2	
OBSELETE	41	FLASH Au	5µm Sn OVER 2-3µm Ni	12.6	17.7	10.6	15.24	10	2	1-1814643-1	
OBSELETE	41	5µm MIN Sn	5µm Sn OVER 2-3µm Ni	12.6	17.7	10.6	15.24	10	2	1-1814643-0	
OBSELETE	41	0.75µm Au	5µm Sn OVER 2-3µm Ni	12.6	17.7	10.6	15.24	10	2	1814643-9	
OBSELETE	41	0.75µm Au	0.25µm Au OVER 2-3µm Ni	12.6	10.1	4.8	7.62	10	1	1814643-8	
OBSELETE	41	FLASH Au	5µm Sn OVER 2-3µm Ni	12.6	10.1	4.8	7.62	10	1	1814643-7	
OBSELETE	41	5µm MIN Sn	5µm Sn OVER 2-3µm Ni	12.6	10.1	4.8	7.62	10	1	1814643-6	
OBSELETE	41	0.75µm Au	5µm Sn OVER 2-3µm Ni	12.6	10.1	4.8	7.62	10	1	1814643-5	
OBSELETE	105	0.75µm Au	0.25µm Au OVER 2-3µm Ni	5.0	10.1	4.8	7.62	4	1	1814643-4	
OBSELETE	105	FLASH Au	5µm Sn OVER 2-3µm Ni	5.0	10.1	4.8	7.62	4	1	1814643-3	
OBSELETE	105	5µm MIN Sn	5µm Sn OVER 2-3µm Ni	5.0	10.1	4.8	7.62	4	1	1814643-2	
OBSELETE	105	0.75µm Au	5µm Sn OVER 2-3µm Ni	5.0	10.1	4.8	7.62	4	1	1814643-1	

THIS DRAWING IS A CONTROLLED DOCUMENT.

DWN: A. Morey 28JUN05
 CHK: S. Parlow 01NOV05
 APVD: F. Wheeler-King 01NOV05
 PRODUCT SPEC: -
 APPLICATION SPEC: -
 WEIGHT: -

Tyco Electronics Tyco Electronics Corporation Bideford, UK, EX39 4HE

CLOSED FRAME DIP IC SOCKET

SIZE: A2 CAGE CODE: 00779 DRAWING NO: C=1814643 RESTRICTED TO: -
 SCALE: 2:1 SHEET: 1 OF 2 REV: C3

THIS DRAWING IS UNPUBLISHED. RELEASED FOR PUBLICATION 28JUN ,2005.
 © COPYRIGHT 2005 BY TYCO ELECTRONICS CORPORATION. ALL RIGHTS RESERVED.

LOC	DIST	REVISIONS					
E	B	P	LTR	DESCRIPTION	DATE	DWN	APVD
		-	-	SEE SHEET 1	-	-	-

Part No	Fig	Number Of Positions	DIMENSIONS				Sleeve Plating	Contact Plating	No. Of Parts Per Tube	
			A	B	C	D				
2-1814643-9	6	50	22.86	-	25.4	64.7	5µm Sn OVER 2-3µm Ni	0.75µm Au	8	OBSOLETE ⚠
3-1814643-0	6	50	22.86	-	25.4	64.7	5µm Sn OVER 2-3µm Ni	5µm MIN Sn	8	
3-1814643-1	6	50	22.86	-	25.4	64.7	5µm Sn OVER 2-3µm Ni	FLASH Au	8	
3-1814643-2	6	50	22.86	-	25.4	64.7	0.25µm Au OVER 2-3µm Ni	0.75µm Au	8	
3-1814643-3	6	52	22.86	-	25.4	67.2	5µm Sn OVER 2-3µm Ni	0.75µm Au	7	
3-1814643-4	6	52	22.86	-	25.4	67.2	5µm Sn OVER 2-3µm Ni	5µm MIN Sn	7	
3-1814643-5	6	52	22.86	-	25.4	67.2	5µm Sn OVER 2-3µm Ni	FLASH Au	7	
3-1814643-6	6	52	22.86	-	25.4	67.2	0.25µm Au OVER 2-3µm Ni	0.75µm Au	7	
3-1814643-7	6	64	22.86	-	25.4	81.2	5µm Sn OVER 2-3µm Ni	0.75µm Au	6	
3-1814643-8	6	64	22.86	-	25.4	81.2	5µm Sn OVER 2-3µm Ni	5µm MIN Sn	6	
3-1814643-9	6	64	22.86	-	25.4	81.2	5µm Sn OVER 2-3µm Ni	FLASH Au	6	
4-1814643-0	6	64	22.86	-	25.4	81.2	0.25µm Au OVER 2-3µm Ni	0.75µm Au	6	
4-1814643-1	7	32	10.16	-	12.6	40.6	5µm Sn OVER 2-3µm Ni	0.75µm Au	12	
4-1814643-2	7	32	10.16	-	12.6	40.6	5µm Sn OVER 2-3µm Ni	5µm MIN Sn	12	
4-1814643-3	7	32	10.16	-	12.6	40.6	5µm Sn OVER 2-3µm Ni	FLASH Au	12	OBSOLETE
4-1814643-4	7	32	10.16	-	12.6	40.6	0.25µm Au OVER 2-3µm Ni	0.75µm Au	12	
4-1814643-5	7	16/32	10.16	-	12.6	40.6	5µm Sn OVER 2-3µm Ni	0.75µm Au	12	OBSOLETE
4-1814643-6	7	16/32	10.16	-	12.6	40.6	5µm Sn OVER 2-3µm Ni	5µm MIN Sn	12	
4-1814643-7	7	16/32	10.16	-	12.6	40.6	5µm Sn OVER 2-3µm Ni	FLASH Au	12	
4-1814643-8	7	16/32	10.16	-	12.6	40.6	0.25µm Au OVER 2-3µm Ni	0.75µm Au	12	

THIS DRAWING IS A CONTROLLED DOCUMENT.		DWN A. Morey 28JUN05	Tyco Electronics Corporation Bideford, UK, EX39 4HE	
DIMENSIONS: mm		CHK S. Parlow 01NOV05	NAME CLOSED FRAME DIP IC SOCKET	
TOLERANCES UNLESS OTHERWISE SPECIFIED:		APVD F. Wheeler-King 01NOV05	SIZE A2	
0 PLC ± - 1 PLC ± - 2 PLC ± - 3 PLC ± - 4 PLC ± - ANGLES ± -		PRODUCT SPEC APPLICATION SPEC	CAGE CODE 00779	DRAWING NO C=1814643
MATERIAL -	FINISH -	WEIGHT -	RESTRICTED TO -	SCALE 2:1
CUSTOMER DRAWING			SHEET 2	OF 2
			REV C3	

1814643

单击下面可查看定价，库存，交付和生命周期等信息

[>>TE Connectivity\(泰科\)](#)