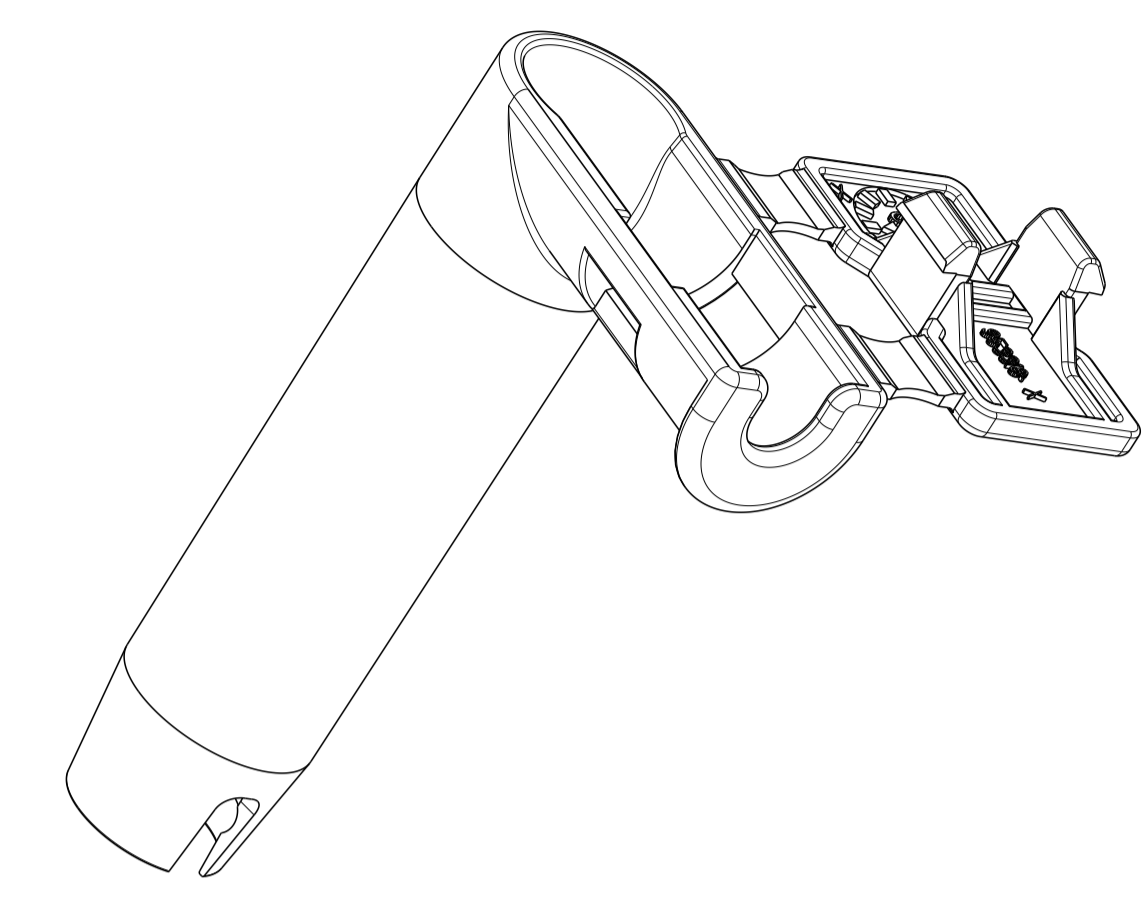
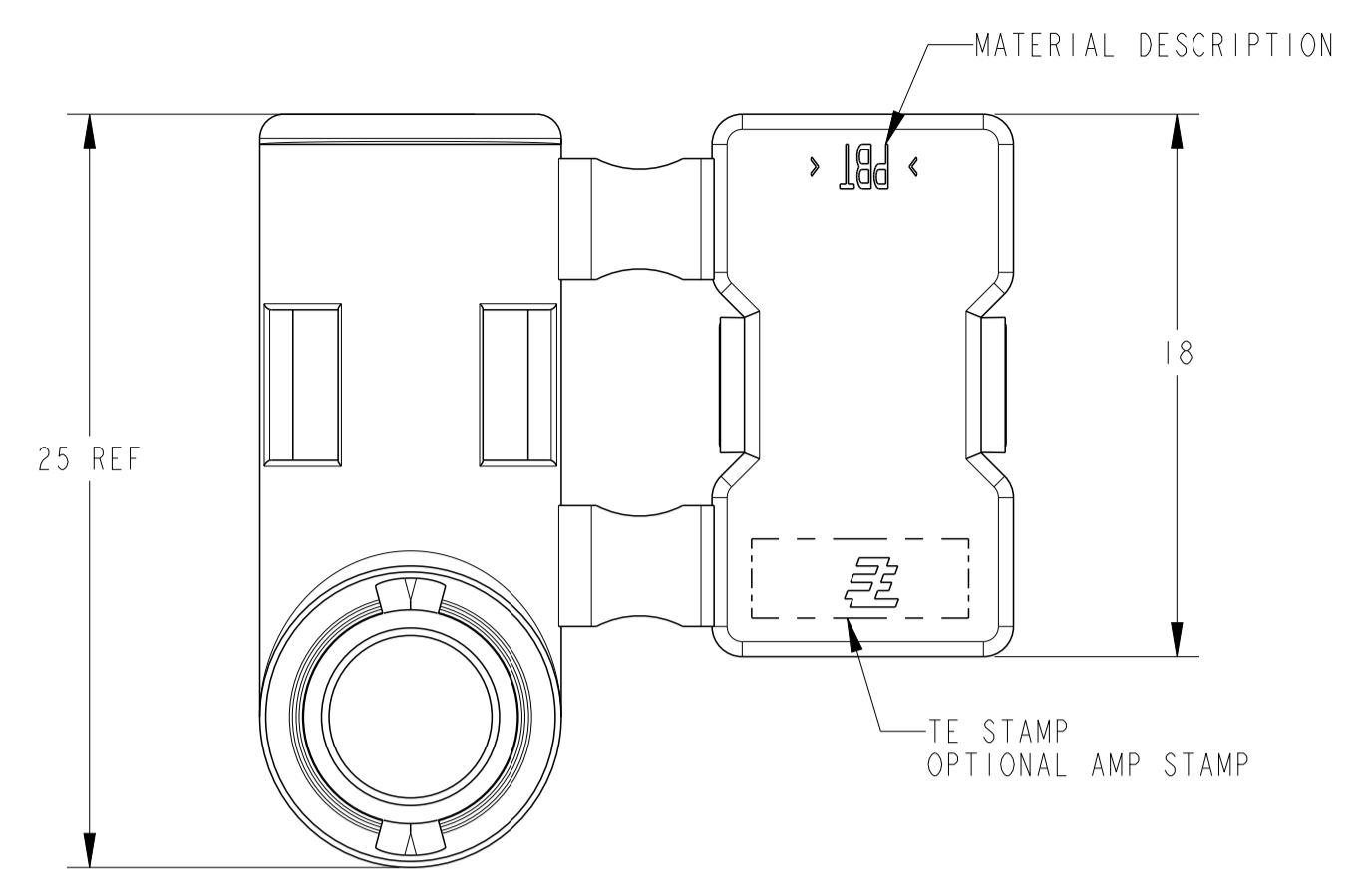
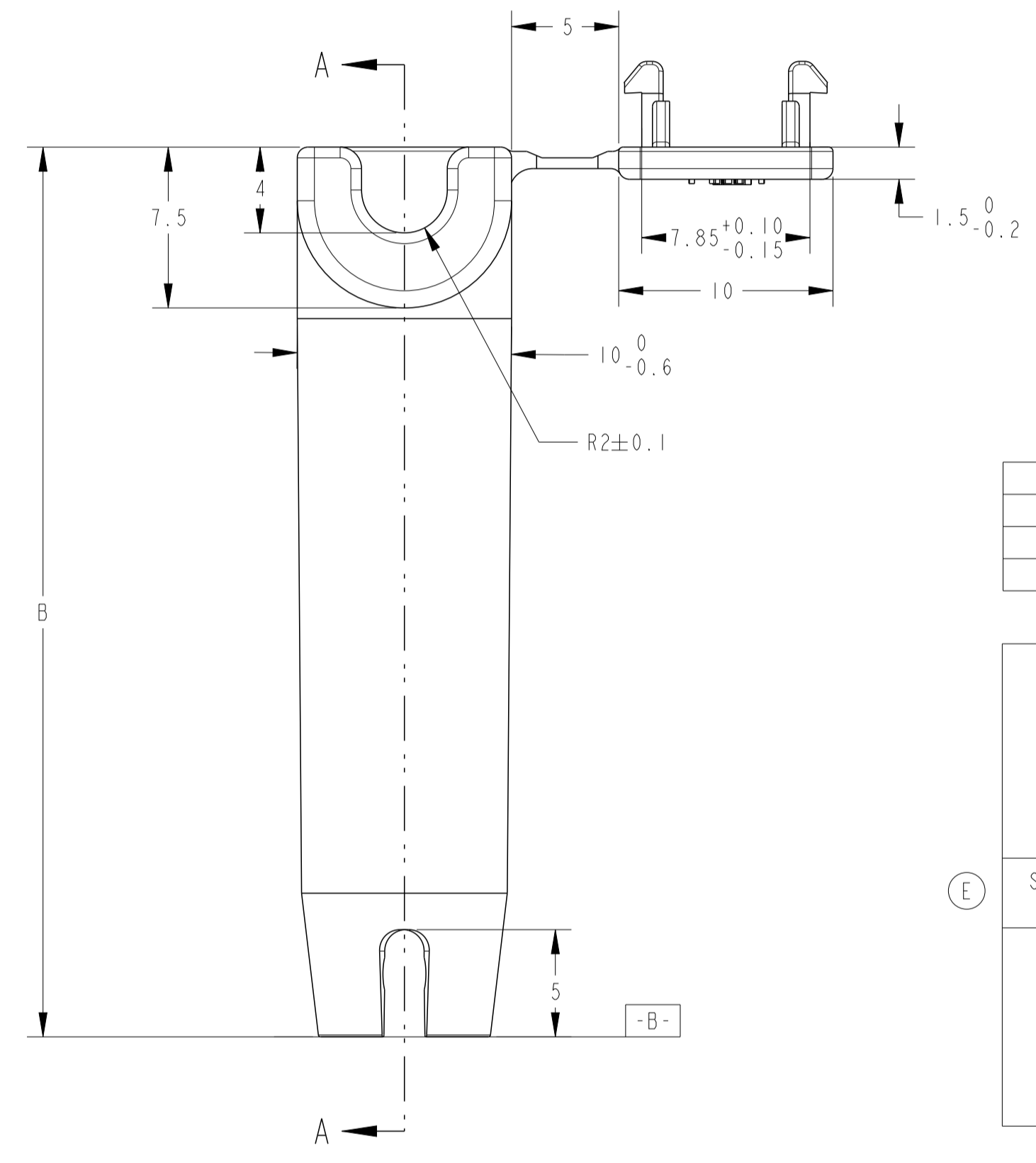
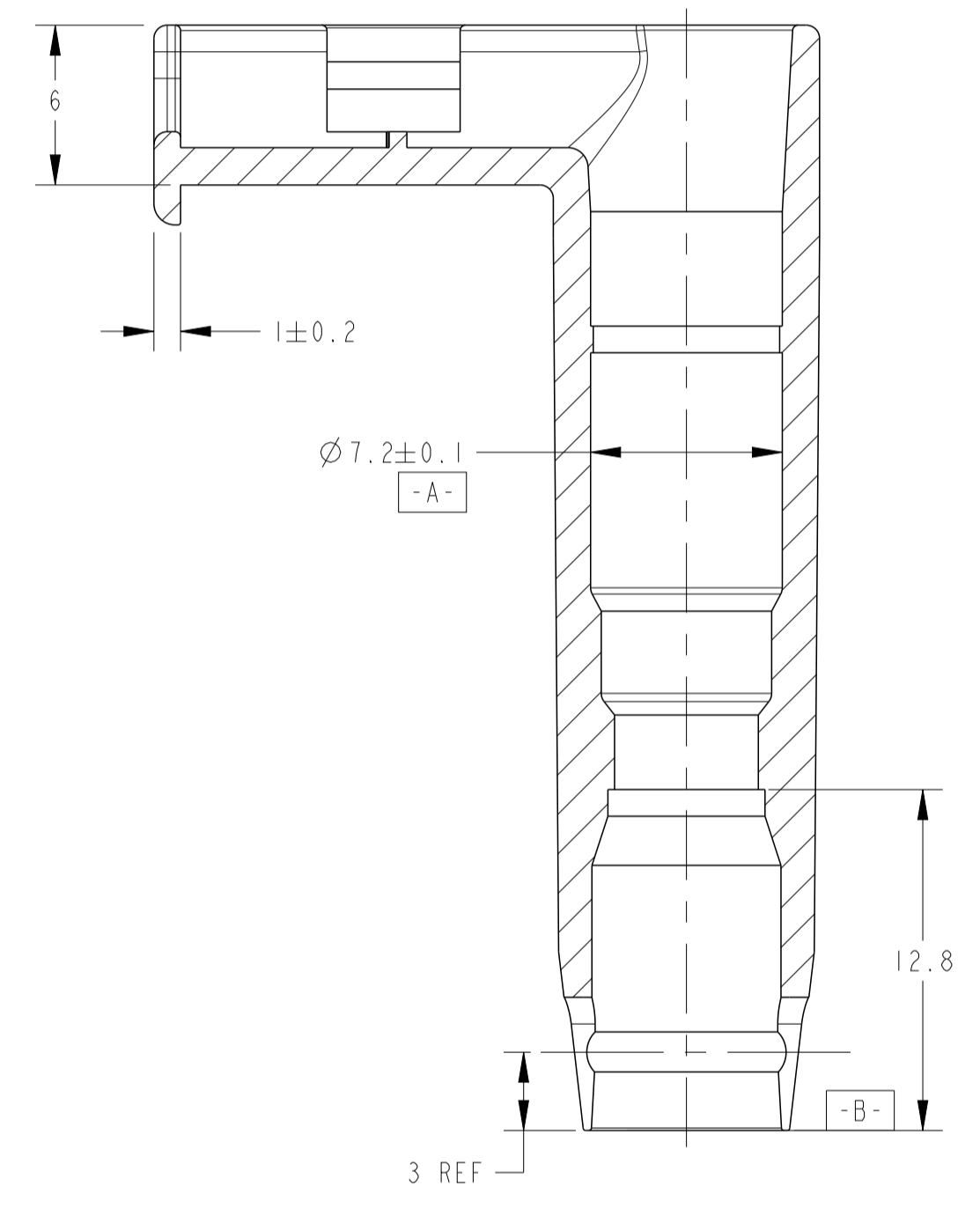


REVISIONS						
P	LTN	REV	DESCRIPTION	DATE	DWN	APP
B			HINGE MODIFICATION	24JUN2005	AR	JPP
C			DIMENSION MODIFICATION C4, NOTE TYCO STAMP	12SEP2005	RC	OD
D			DIM B TOLERANCE MODIFICATION	08SEP2017	ASB	SA
E			ADDED PN 1-953318-2, CHANGED TOOL PN	19SEP2018	GP	XR



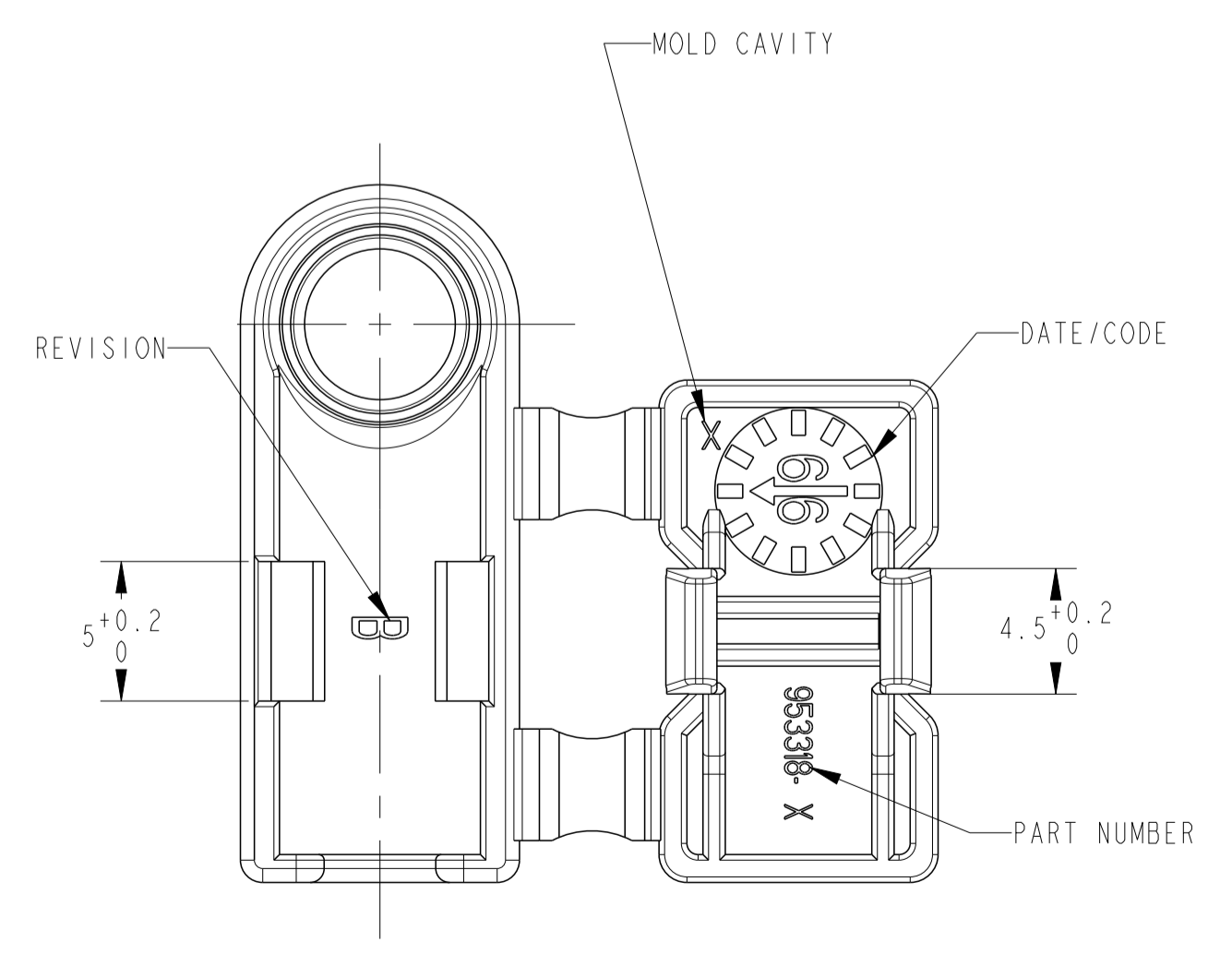
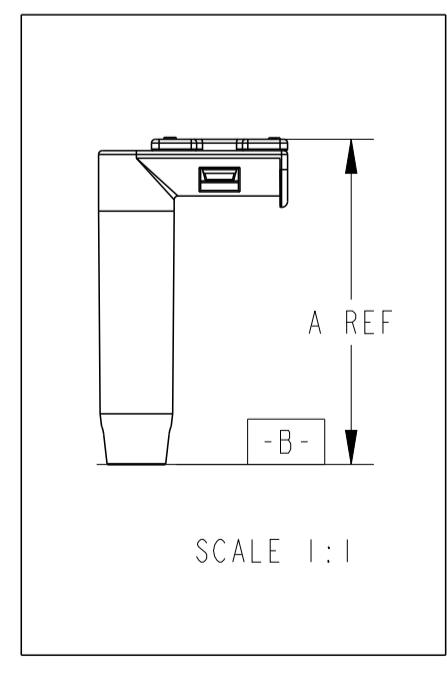
SACLE 3:1

COUPE A-A



EXTRACTION TOOL	
DESCRIPTION	PART NUMBER
EXTRACTION TOOL	2-1579007-0
SPARE BLADE	4-1579007-0

	ASSOCIATED COMPONENTS							
	PART NUMBER		DESCRIPTION					
	963244-1							
	963245-1							
	962956-1		SOCKET CONTACT Ø 4mm					
(E) Same as 953318-2 with special packaging	1-953318-2	D	BLACK	PBT	HOUSING	0.003 Kg	61	59.5±0.15
	953318-2	D	BLACK	PBT	HOUSING	0.003 Kg	61	59.5±0.15
	953318-1	D	BLACK	PBT	HOUSING	0.0025 Kg	43	41.5 +0.3/-0.2 (D)
	PART NUMBER	PART REVISION CODE	COLOUR	MATERIAL	DESCRIPTION	WEIGHT	DIM A	DIM B



THIS DRAWING IS A CONTROLLED DOCUMENT. CE PLAN EST UN DOCUMENT CONTROLÉ PAR AMF INCORPORATED. IL EST SOUS LE CONTROLE DE LA REVUE, CONTRACTE DE SERVICE. DIMENSIONS: mm. TOLENCES, UNLESS OTHERWISE SPECIFIED (SAUF SI AUTREMENT SPECIFIE): mm. ANGLES FINISH: SEE TABLE. MATERIAL MATIERE: PBT. FINISH: SEE TABLE.

DWN/BESSINE: S. RONOT. CHK/REVIFIE: J.P. PICAUD. APVD/APPROUVE: J. DE VILL. PRODUCT SPEC: 108-15194. APPLICATION SPEC: 411-15605. WEIGHT: SEE TABLE. CUSTOMER DRAWING.

05FEB99. 05FEB99. 05FEB99. No. PLAN: 00779. No. PLAN: 953318. SHEET: 1 OF 1. REV: E.

TE TE Connectivity

NAME: 1 WAY GLOW PLUG CONNECTOR

RESTRICTED TO RESERVE A

单击下面可查看定价，库存，交付和生命周期等信息

[>>TE Connectivity\(泰科\)](#)