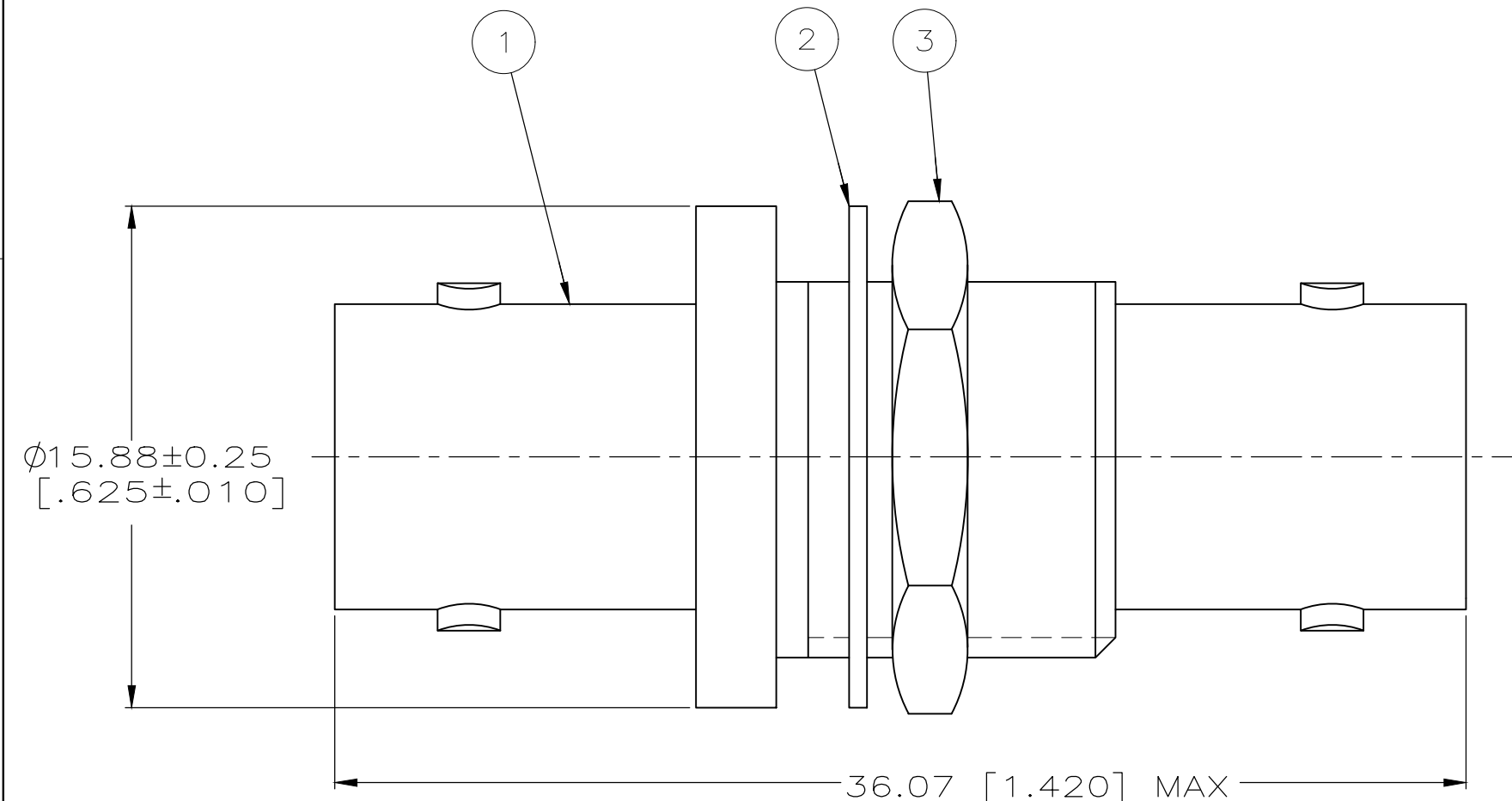


DRAWING MADE IN THIRD ANGLE PROJECTION

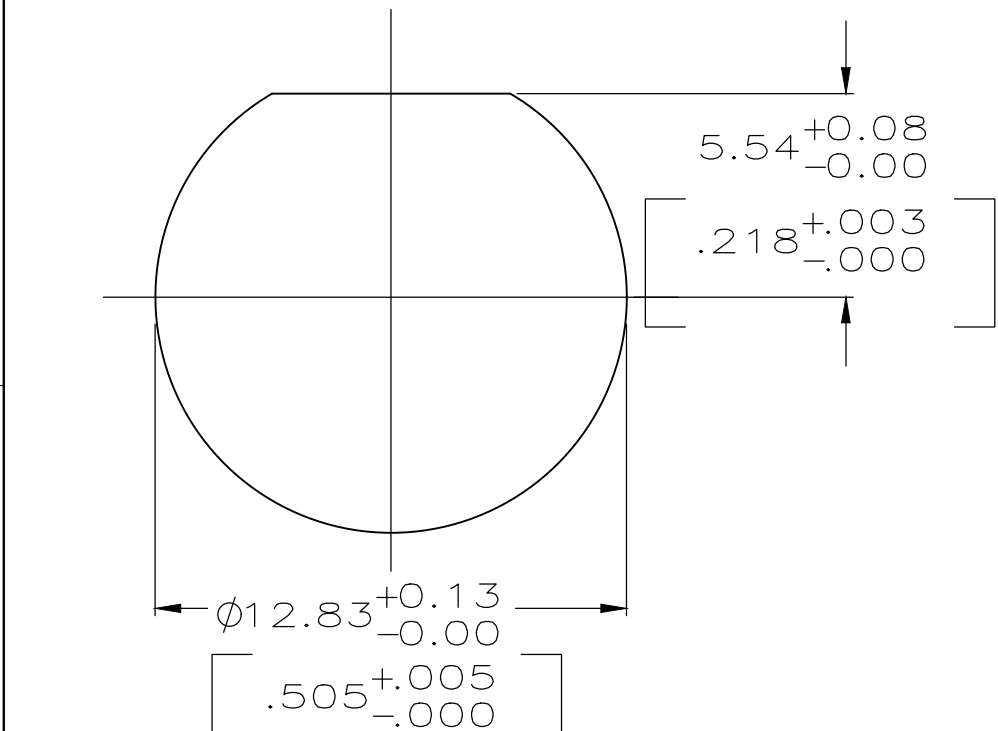
THIS DRAWING IS UNPUBLISHED. RELEASED FOR PUBLICATION, 19...  
 © COPYRIGHT 19 BY AMP INCORPORATED. ALL INTERNATIONAL RIGHTS RESERVED.

LOC	DIST	P	F	REVISIONS				
				ZONE	LTR	DESCRIPTION	DATE	APPD
AJ	16	✓	✓	0		RELEASED PER 90-3140-003	6-10-91	MS
		✓	✓	A		REV PER AJ-5833	11/05/91	BM
		✓	✓	B		ADDED -2 PER 92-3586-003	5-27-92	MS
		✓	✓	C		REV PER AJ-6374	6-4-92	MS
				D		OBSOLETE -2 PER 0503-0285-96	5-19-97	JG
				D1		OBSOLETE -1 ECR-18-008435	11-JUN-18	RZ



1. PANEL THICKNESS 6.34 [.250] MAX.

SUPERSEDE TO 5414105-1



RECOMMENDED PANEL CUTOUT

OBSOLETE	SILVER	1-329631-2	1-329632-2	414136-2	414105-2
OBSOLETE	GOLD	1-329631-2	1-329632-2	414136-1	414105-1
CONTACT FINISH	(3) JAM NUT QTY=1	(2) LOCKWASHER QTY=1	(1) JACK ASSY QTY=1	PART NO	

DO NOT SCALE PRINT. UNLESS SPECIFIED. DIMENSIONS IN mm [INCHES]			PART NO		
TOLERANCES ON:	DR 6-10-91 M. SNEED	AMP Incorporated Harrisburg, PA 17105-3608			
2 PLC DEC ± -	CHK 6-10-91 R. HENRY				
3 PLC DEC ± -	APPD 6-10-91 R. HENRY	NAME JACK, ADAPTER, BHD, 50 OHM, ISOLATED, BNC			
ANGLES ± -	APPD 6-10-91 M. SNEED	SIZE B	CAGE CODE 00779	DRAWING NO 414105	
MATERIAL -	PRODUCT SPEC -	SCALE 5:1		SHEET 1 OF 1	
FINISH -	APPLICATION SPEC -				
WEIGHT -					

单击下面可查看定价，库存，交付和生命周期等信息

[>>TE Connectivity\(泰科\)](#)