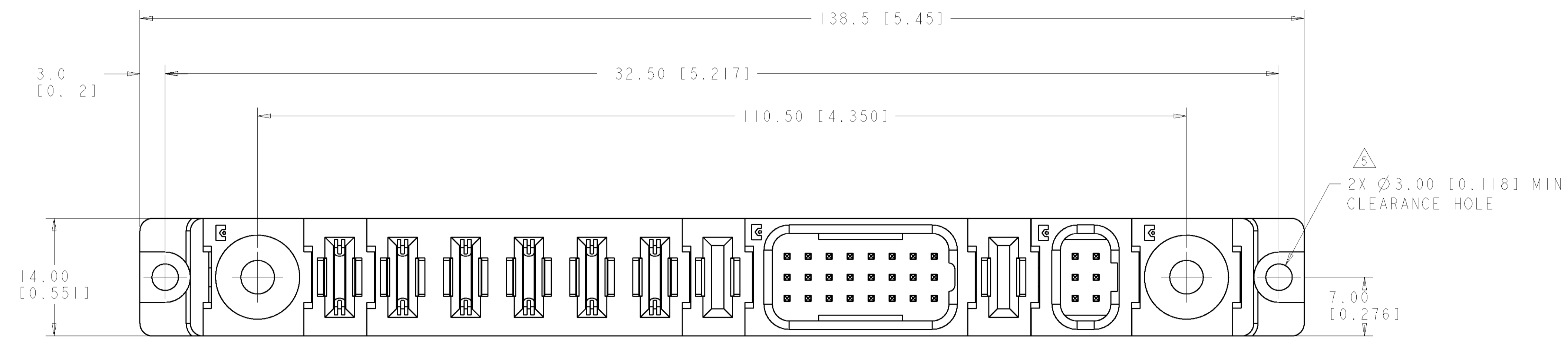


LOC	DIST	REVISIONS					
GP	00	P	LTR	DESCRIPTION	DATE	DRN	APVD
		A		NEW RELEASE	11JUN2007	RG	PD



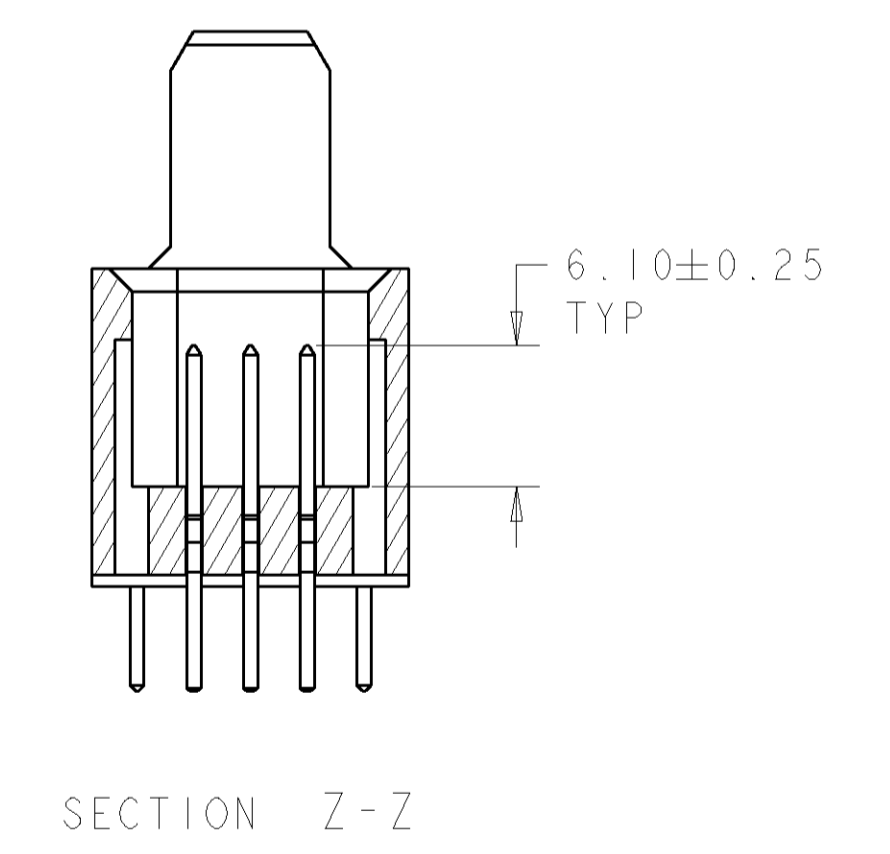
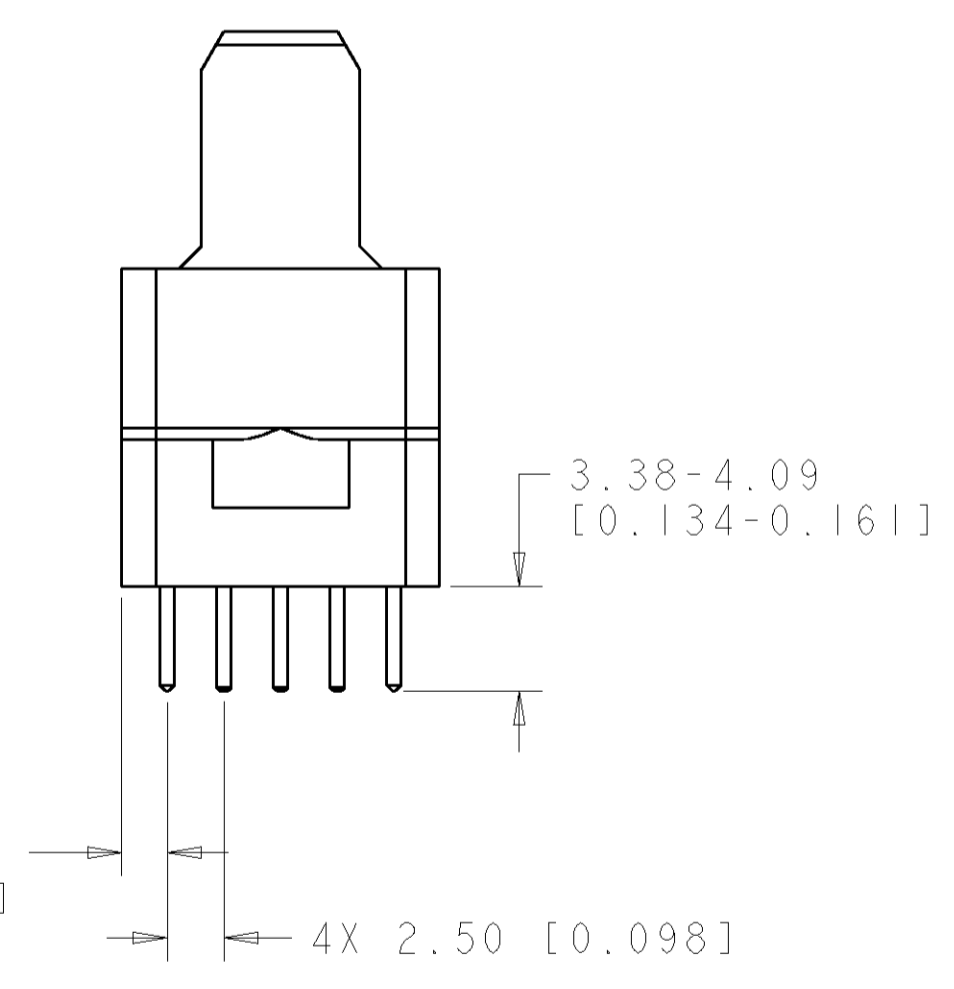
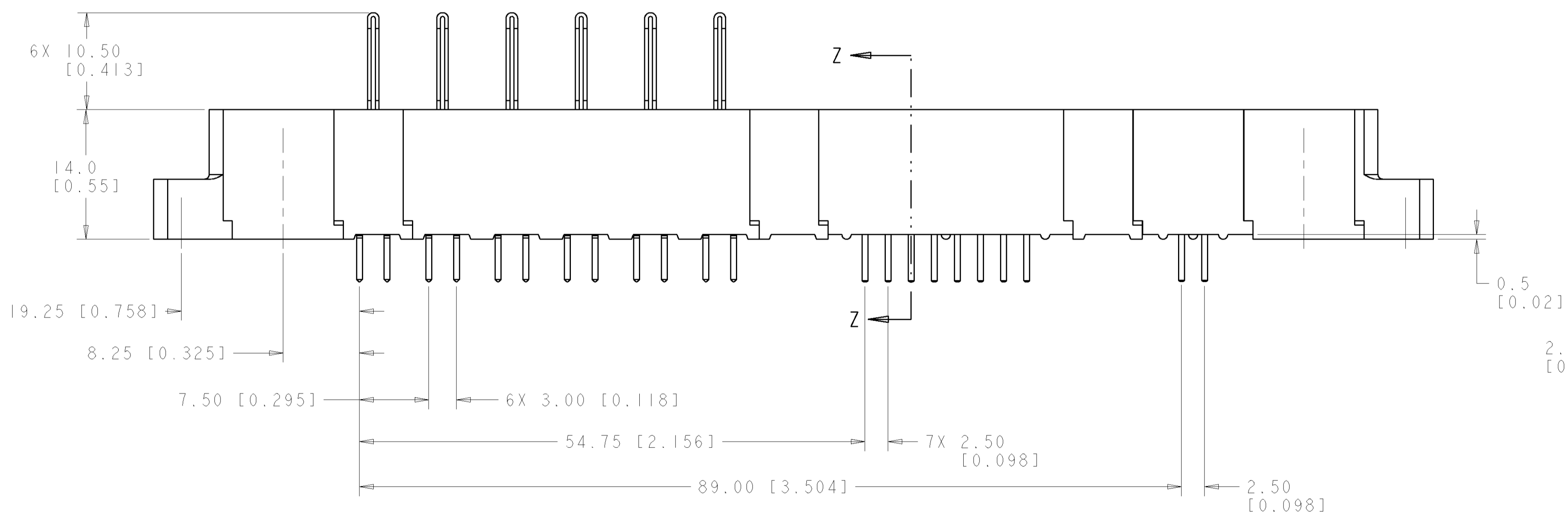
- PART NUMBER CHANGES AND OR DESIGN CHANGES AFFECTING ITEM INTERCHANGEABILITY REQUIRE PRIOR TYCO ELECTRONICS APPROVAL AND AUTHORIZATION BY REVISION TO THIS DRAWING.
- MATERIAL:  
 INSULATORS - THERMOPLASTIC, GLASS REINFORCED, COLOR: BLACK, UL94V-0 FLAMMABILITY RATED.  
 POWER CONTACTS - PHOSPHOR BRONZE ALLOY, COPPER ALLOY  
 SOLDER SIGNAL PINS-BRASS ALLOY  
 CROWN BAND-BERYLLIUM COPPER ALLOY

- FINISH:  
 CONTACTS - GOLD PLATE 0.76µM MIN. THK. OVER NICKEL 1.27µM MIN. THK.  
 SOLDER TAILS, TIN 3.05µM MIN. THK. OVER NICKEL 1.27µM MIN THK.

ITEMS PROVIDED TO THIS SPECIFICATION TO BE PERMANENTLY IDENTIFIED PER THE FOLLOWING IDENTIFIER LABEL

TYCO ELECTRONICS P/N DATE CODE (e.g. 0106)  
 XXXXXXXX-X XXXX

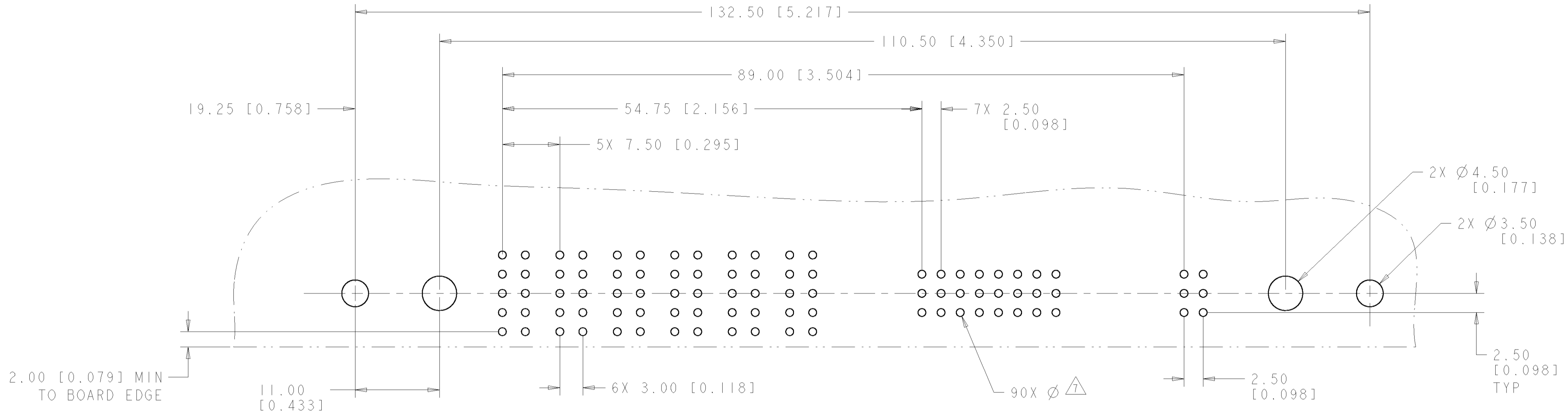
MOUNTING FLANGE ACCEPTS M3 OR #4-40 SCREWS. (USER SUPPLIED)



ELCON FLATPAQ

AS SHOWN		6651981-1	
DESCRIPTION		PART NUMBER	
DIMENSIONS: mm 0 PLC ± 1 PLC ±.3 [0.012] 2 PLC ±.15 [0.006] 3 PLC ± 4 PLC ± ANGLES ±.5 FINISH		TOLERANCES UNLESS OTHERWISE SPECIFIED: DWN R. GRZYBOWSKI 11JUN2007 ENR P. DAMATO 11JUN2007 APVD S. FLICKINGER 11JUN2007 PRODUCT SPEC APPLICATION SPEC WEIGHT CUSTOMER DRAWING	
Tyco Electronics Harrisburg, PA 17105-3608		NAME: PIN CONNECTOR ASSEMBLY STRAIGHT, SOLDER TAILS FLATPAQ SIZE: A   00779   C=6651981 SCALE: 3:1 SHEET 1 OF 3 REV A	

LOC	DIST	P	LTR	DESCRIPTION	DATE	DNW	APVD
GP	00	-	-	SEE SHEET 1	-	-	-



PRINTED CIRCUIT LAYOUT  
 COMPONENT SIDE

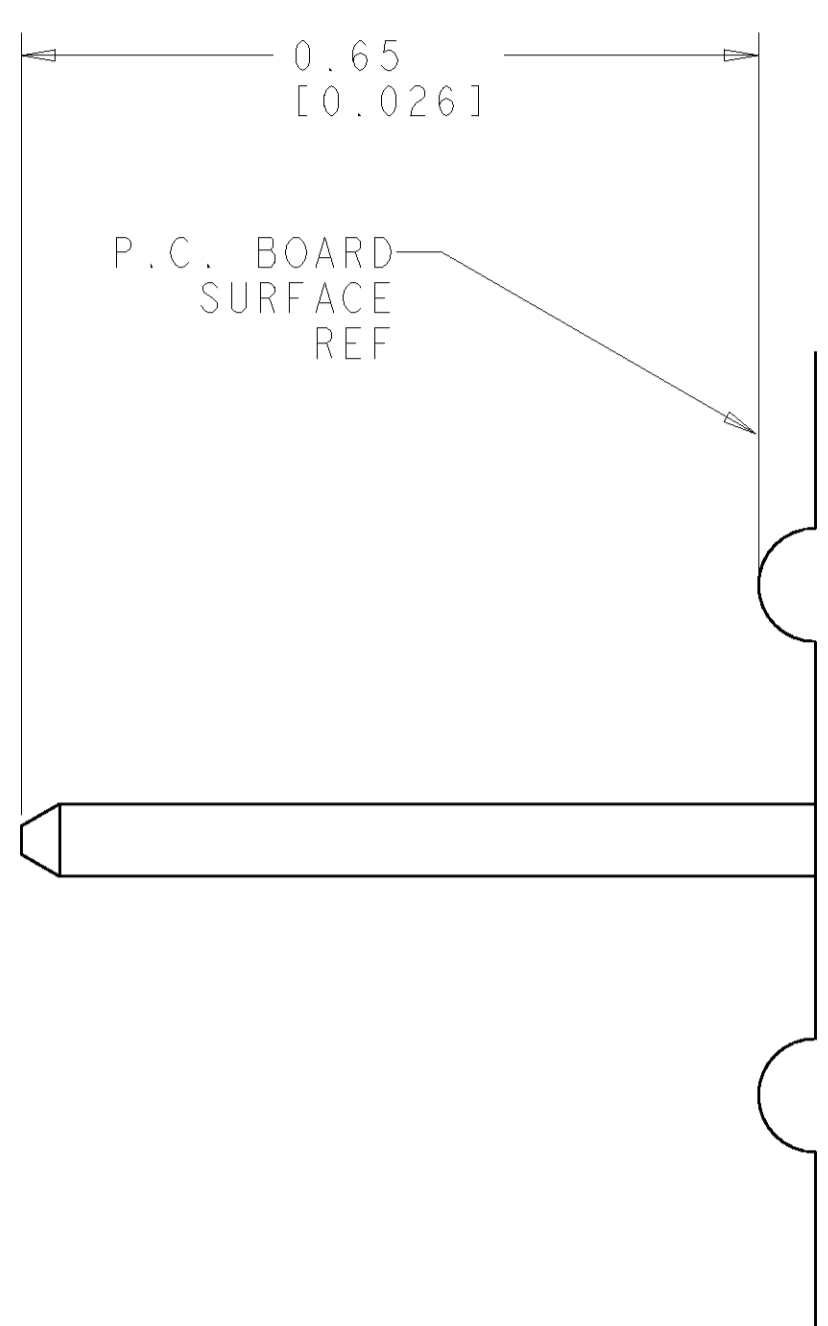
CONNECTOR	EQUIVALENT CATALOG MODULE #	MODULE QTY	CONTACT QTY	SIZE NO.	MATING PIN	MAX. CURRENT (PER CONTACT)	CONTACT SPACING	VOLTAGE RATING
PIN	FP101	6	6	8	1.25 X 7.00 [.049 X .276]	35 amps	7.50 [.2953]	250 VOLTS
	FP312	1	6	22	.64 [.025] SQ.	3 amps	2.50 [.0984]	125 VOLTS
	FP300	1	24	22	.64 [.025] SQ.	3 amps	2.50 [.0984]	125 VOLTS
	FP500	1	LEFT MOUNTING FLANGE					
	FP511	2	SPACER					
	FP501	1	RIGHT MOUNTING FLANGE					
	FP502	2	STRAIGHT GUIDE SOCKETS					

DIMENSIONS: mm  
 TOLERANCES UNLESS OTHERWISE SPECIFIED:  
 0 PLC ±.3 [.012]  
 1 PLC ±.3 [.012]  
 2 PLC ±.15 [.006]  
 3 PLC ±.15 [.006]  
 4 PLC ±.15 [.006]  
 ANGLES ±.5  
 FINISH -  
 MATERIAL -  
 WEIGHT -  
 CUSTOMER DRAWING

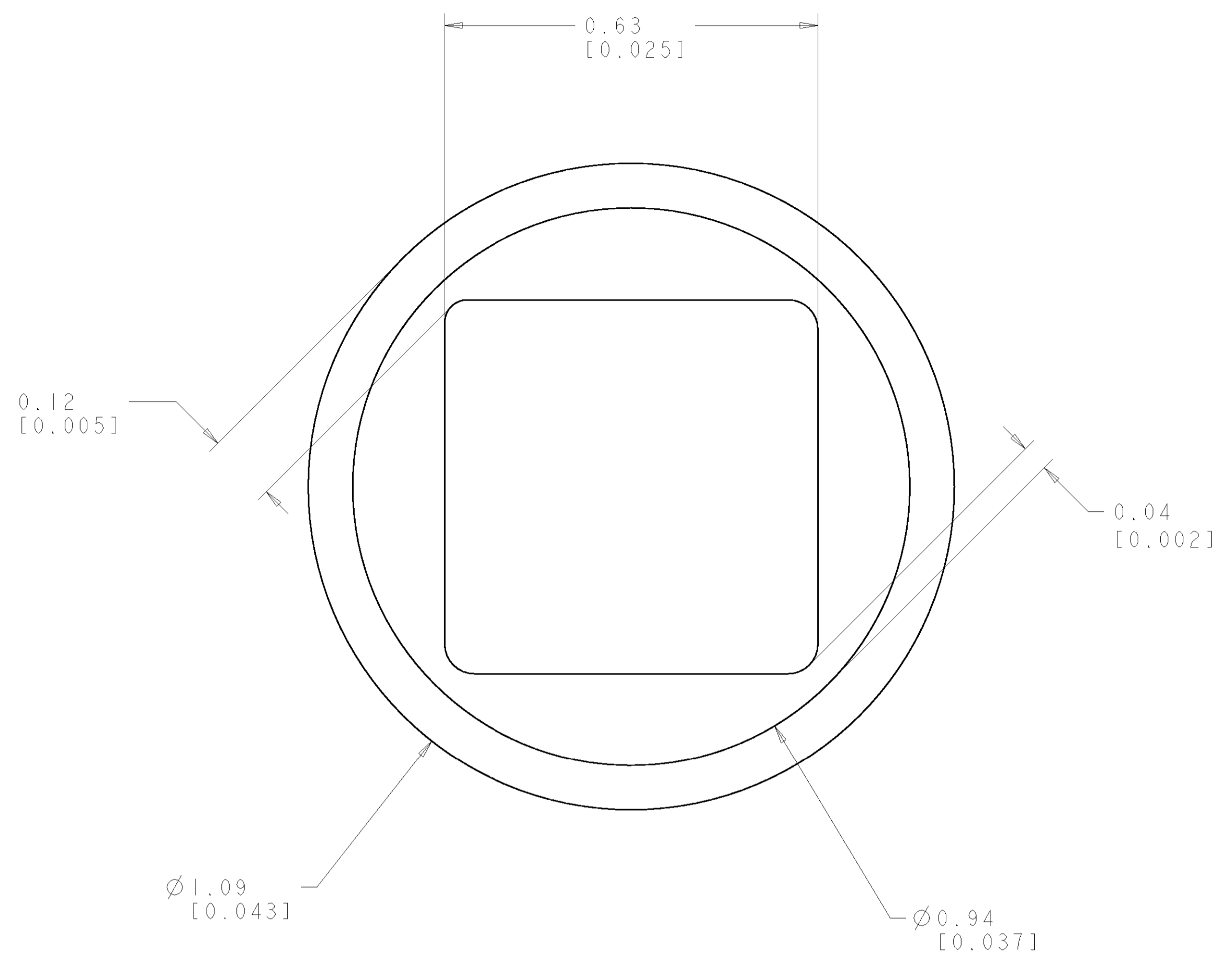
DWN B. GRZYBOWSKI 11 JUN 2007  
 CHK P. DAMATO 11 JUN 2007  
 APVD S. FLICKINGER 11 JUN 2007  
 NAME S. FLICKINGER  
 PRODUCT SPEC -  
 APPLICATION SPEC -  
 SIZE A1 00779 C=6651981  
 SCALE 3:1 SHEET 2 OF 3 REV A

Tyco Electronics  
 Harrisburg, PA 17105-3608

LOC	DIST	REVISIONS			
P	LTR	DESCRIPTION	DATE	DNW	APVD
-	-	SEE SHEET 1	-	-	-



6. SOLDER PIN DETAIL  
SCALE 10:1



**△ SOLDER TERMINATION AREA**  
 SCALE 40:1  
 RECOMMENDED PRINTED CIRCUIT SOLDER HOLE  
 FINISHED HOLE: ∅ 1.02 [0.040] ± 0.08 [0.003]  
 DRILLED HOLE: ∅ 1.15 [0.0453] ± 0.013 [0.0005]  
 COPPER PLATE: 0.025 [0.0010] MIN  
 TIN PLATE: 0.008 [0.0003] MIN. (PER SURFACE)

ELCON FLATPAQ

<small>THIS DRAWING IS UNPUBLISHED. RELEASED FOR PUBLICATION. THIS DRAWING IS THE PROPERTY OF TYCO ELECTRONICS CORPORATION. IT IS TO BE USED ONLY FOR THE PURPOSES AND APPLICATIONS SPECIFIED HEREIN. ANY OTHER USE IS STRICTLY PROHIBITED. TYCO ELECTRONICS CORPORATION IS NOT RESPONSIBLE FOR ANY DAMAGE TO PROPERTY OR PERSONS ARISING FROM THE USE OF THIS DRAWING.</small>		DWN B. GRZYBOWSKI   JUN2007 CHK P. DAMATO   JUN2007 APVD S. FLICKINGER   JUN2007	Tyco Electronics Harrisburg, PA 17105-3608
DIMENSIONS: mm 	TOLERANCES UNLESS OTHERWISE SPECIFIED: 0 PLC ± 1 PLC ±.3 [0.012] 2 PLC ±.15 [0.006] 3 PLC ± 4 PLC ± ANGLES ±.5 FINISH -	NAME PRODUCT SPEC APPLICATION SPEC WEIGHT CUSTOMER DRAWING	PIN CONNECTOR ASSEMBLY STRAIGHT, SOLDER TAILS FLATPAQ SIZE CAGE CODE DRAWING NO A   00779   C=6651981 RESTRICTED TO SCALE 3:1 SHEET 3 OF 3 REV A

单击下面可查看定价，库存，交付和生命周期等信息

[>>TE Connectivity\(泰科\)](#)