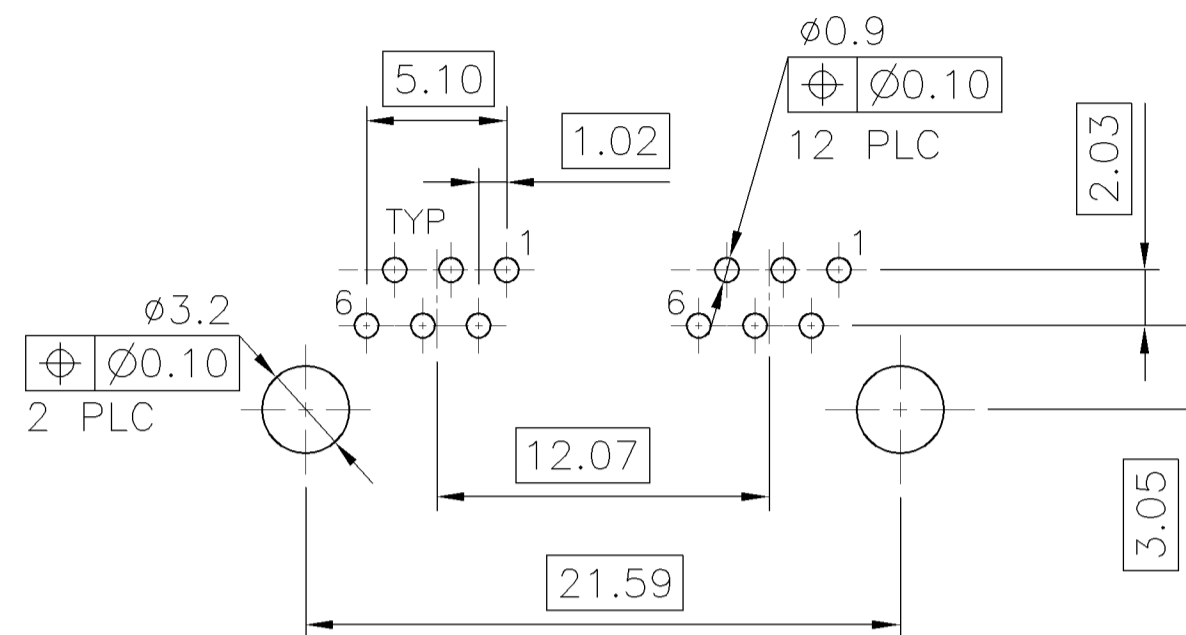
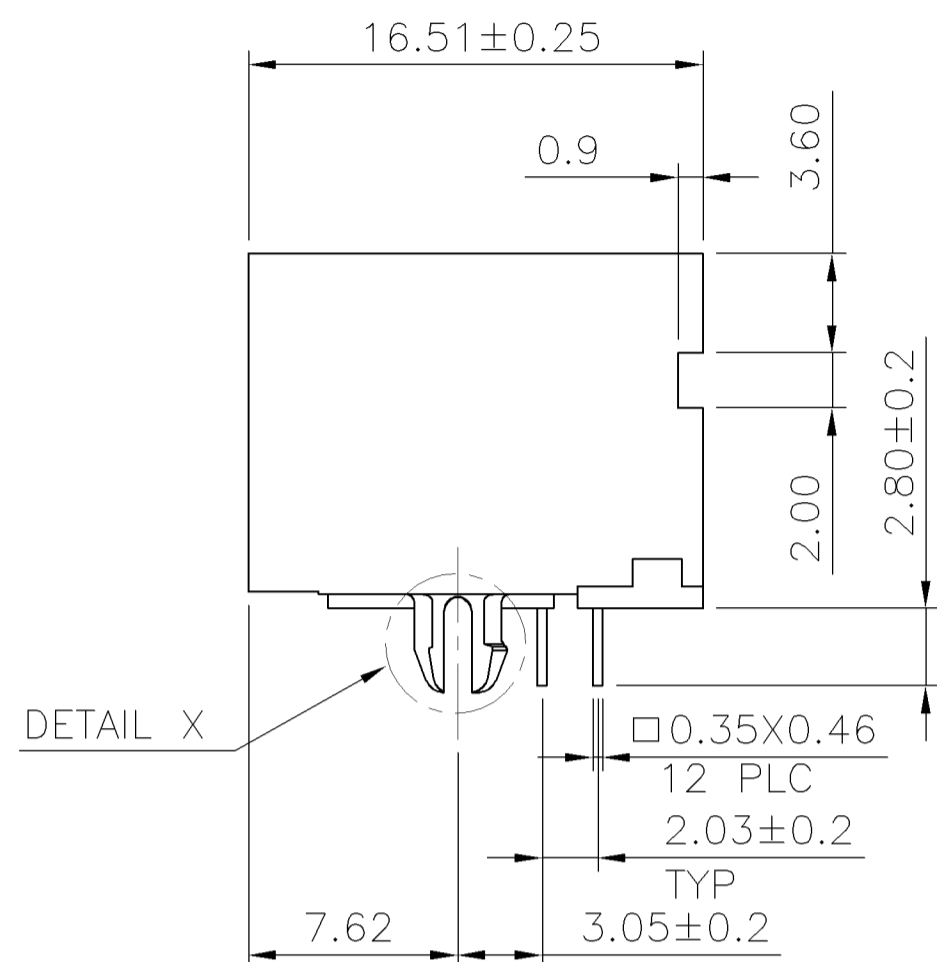
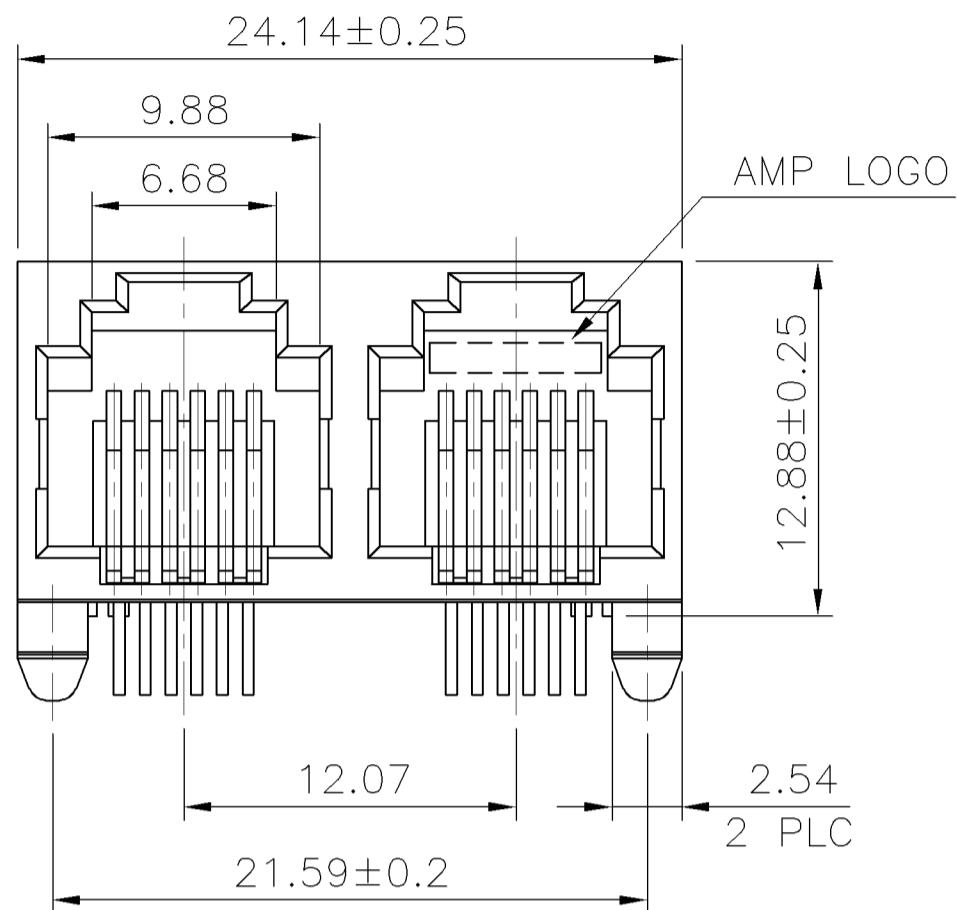
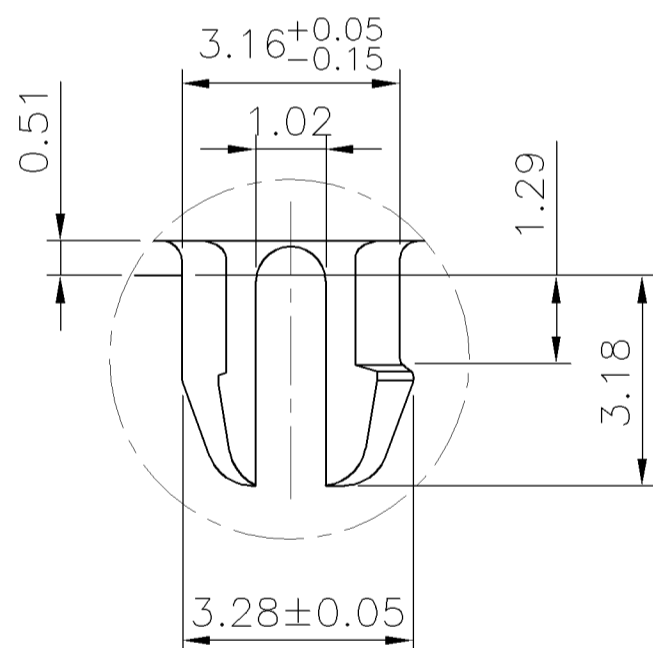
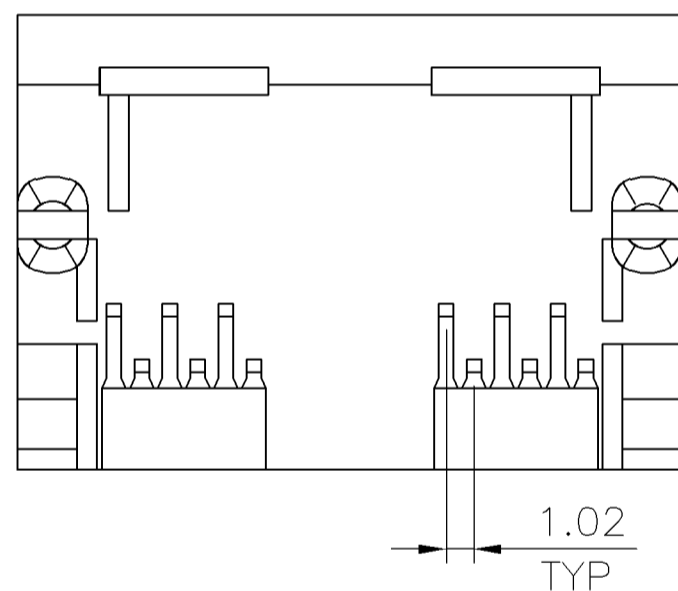


THIS DRAWING IS UNPUBLISHED. RELEASED FOR PUBLICATION
 © COPYRIGHT BY TYCO ELECTRONICS CORPORATION. ALL RIGHTS RESERVED.

LOC DW	DIST —	REVISIONS		
P	LTR	DESCRIPTION	DATE	DWN
	A	RELEASED	04MAY07	OH
				APVD WK



RECOMMENDED PCB LAYOUT (THICKNESS: 1.2mm)
 DIMENSION TOLERANCE: (1 PLC: ±0.1 2PLC: ±0.05)



DETAIL X

HOUSING COLOR	NO. OF CONTACTS	MIN. GOLD THICKNESS	PART NUMBER	HOUSING COLOR	NO. OF CONTACTS	MIN. GOLD THICKNESS	PART NUMBER
GREEN	6	1.37µm [50µ"]	3-1734479-4	BLACK	6	1.37µm [50µ"]	1-1734479-4
	6	0.762µm [30µ"]	3-1734479-3		6	0.762µm [30µ"]	1-1734479-3
	6	0.381µm [15µ"]	3-1734479-2		6	0.381µm [15µ"]	1-1734479-2
	6	0.152µm [6µ"]	3-1734479-1		6	0.152µm [6µ"]	1-1734479-1
	4	1.37µm [50µ"]	2-1734479-4		4	1.37µm [50µ"]	1734479-4
	4	0.762µm [30µ"]	2-1734479-3		4	0.762µm [30µ"]	1734479-3
	4	0.381µm [15µ"]	2-1734479-2		4	0.381µm [15µ"]	1734479-2
	4	0.152µm [6µ"]	2-1734479-1		4	0.152µm [6µ"]	1734479-1

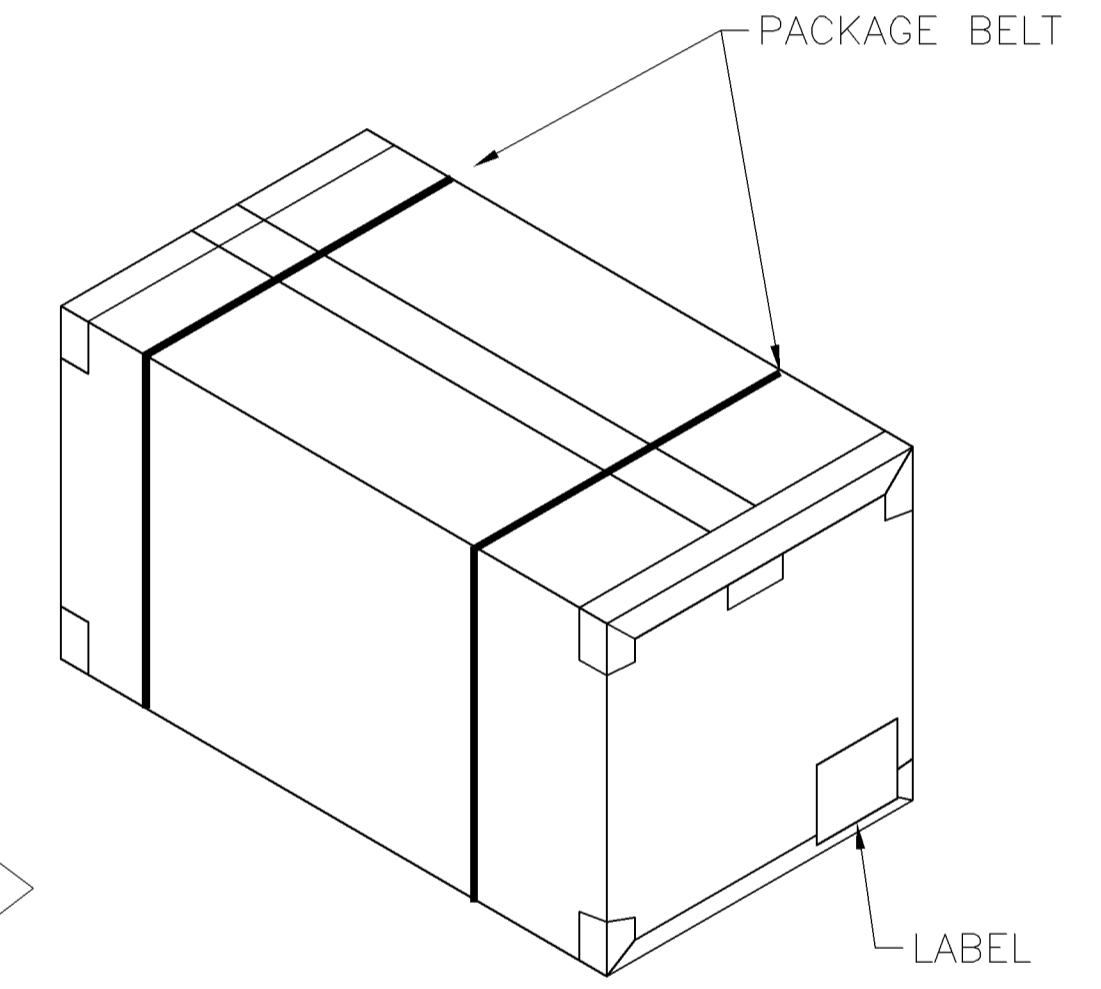
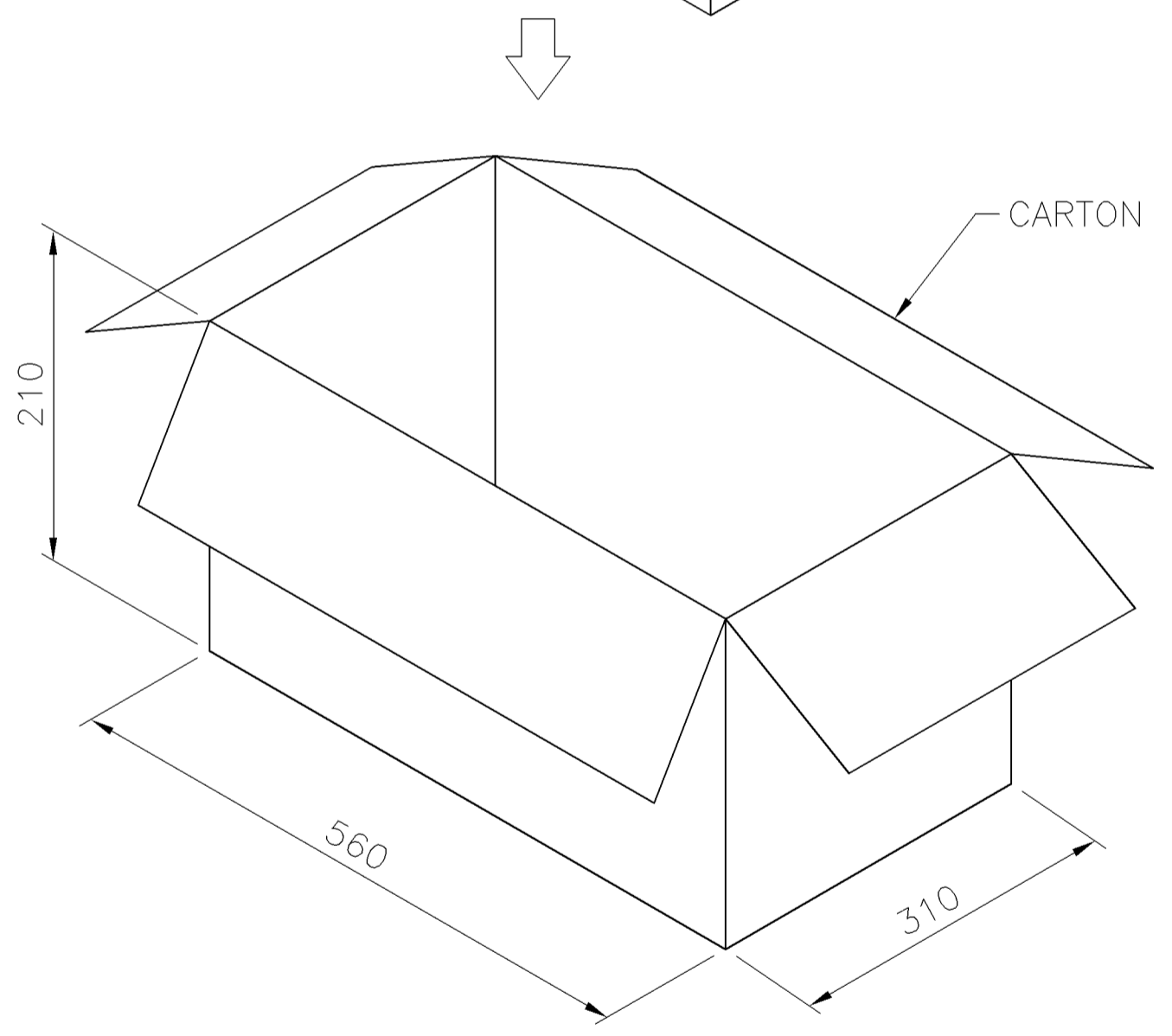
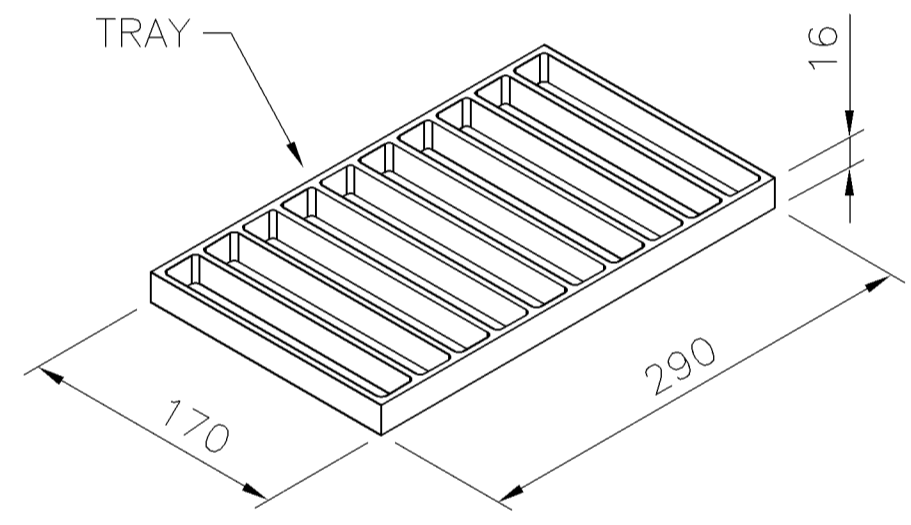
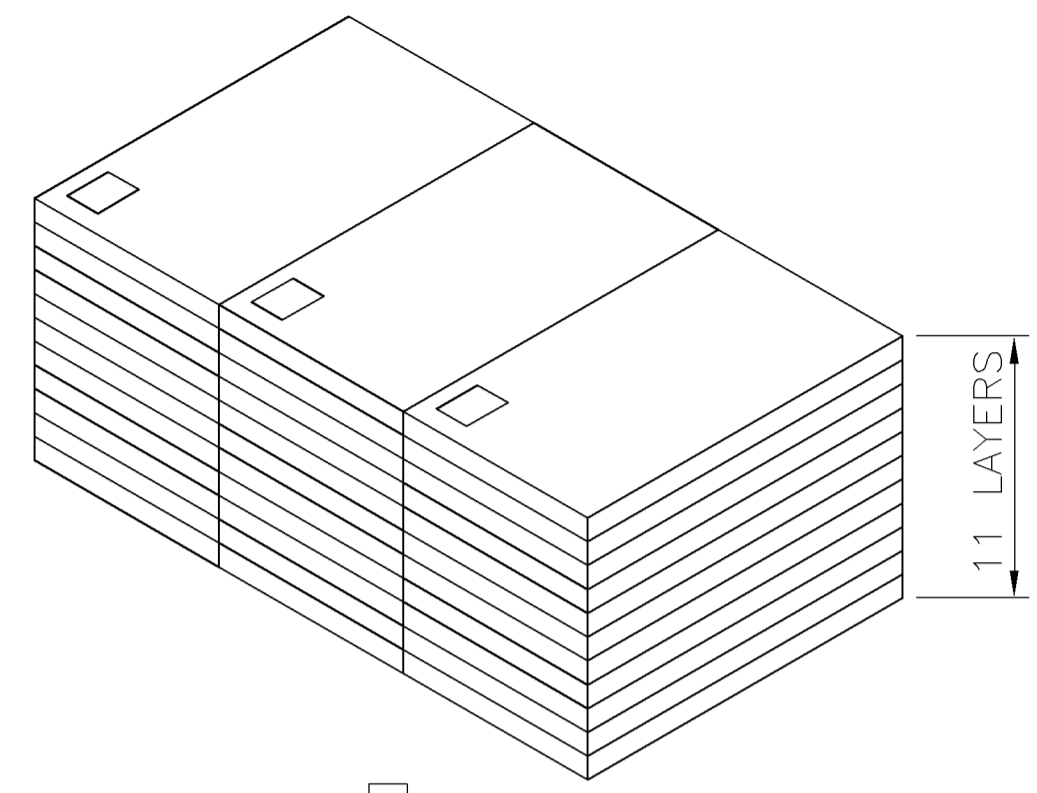
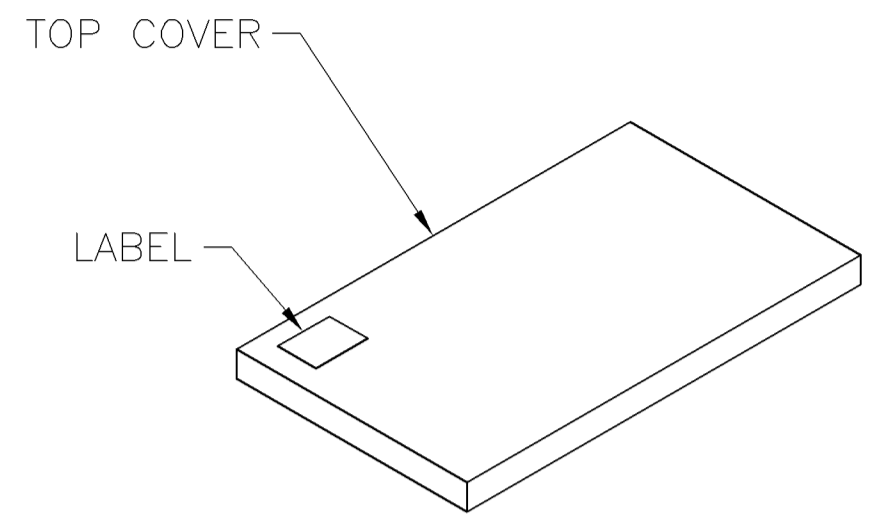
NOTE:

- MATERIAL:
HOUSING: PA46 WITH 30% GF, UL 94V-0, BLACK COLOR.
CONTACTS: PHOSPHOR BRONZE.
- FINISH:
CONTACTS: SELECTIVE GOLD PLATED (SEE TABLE) ON CONTACT AREA, GOLD FLASH ON SOLDER TAIL, WITH ENTIRE CONTACT UNDERPLATED 1.27µm [50µ"] MIN. NICKEL.
- WAVE SOLDER CAPABLE TO 265°C PER TYCO TEST SPEC. 109-202, CONDITION B.

THIS DRAWING IS A CONTROLLED DOCUMENT.		DWN O. HU 03MAY2007	tyco Tyco Electronics Corporation	
		CHK S. HOU 03MAY2007	Electronics Taipei, Taiwan	
		APVD W.J. KE 03MAY2007	NAME	
DIMENSIONS: MM		PRODUCT SPEC 108-57535	MODULAR JACK RJ11, DOUBLE-PORT, SIDE ENTRY, THROUGH-HOLE, LOW PROFILE	
TOLERANCES UNLESS OTHERWISE SPECIFIED:		QUALIFICATION TEST REPORT 501-57733	SIZE	CAGE CODE
0 PLC ± 0.50		WEIGHT 3.5 GRAMS	A3	00779
1 PLC ± 0.38		DRAWING NO		RESTRICTED TO
2 PLC ± 0.25		C=1734479		—
3 PLC ± 0.10		SCALE —		SHEET 1 OF 2
4 PLC ± —		REV A		
ANGLES ± —		CUSTOMER DRAWING		
MATERIAL SEE NOTE		FINISH SEE NOTE		

THIS DRAWING IS UNPUBLISHED. RELEASED FOR PUBLICATION
 © COPYRIGHT BY TYCO ELECTRONICS CORPORATION. ALL RIGHTS RESERVED.

LOC DW	DIST —	REVISIONS			
P	LTR	DESCRIPTION	DATE	DWN	APVD
		SEE SHEET 1.			



9 Kg	7 Kg	60	33	1980 PCS
GROSS WEIGHT	NET WEIGHT	PCS/TRAY	TRAYS /CARTON	QUANTITY

THIS DRAWING IS A CONTROLLED DOCUMENT.		DWN O. HU 03MAY2007	Tyco Electronics Corporation Taipei, Taiwan		
DIMENSIONS: MM		CHK S. HOU 03MAY2007			
TOLERANCES UNLESS OTHERWISE SPECIFIED:		APVD W.J. KE 03MAY2007	NAME MODULAR JACK RJ11,DOUBLE-PORT, SIDE ENTRY, THROUGH-HOLE, LOW PROFILE		
0 PLC ± - 1 PLC ± - 2 PLC ± - 3 PLC ± - 4 PLC ± - ANGLES ± -		PRODUCT SPEC —	SIZE A3	CAGE CODE 00779	DRAWING NO C=1734479
MATERIAL		APPLICATION SPEC —	RESTRICTED TO —		
FINISH		WEIGHT —	CUSTOMER DRAWING		
		SCALE —	SHEET 2 OF 2		REV A

单击下面可查看定价，库存，交付和生命周期等信息

[>>TE Connectivity\(泰科\)](#)