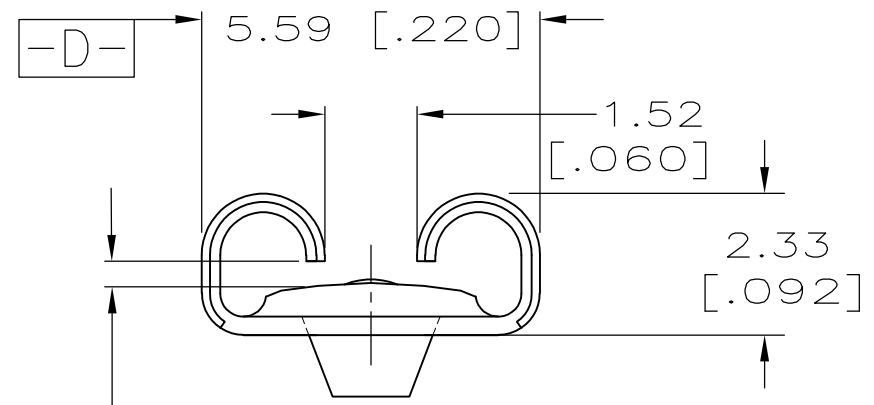
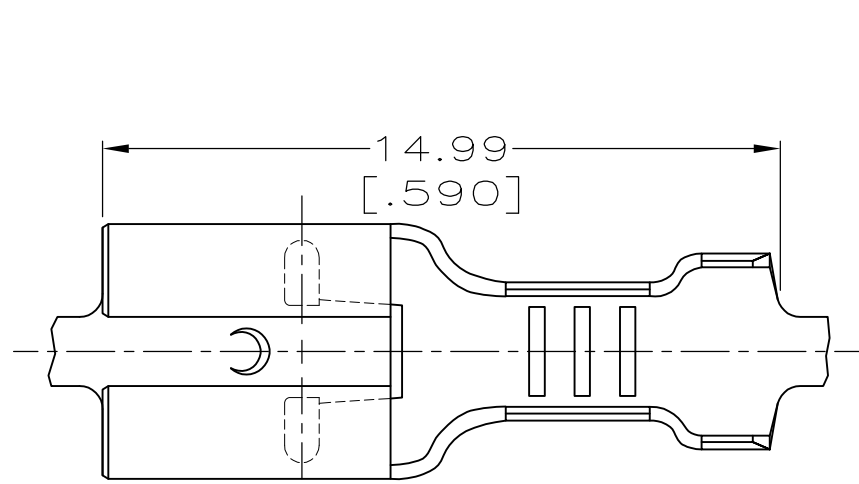


THIS DRAWING IS UNPUBLISHED. RELEASED FOR PUBLICATION
 © COPYRIGHT - By - ALL RIGHTS RESERVED.

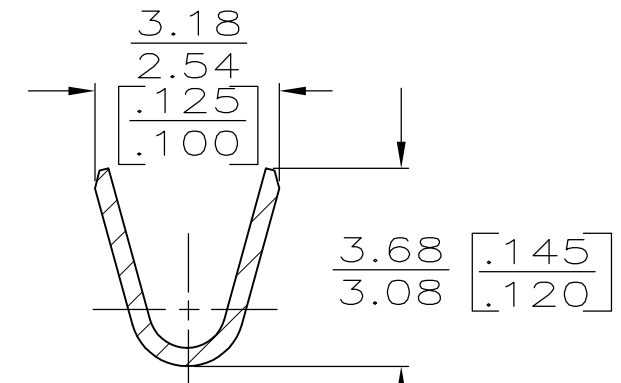
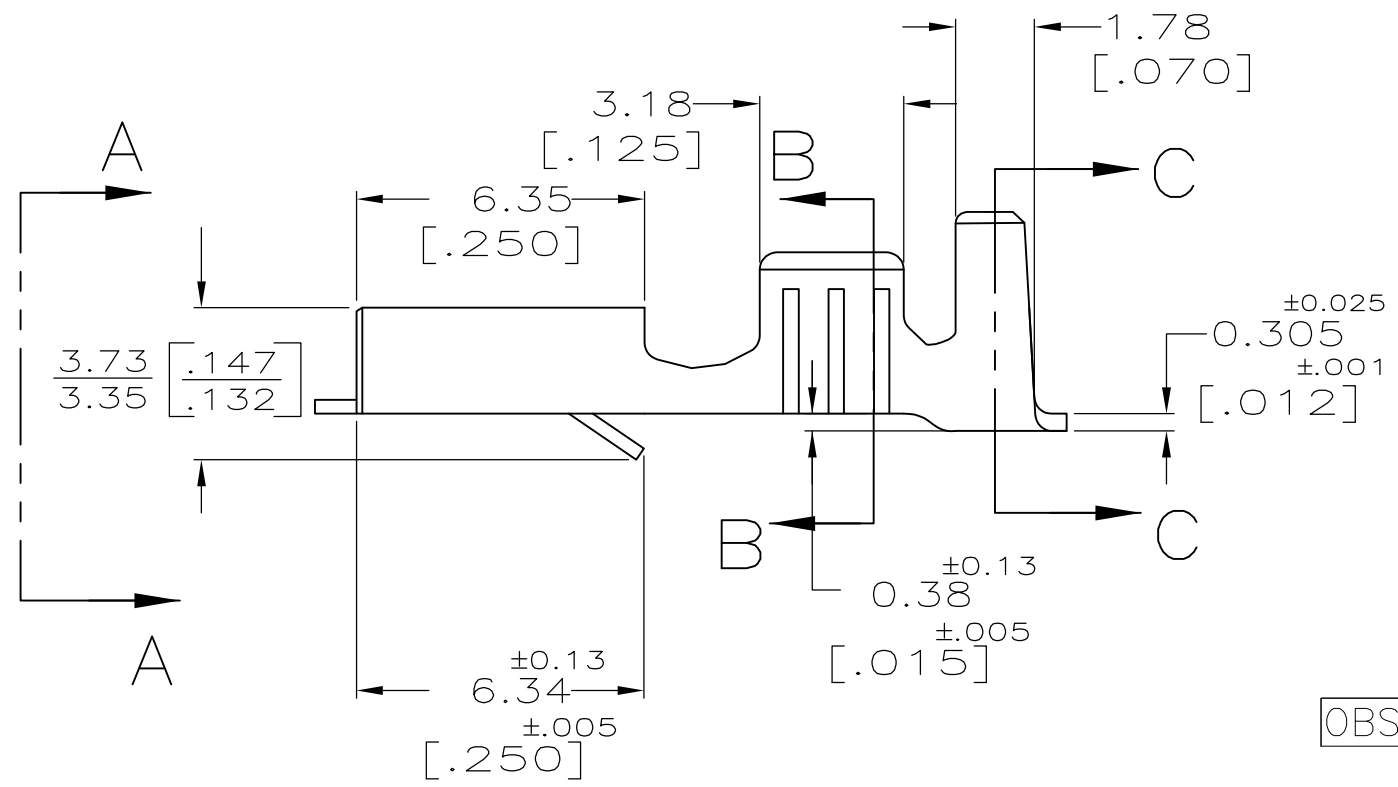
LOC	DIST	REVISIONS					
AF	50	P	LTR	DESCRIPTION	DATE	DWN	APVD
		M		REVISED PER ECR-13-005733	30AUG2013	KH	PD

1 CONTINUOUS STRIP ON REELS

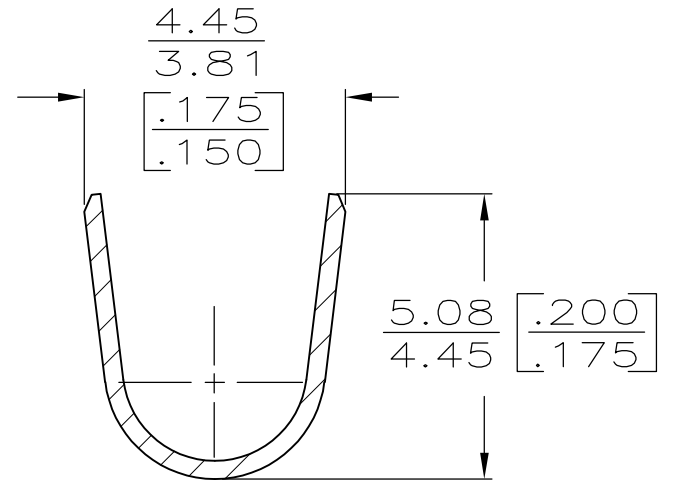


FITS 4.75 [.187] SERIES FASTON TAB

VIEW A-A
SCALE 8:1



SECTION B-B
SCALE 8:1



SECTION C-C
SCALE 8:1

OBSOLETE	TIN	2.28 - 3.30	0.3 - 1.4mm ²	0.51 [.020]	62529-2
	-	[.090 - .130]	[22-16]		62529-1
	FINISH	INSUL RANGE	WIRE SIZE	MATING TAB THK±0.025 [.001]	PART NO

THIS DRAWING IS A CONTROLLED DOCUMENT.		DWN	JR RUTH	5/9/90	STE TE Connectivity
DIMENSIONS: INCHES		CHK	MS FEHER	5/9/90	
TOLERANCES UNLESS OTHERWISE SPECIFIED:		APVD	J GILLESPIE	5/9/90	
0 PLC ± - 1 PLC ± - 2 PLC ± - 3 PLC ± 0.38 [.015] 4 PLC ± - ANGLES ± -		PRODUCT SPEC		NAME	
MATERIAL	BRASS	FINISH		SEE TABLE	RECEPTACLE, FASTON-FASTON, .187 SERIES
		WEIGHT	-		SIZE
		CUSTOMER DRAWING		SCALE	6:1
				SHEET	1 OF 1
				REV	M

单击下面可查看定价，库存，交付和生命周期等信息

[>>TE Connectivity\(泰科\)](#)