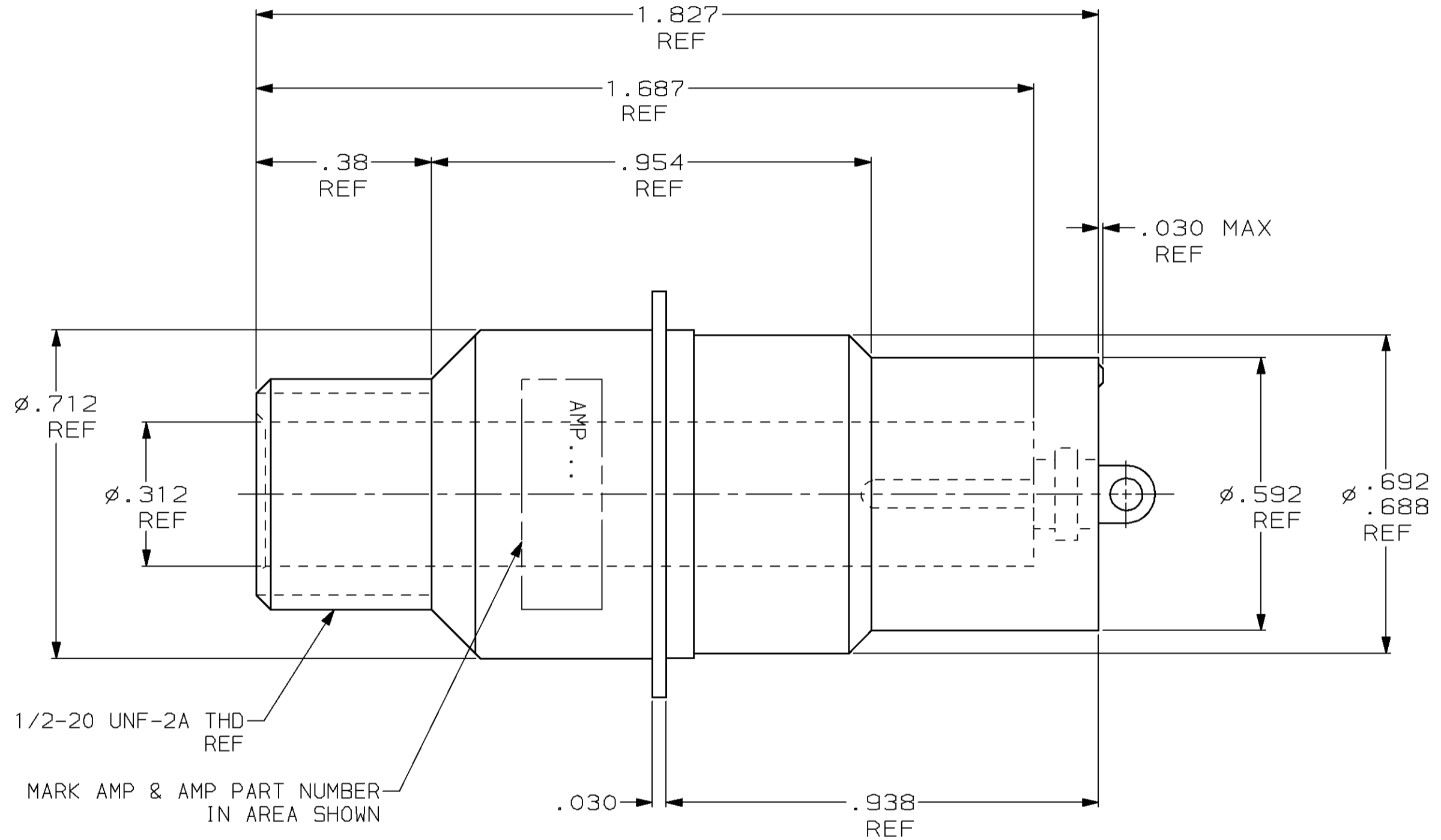
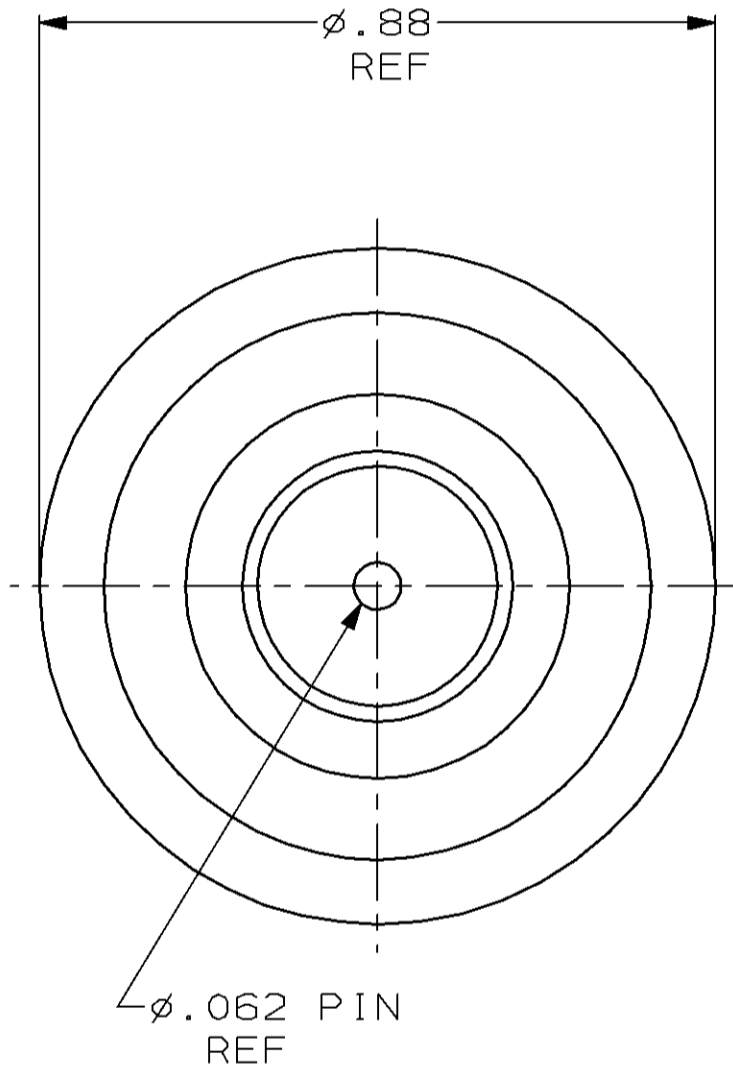


THIS DRAWING IS UNPUBLISHED. RELEASED FOR PUBLICATION
 BY AMP INCORPORATED. ALL RIGHTS RESERVED.

LOC	DIST	REVISIONS			
P	LTR	DESCRIPTION	DATE	DWN	APVD
DF	SO				
C		REV PER 0600-7334-98	070CT98	TT	DE

1. RECEPTACLE IS HERMETICALLY SEALED.



301-0002-150	867960-1
CUSTOMER PART NUMBER	PART NUMBER

THIS DRAWING IS A CONTROLLED DOCUMENT.		DWN T. THOMPSON 070CT98	AMP Incorporated Harrisburg, PA 17105-3608															
DIMENSIONS: IN		CHK S. GLATFELTER 070CT98	NAME S. GLATFELTER 070CT98															
TOLERANCES UNLESS OTHERWISE SPECIFIED:		APVD S. GLATFELTER 070CT98																
<table border="1"> <tr><td>0 PLC</td><td>±-</td></tr> <tr><td>1 PLC</td><td>±-</td></tr> <tr><td>2 PLC</td><td>±-</td></tr> <tr><td>3 PLC</td><td>±-</td></tr> <tr><td>4 PLC</td><td>±-</td></tr> <tr><td>ANGLES</td><td>±-</td></tr> <tr><td>FINISH</td><td>-</td></tr> </table>		0 PLC	±-	1 PLC	±-	2 PLC	±-	3 PLC	±-	4 PLC	±-	ANGLES	±-	FINISH	-	PRODUCT SPEC -	SIZE A2	CAGE CODE 00779
0 PLC	±-																	
1 PLC	±-																	
2 PLC	±-																	
3 PLC	±-																	
4 PLC	±-																	
ANGLES	±-																	
FINISH	-																	
MATERIAL -	FINISH -	APPLICATION SPEC -	DRAWING NO 867960	RESTRICTED TO -														
CUSTOMER DRAWING			SCALE 4:1	SHEET 1 OF 1														

867960

单击下面可查看定价，库存，交付和生命周期等信息

[>>TE Connectivity\(泰科\)](#)