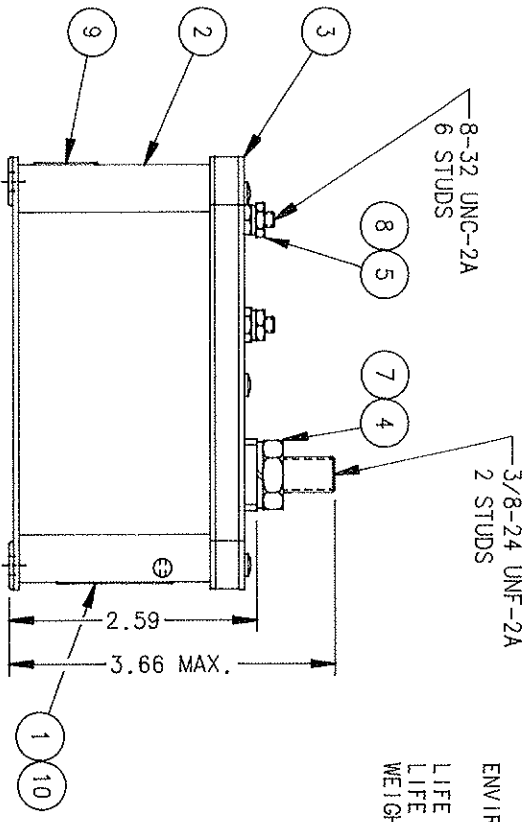
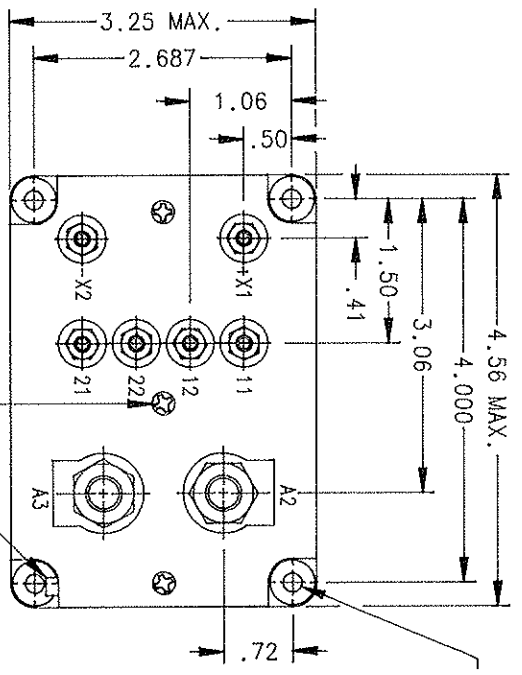


REV.	DESCRIPTION	DATE	APPROVED
F	22972 REDRAWN, ADDED ITEM 10	3/2/93	MS
G	25081 ITEM 2 WAS 37084-010	11/15/93	MS

A-931F  
REV. 6



CONSTRUCTION MAIN CONTACTS CONFIGURATION VOLTAGE (NOMINAL) CURRENT: RES. AUXILIARY CONTACTS CONFIGURATION VOLTAGE CURRENT: RES. COIL DATA DUTY CYCLE MAXIMUM OPERATE MINIMUM OPERATE PICKUP INITIAL DROP-OUT VOLTAGE RESISTANCE: INRUSH HOLD

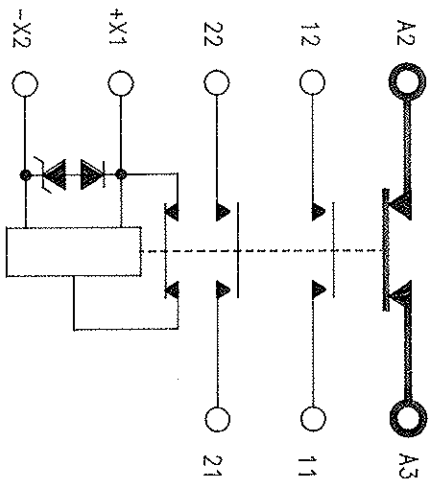
SUPPRESSION ENVIRONMENTAL DATA OPERATE TEMP. LIFE ELECTRICAL LIFE MECHANICAL WEIGHT, MAX.

GASKET SEALED (VENTED)

SPST N.C.  
28 VDC  
600 AMP (1000 AMP 30 SEC., 800 AMP 5 MIN.)

DPSI  
28 VDC  
5 AMP

CONTINUOUS, ECONOMIZING  
30 VDC  
18 VDC  
10 VDC MAX. AT 71°C  
1 VOLT TO 7 VOLTS  
3 OHM ±20% AT 25°C  
80 OHM ±20% AT 25°C  
45V PEAK



FIND NO	QTY REQD	PART OR IDENTIFYING NO	NOMENCLATURE OR DESCRIPTION	FSCM NO	DRAWING OR SPECIFICATION	MATERIAL OR NOTE
10	1	39529-001	OVERLAY			
9	1	25695-001	PLATE - WARNING			
8	6	51808-064	WASHER - LOCK .307 MAX. .047 SPLIT			BRONZE
7	2	51807-084	WASHER - LOCK 3/8 X .688 X .094 SPLIT			BRONZE
6	3	51200-020	SCREW NO. 4 X 1/4 SHEET METAL PAN HD.			S.S.
5	6	50408-034	NUT 8-32 X 5/16 X 3/32 HEX.			BRASS
4	2	50407-164	NUT 3/8-24 X 5/8 X 7/32 HEX.			BRASS
3	1	37793-001	PLATE - BASE COVER			
2	1	37804-010	CONTACTOR ASSEMBLY - PRIMARY			
1	1	16043-042	PLATE - NAME			

UNLESS OTHERWISE SPECIFIED DIMENSIONS ARE IN INCHES TOLERANCES IN		REF. CESSNA C III	
+	.06	+	.01
2 PL DEC. 3 PL DEC. ANGLES		DR BY LCB 11/29/93	
MATERIAL		CHK BY WBS 11-30-93	
		ENGR GRI 12-3-93	
		MFG GRI 12-2-93	
		RELEASE	
		CONTR. NO.	
		GOVT APPVL	

HARTMAN ELECTRICAL MANUFACTURING MANSP. FIELD, OHIO			
CONTACTOR	SPST-N.C.		
600A	28 VDC		
SIZE C	CODE 74063	DWG NO.	A-931F
SCALE NONE	SHEET		

单击下面可查看定价，库存，交付和生命周期等信息

[>>TE Connectivity\(泰科\)](#)