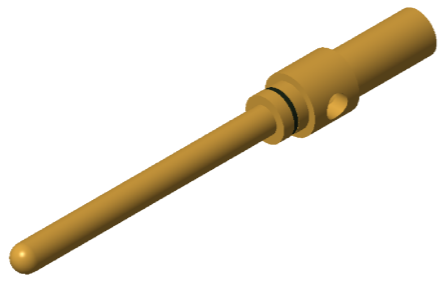
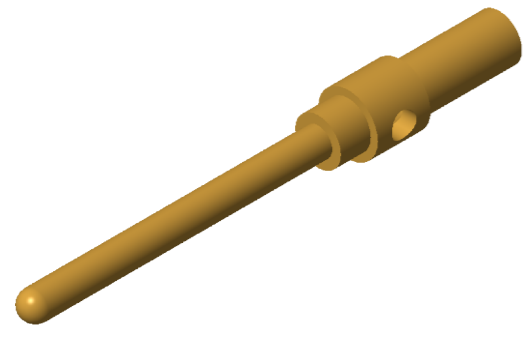
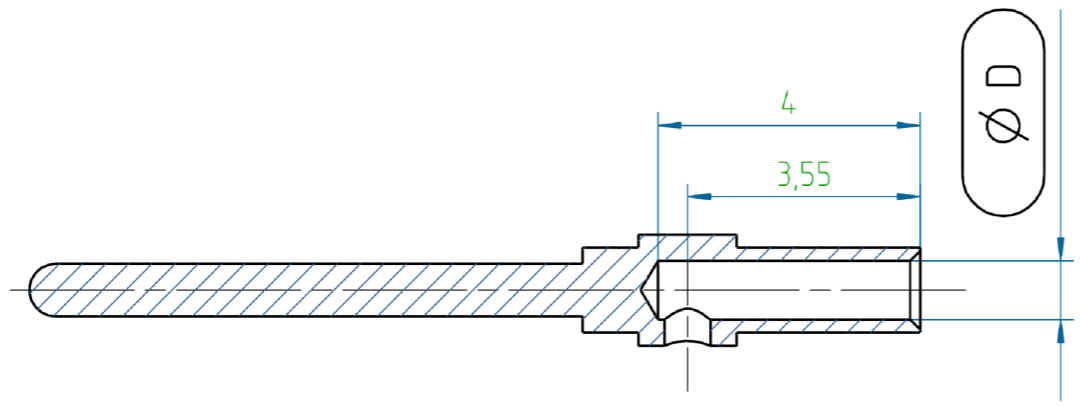
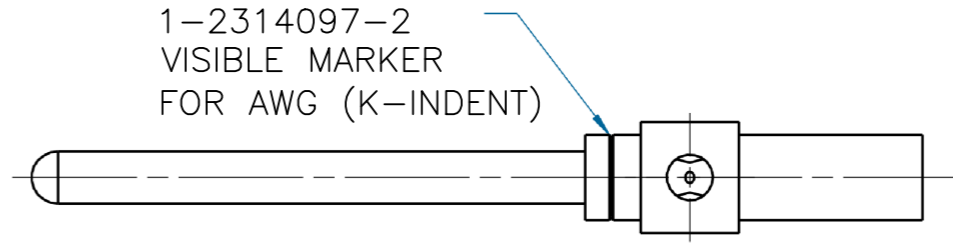
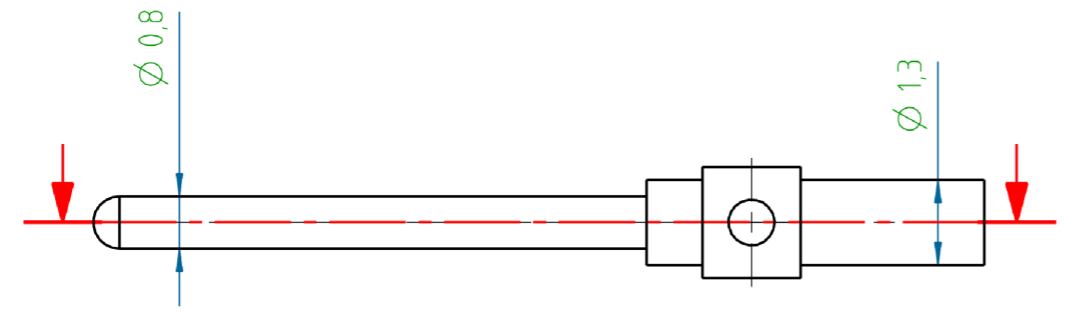


THIS DRAWING IS UNPUBLISHED.		RELEASED FOR PUBLICATION	
© COPYRIGHT - By -		ALL RIGHTS RESERVED.	
PROJECT	PRJ-14-000004825		
PART NO.	X-2314097-X		
DESCRIPTION	M12 CRIMP CONTACT PIN 0.8mm AWG22/AWG26		
CUSTOMER	GENERAL MARKET		

REVISIONS					
P	LTR	DESCRIPTION	DATE	DWN	APVD
	A2	REVISED PER ECR-17-013764	18SEP2017	GK	SE



SL.NO	PART NO.	PART NAME	$\varnothing D$	MATERIAL	SURFACE TREATMENT	REMARKS
2	1-2314097-2	M12 CRIMP CONTACT PIN A 0.8MM AWG26 (AU08)	0.6	BRASS	1.5-2.5 μ m Ni/0.8 μ m Au	K-INDENT
1	1-2314097-1	M12 CRIMP CONTACT PIN A 0.8MM AWG22/AWG24 (AU08)	0.9			-

THIS DRAWING IS A CONTROLLED DOCUMENT.		DWN KIRAN K 06DEC2016	TE Connectivity M12 CRIMP CONTACT PIN 0.8mm AWG22/AWG26				
DIMENSIONS: mm		CHK KIRAN K 06DEC2016					
TOLERANCES UNLESS OTHERWISE SPECIFIED: DIN ISO 2768 m		APVD S EGBERT 06DEC2016					
0 PLC $\pm -$ 1 PLC $\pm -$ 2 PLC $\pm -$ 3 PLC $\pm -$ 4 PLC $\pm -$ ANGLES $\pm -$		NAME 108-156001					
MATERIAL		PRODUCT SPEC 114-156002	SIZE A3	CAGE CODE 00779	DRAWING NO C-2314097	RESTRICTED TO -	
FINISH		WEIGHT	CUSTOMER DRAWING		SCALE NTS	SHEET 1 OF 1	REV A2

NOTES:
 1. APPLICATION TOOLING TO BE USED
 601967-1 (STANDARD), RECOMMENDED POSTIONER IS 1-2823582-4
 OR
 601966-1 (COMPACT), RECOMMENDED POSTIONER IS 1-2823581-1.

单击下面可查看定价，库存，交付和生命周期等信息

[>>TE Connectivity\(泰科\)](#)