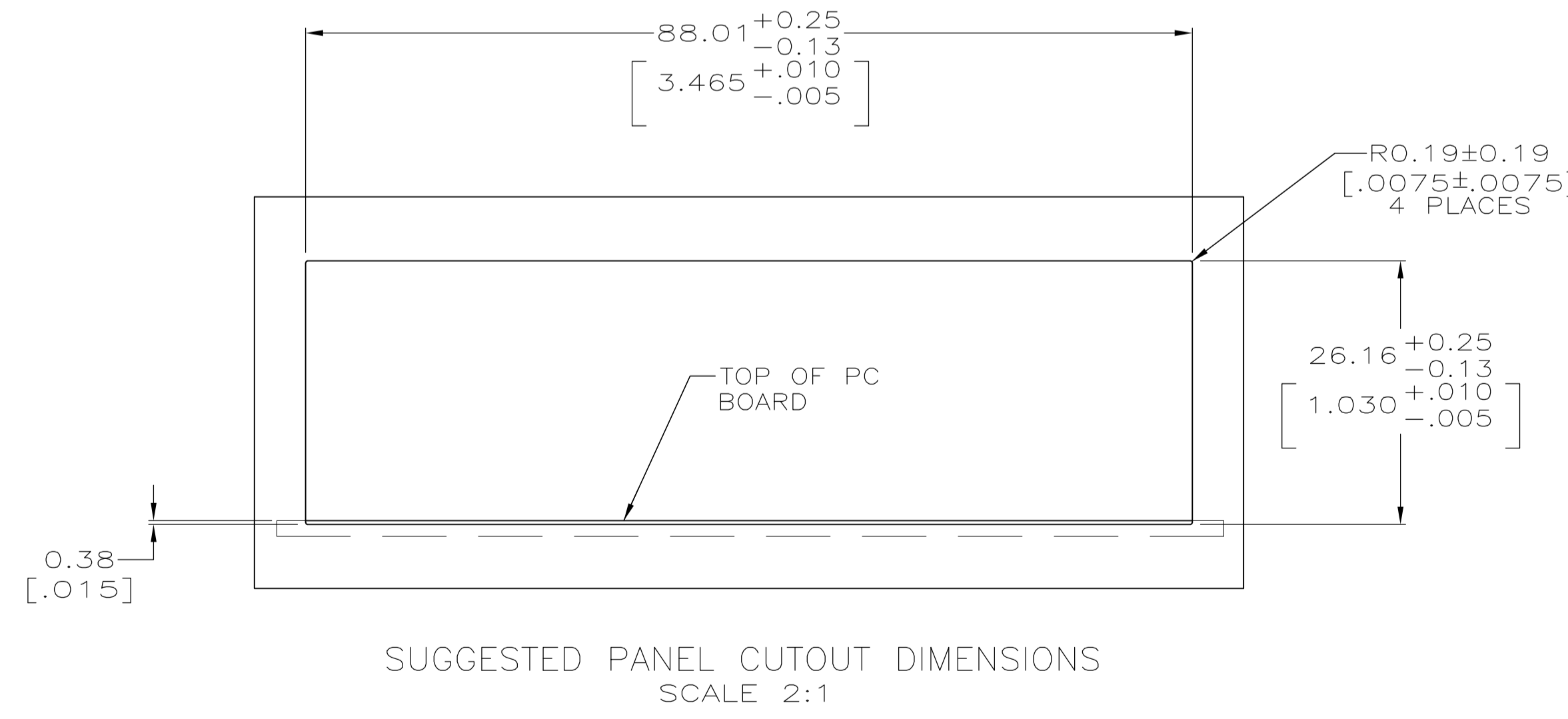
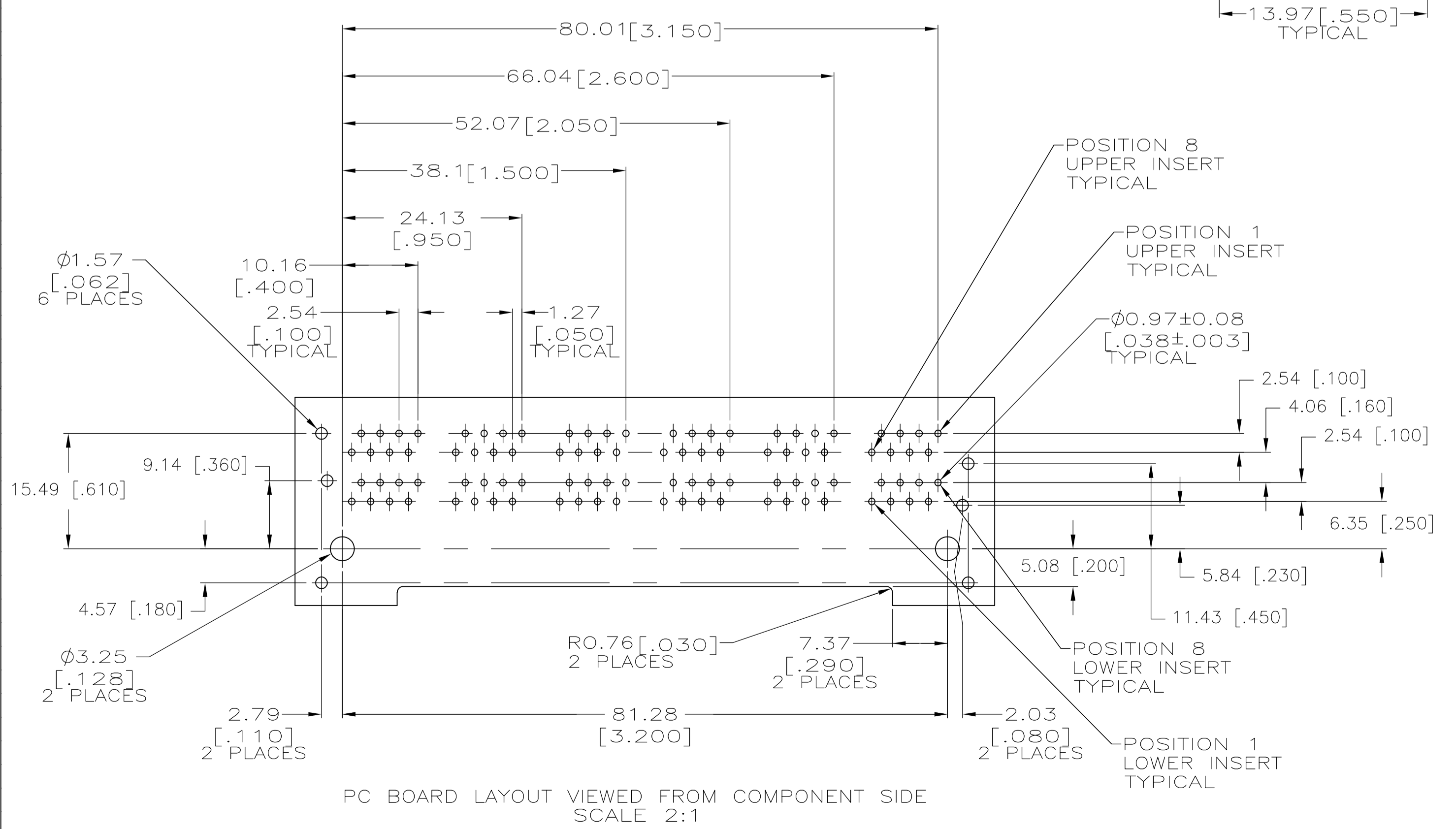
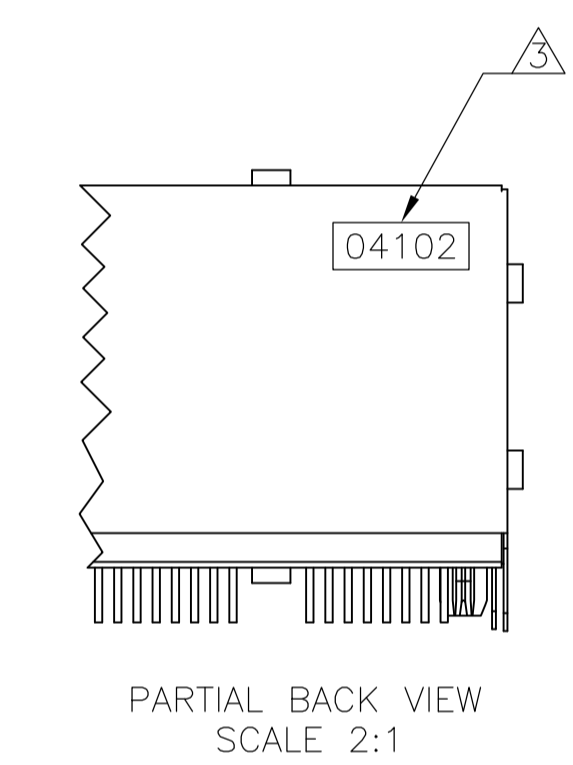
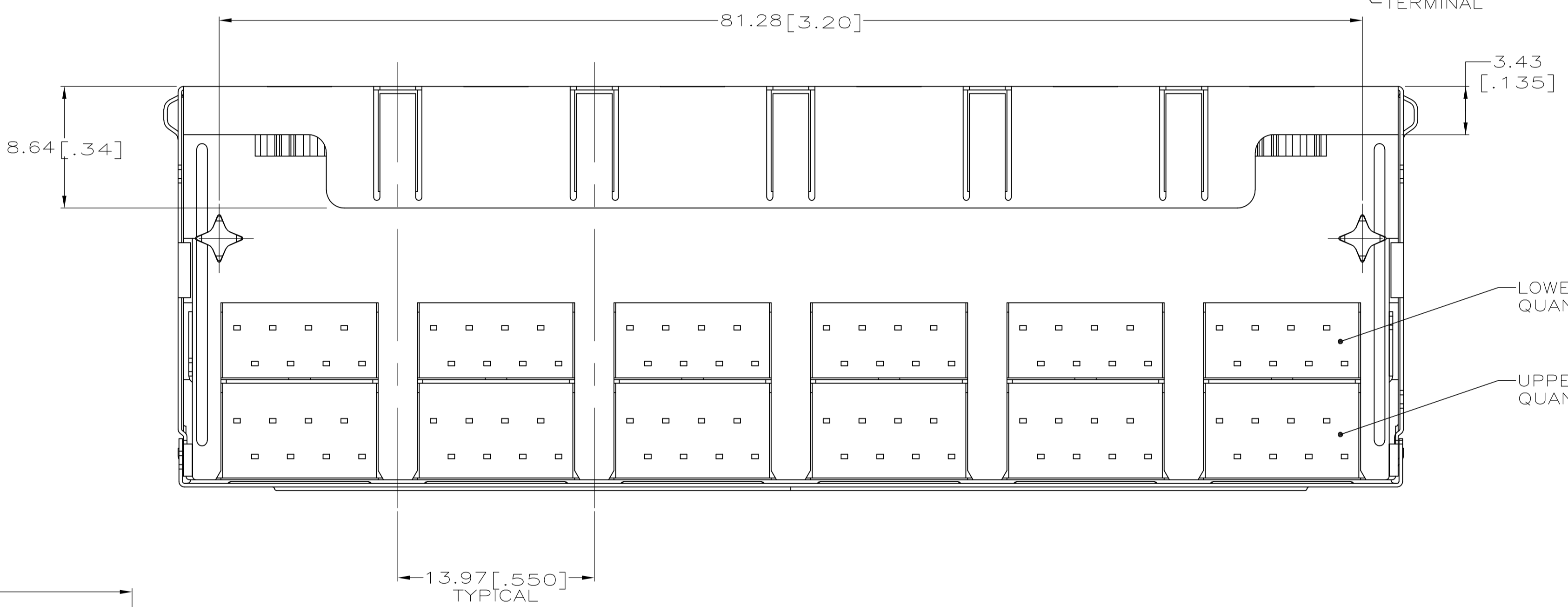
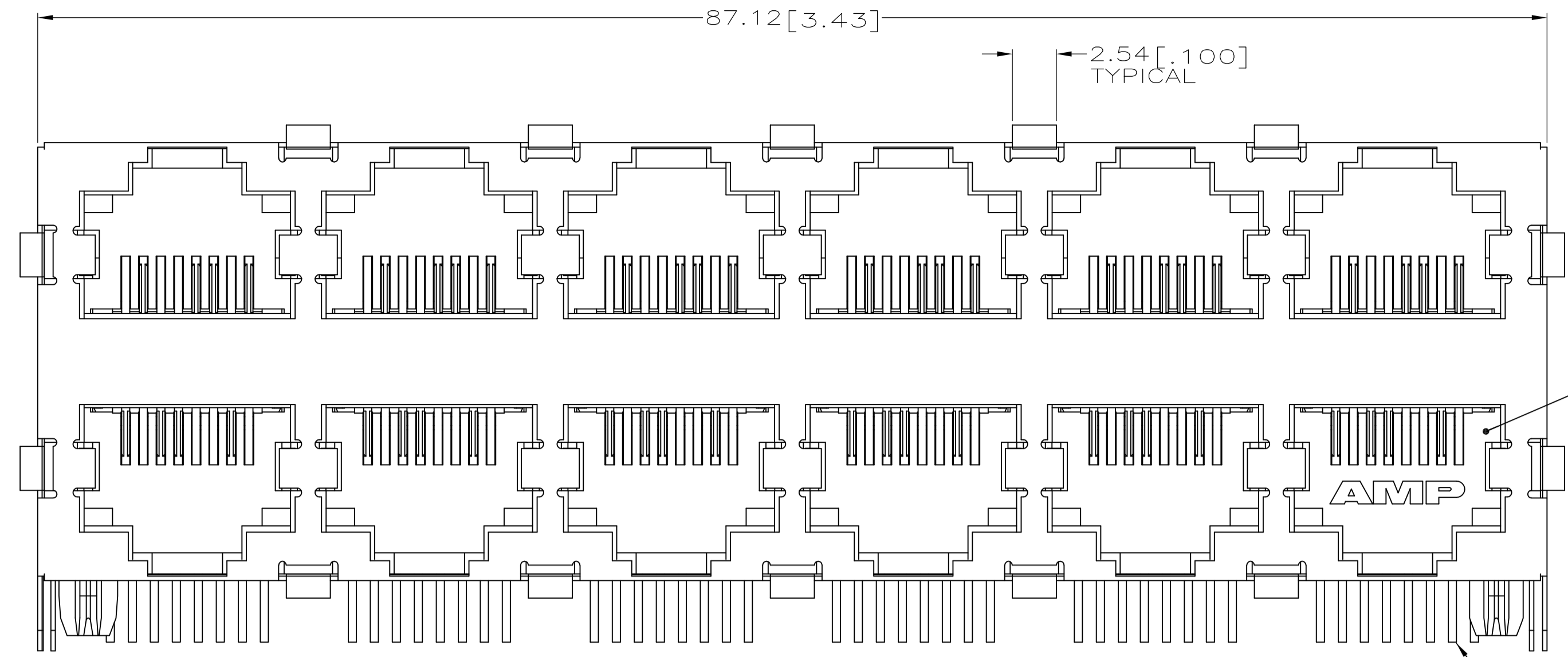
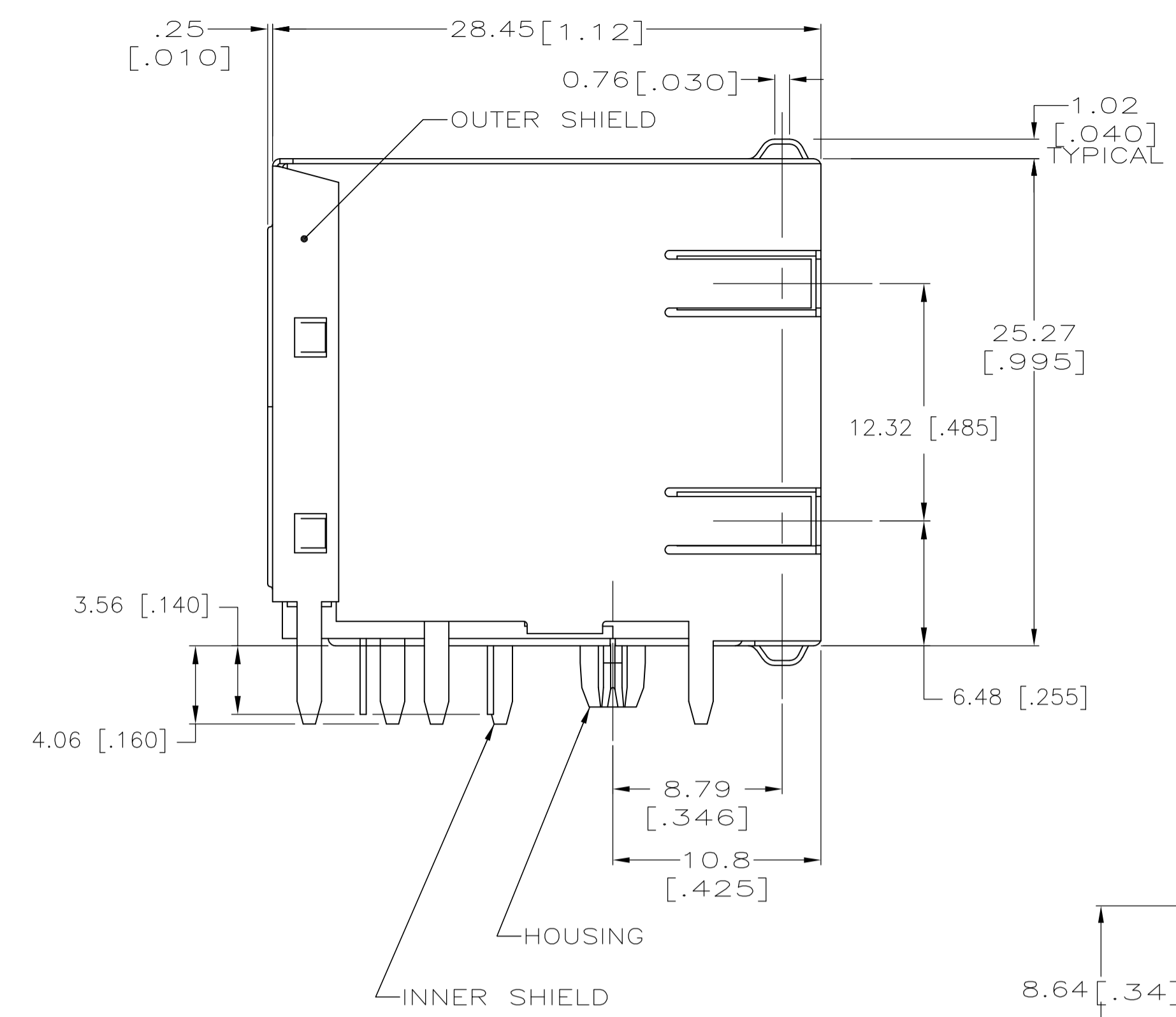


LOC		DIST		REVISIONS			
AA	22	F	LTR	DESCRIPTION	DATE	DWN	APVD
B1				REVISED ECR-08-031628	02DEC08	AZ	SY



△ MATERIAL:
 HOUSING - PCT POLYESTER, BLACK, UL94V-0.
 OVERMOLDED TERMINAL ARRAY - PBT, BROWN.
 TERMINALS - 0.33 [.013] THICK PHOS BRONZE PLATED WITH 1.27um [.000050] MIN THICK HARD GOLD IN LOCALIZED AREA AND 3.81um [.000150] MIN THICK MATTE TIN IN SOLDER AREA OVER 1.27um [.000050] MIN THICK NICKEL UNDERPLATE.
 SHIELDS - 0.25 [.010] THICK COPPER ALLOY PLATED WITH 1.27 um [.000050] MINIMUM NICKEL AND 2.03 um [.000080] MINIMUM HOT TIN DIP ON PCB GROUND TABS.

△ JACK CAVITY CONFORMS TO FCC RULES AND REGULATIONS, PART 68 SUBPART F.

△ DATE CODE LOCATED ON REAR OF PART APPROXIMATELY AS SHOWN:
 FIRST 2 DIGITS ARE LAST 2 DIGITS OF YEAR, SECOND 2 DIGITS ARE MANUFACTURING WORK WEEK, LAST DIGIT IS DAY OF WEEK, WITH SUNDAY = 1.

THIS DRAWING IS A CONTROLLED DOCUMENT.		DIN T. SPRINKLE/L.A. MAYER 25MAY2005		Tyco Electronics Corporation Harrisburg, Pa 17105-3608	
DIMENSIONS: mm [INCHES]		TOLERANCES UNLESS OTHERWISE SPECIFIED:		APVD S. FLICKINGER 25MAY2005	
0 PLC ± -		1 PLC ± -		NAME	
2 PLC ± 0.25[.01]		3 PLC ± 0.13[.005]		PRODUCT SPEC	
4 PLC ± -		ANGLES ± -		108-1163-2	
MATERIAL SEE NOTE 1		FINISH SEE NOTE 1		APPLICATION SPEC	
				114-2048	
				SIZE	
				A1 00779	
				C=5569263	
				RESTRICTED TO	
				CUSTOMER DRAWING	
				SCALE 4:1 SHEET 1 OF 1 REV B1	

5569263-1
PART NUMBER

单击下面可查看定价，库存，交付和生命周期等信息

[>>TE Connectivity\(泰科\)](#)