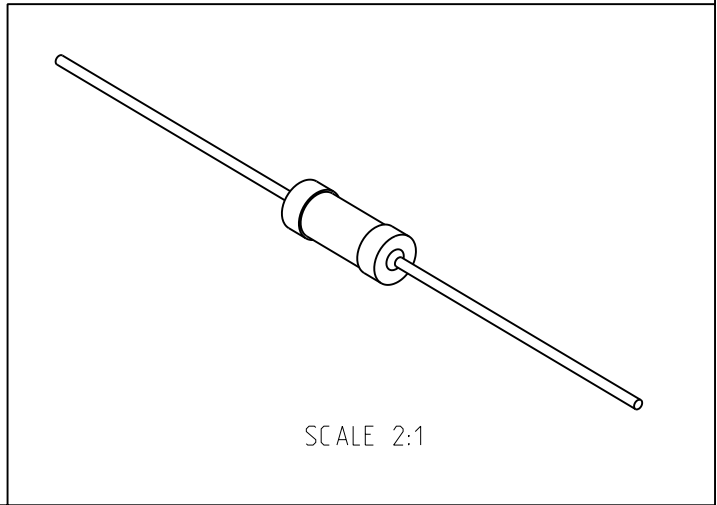


LOC	DIST	REVISIONS					
E	B	P	LTR	DESCRIPTION	DATE	DWN	APVD
			A1	REVISED PER ECO-11-005150	29MAR2011	RK	HMR

FOR FURTHER INFORMATION SEE DATA SHEET FOR CBT SERIES-CARBON COMPOSITION RESISTORS



RoHS Compliant



SCALE 2:1

2008


RELEASED FOR PUBLICATION

THIS DRAWING IS UNPUBLISHED.

ALL RIGHTS RESERVED.

BY -

© COPYRIGHT 2008

DIMENSIONS:	DWN	18-Sep-08	MATERIAL	FINISH		
mm	SUBHASH.M		-	-		
TOLERANCES UNLESS OTHERWISE SPECIFIED:	CHK	18-Sep-08	 TE Connectivity			
0 PLC $\pm 0.2$	PRAKASH.S					
1 PLC $\pm 0.1$	APVD	18-Sep-08	NAME CARBON COMPOSITION RESISTORS SERIES CBT50			
2 PLC $\pm$	STEPHEN.P					
3 PLC $\pm$	PRODUCT SPEC		SIZE	CAGE CODE	DRAWING NO	RESTRICTED TO
4 PLC $\pm$	APPLICATION SPEC		A 4	00779	C-1625876	-
ANGLES $\pm 5^\circ$	WEIGHT		CUSTOMER DRAWING			
			SCALE	SHEET	OF	REV
			4:1	1	1	A1

单击下面可查看定价，库存，交付和生命周期等信息

[>>TE Connectivity\(泰科\)](#)