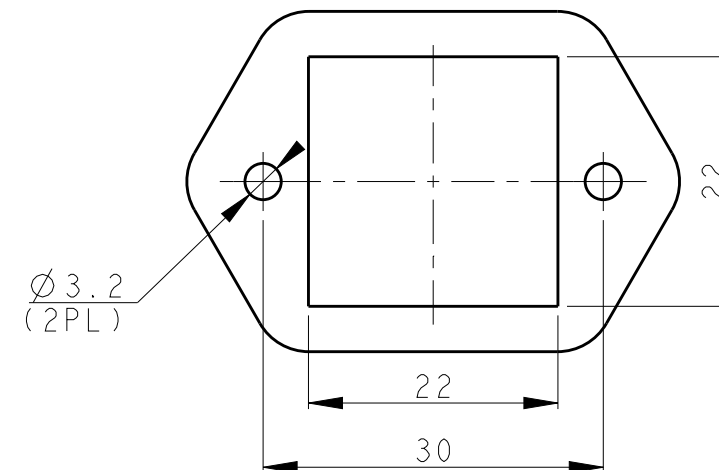
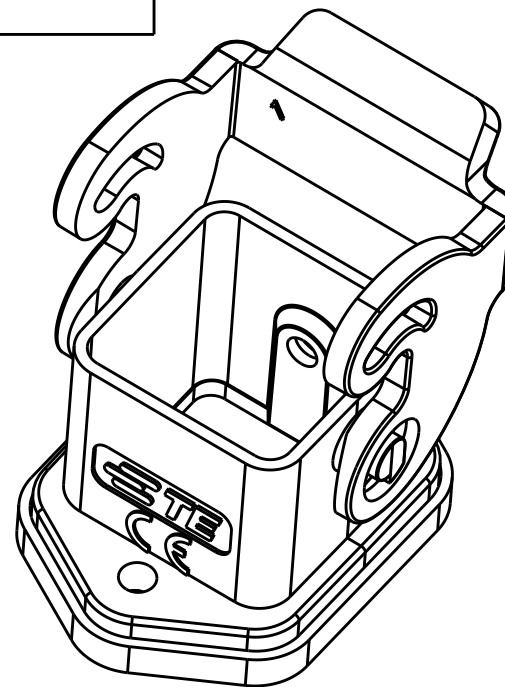
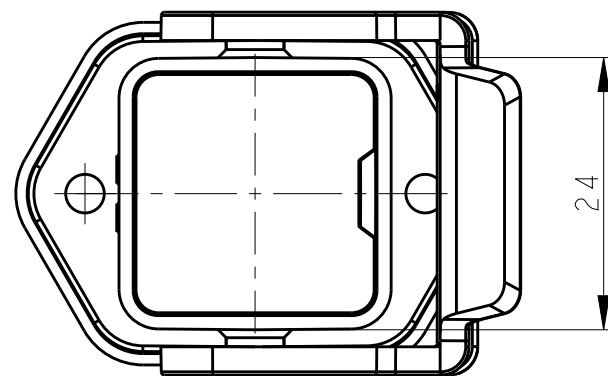


REVISIONS

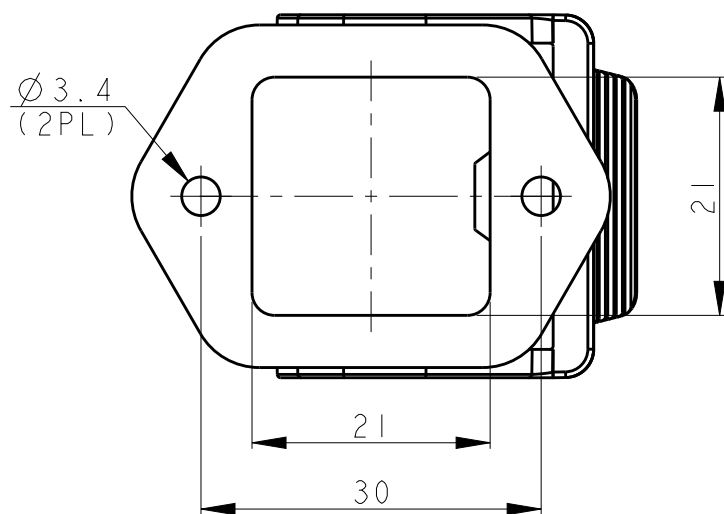
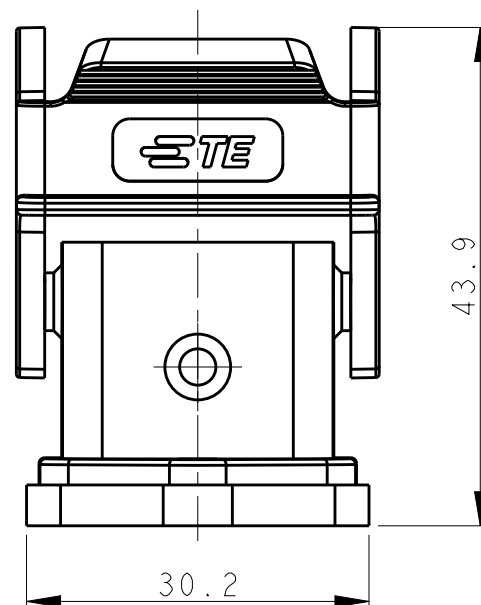
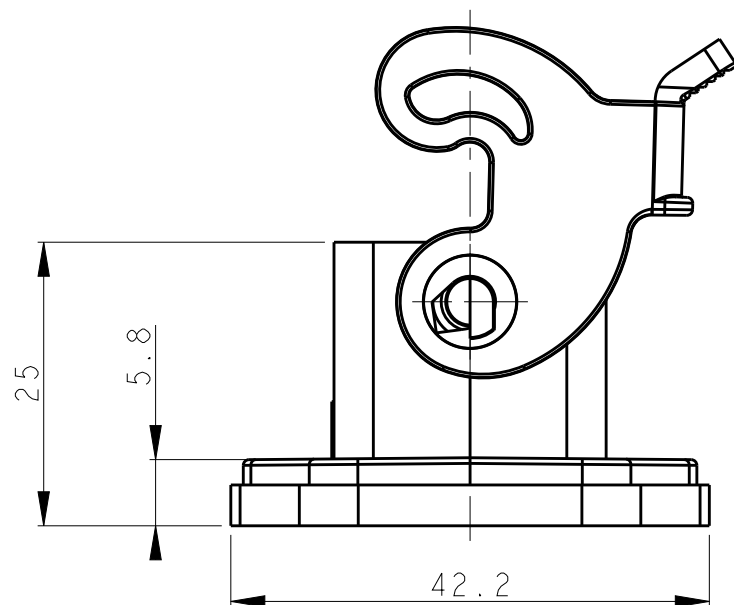
P	LTR	DESCRIPTION	DATE	DWN	APVD
A		INITIAL RELEASE	22APR2015	DL	CW
B		ECR-18-017120	27MAR2019	BS	CW
C		ECR-20-006618	10JUN2020	CD	CW
D		ECR-20-008412	26NOV2020	BS	CW




PANNEL CUT OUT

NOTES:  
 1. TECHNICAL CHARACTERISTICS:  
 BODY MATERIAL: PC  
 DEGREE OF PROTECTION: IP65 (MATED)

注释:  
 1. 技术参数:  
 主体材料: PC  
 防护等级: IP65(配合)



T1509031100-000	H3A-AG	H3APLASTIC HOUSING,BULKHEAD MOUNTED, PLASTIC SINGLE LOCKING,GREY H3A塑料下壳,开孔安装,塑料单扣,灰色
PART NUMBER 料号	PART DESCRIPTION 描述	

THIS DRAWING IS A CONTROLLED DOCUMENT.		DWN 22APR2015 DAVID LI	 TE Connectivity NAME H3A-AG			
DIMENSIONS: mm		CHK 22APR2015 CHRIS WANG				
TOLERANCES UNLESS OTHERWISE SPECIFIED:		APVD 22APR2015 XU XIANG				
0 PLC ±- 1 PLC ±- 2 PLC ±- 3 PLC ±- 4 PLC ±- ANGLES ±-		PRODUCT SPEC 108-137134				
MATERIAL	FINISH	APPLICATION SPEC 114-137134	SIZE A3	CAGE CODE -	DRAWING NO C-T1509031100000	RESTRICTED TO
CUSTOMER DRAWING		WEIGHT -	SCALE 3:2	SHEET 1 OF 1	REV D	

单击下面可查看定价，库存，交付和生命周期等信息

[>>TE Connectivity\(泰科\)](#)