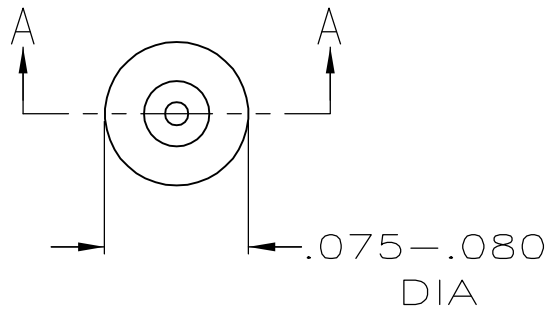
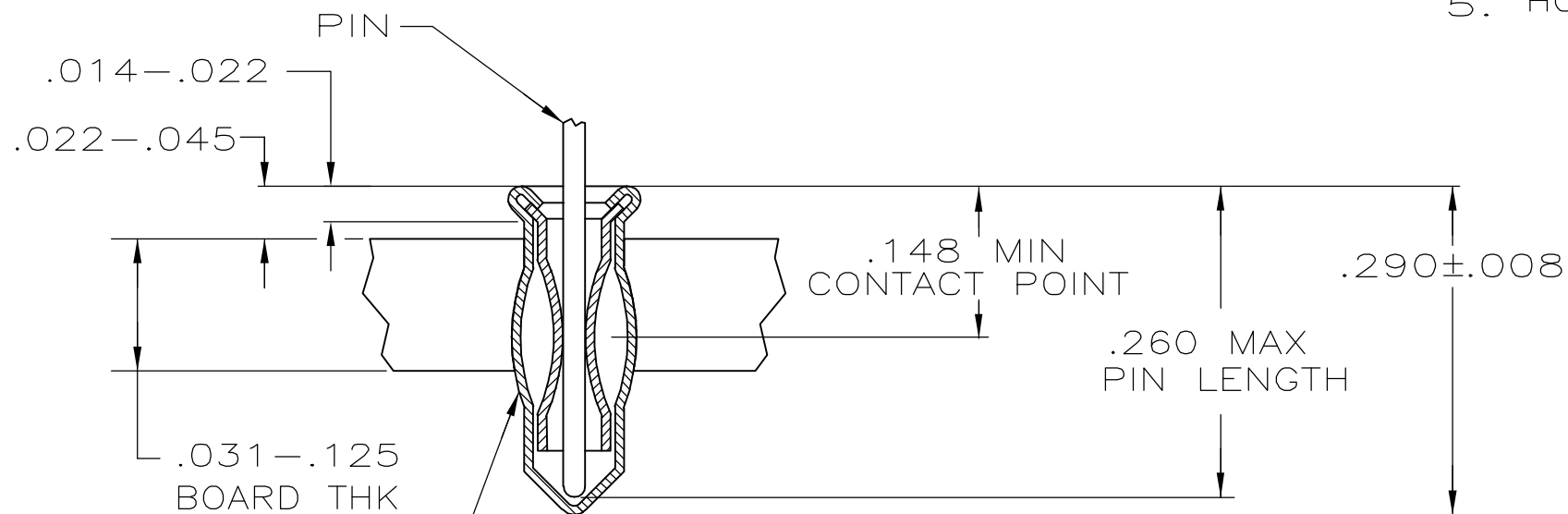


THIS DRAWING IS UNPUBLISHED. RELEASED FOR PUBLICATION
 © COPYRIGHT BY TYCO ELECTRONICS CORPORATION. ALL RIGHTS RESERVED.

LOC	DIST	REVISIONS			
P	LTR	DESCRIPTION	DATE	DWN	APVD
	A	REVISED PER ECO-06-001742	31JAN06	JDP	JGH



- MATERIAL:
 EYELET - COPPER PER ASTM B 152
 SPRING - BERYLLIUM COPPER PER ASTM B 194
- TIN PLATE PER ASTM B 545 .000100 MIN THICK.
- GOLD PLATE PER ASTM B 488 .000030 MIN THICK OVER NICKEL PLATE PER QQ-N-290 ON CONTACT AREA.
- TO INSURE 1/2 OZ MIN RETENTION DO NOT EXCEED .004 DIFFERENCE IN PIN DIA WHEN CHANGING TO A SMALLER DIA PIN
- HOLE SIZE FOR HAND INSERTION .063-.066



MSS INSERTION MACHINE CAPABLE OF OVALIZING SOCKET FOR RETENTION IN PC BOARD WITH .063±.003 DIA HOLE PRIOR TO SOLDERING OPERATION

.148/.260	.028/.033	GOLD $\Delta 3$	TIN $\Delta 2$	5645988-2
		TIN $\Delta 2$		5645988-1
LENGTH	DIA $\Delta 4$	SPRING	EYELET	PART NO
PIN		FINISH		

THIS DRAWING IS A CONTROLLED DOCUMENT.		DWN L. VARELA - DOCKS 19APR05	Tyco Electronics Corporation Harrisburg, PA 17105-3608		
DIMENSIONS: INCHES		CHK J. HAVENER 19APR05	NAME MINIATURE SPRING SOCKET ASSEMBLY		
TOLERANCES UNLESS OTHERWISE SPECIFIED:		APVD J. HAVENER 19APR05	PRODUCT SPEC 108-14008		
0 PLC ± -		APPLICATION SPEC 114-13152		SIZE	RESTRICTED TO
1 PLC ± -		WEIGHT -		CAGE CODE A300779	DRAWING NO C=5645988
2 PLC ± -		CUSTOMER DRAWING		SCALE 10:1	
3 PLC ± -		MATERIAL NOTE 1		SHEET 1 OF 1	REV A
4 PLC ± -		FINISH SEE TABLE			
ANGLES ± -					

单击下面可查看定价，库存，交付和生命周期等信息

[>>TE Connectivity\(泰科\)](#)