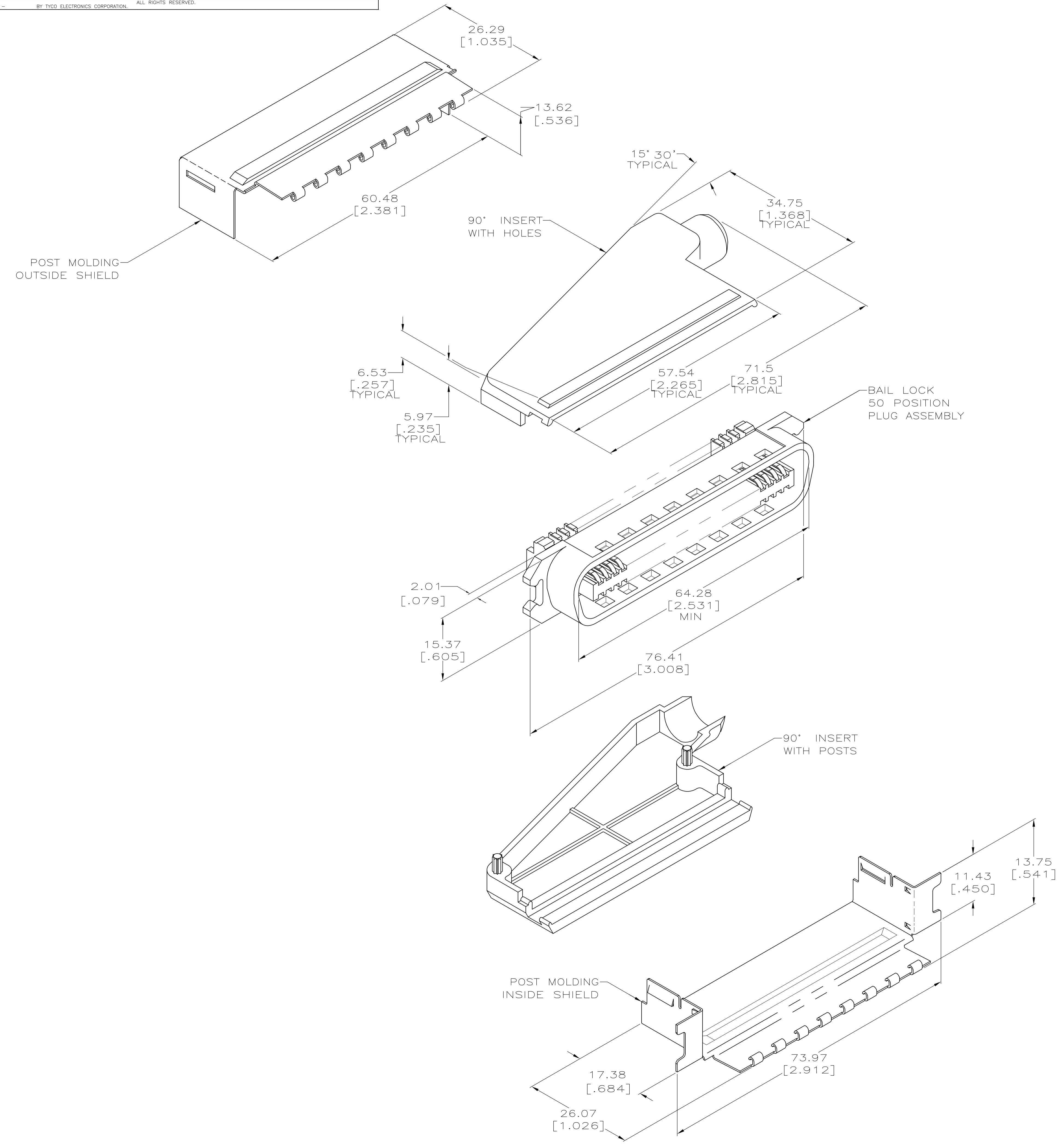


|     |      |                           |         |    |      |
|-----|------|---------------------------|---------|----|------|
| LOC | DIST | REVISIONS                 |         |    |      |
| GP  | 00   | REV                       | DATE    | BY | APPV |
| M   |      | REVISED PER ECO-08-007327 | 02OCT08 | BM | WM   |



- THIS KIT SHIPPED NOT ASSEMBLED.
- ⚠ MATERIAL: INSERT – ABS MOLDING COMPOUND.  
 PLUG HOUSING – POLYPHENYLENE OXIDE, SEE TABLE FOR COLOR.  
 TERMINAL – HIGH STRENGTH COPPER ALLOY PLATED WITH 0.76μm [.000030] MIN GOLD OR GOLD FLASH OVER PALLADIUM NICKEL PLATE, 0.76μm [.000030] MIN TOTAL ON MATING SURFACE. 1.27μm [.000050] MIN NICKEL UNDERPLATE OVER ENTIRE TERMINAL.

SHIELDS – BRIGHT NICKEL PLATED CARBON STEEL.
- ⚠ WIRE SIZE: 24 OR 26 AWG SOLID OR 24 AWG 7 STRANDED COPPER CONDUCTORS. MAXIMUM INSULATION DIAMETER OF 1.14[.045] IS ACCEPTABLE FOR MOST APPLICATIONS.
- CENTER-TO-CENTER SPACING OF TERMINALS IS 2.16 [.085] NOMINAL.
- BULK PACKAGED 500 KITS PER CONTAINER.
- DIMENSIONS ARE MAXIMUM UNLESS OTHERWISE SPECIFIED.
- ⚠ WIRE SIZE: 26, 27 OR 28 AWG 7 STRANDED COPPER CONDUCTORS. MAXIMUM INSULATION DIAMETER OF 1.14[.045] IS ACCEPTABLE FOR MOST APPLICATIONS.

|          |               |      |           |          |             |
|----------|---------------|------|-----------|----------|-------------|
| OBSOLETE | BLACK         | E    | ⚠         | ⚠        | 5-555012-3  |
|          | GRAY          | E    | ⚠         | ⚠        | 5-555012-2  |
|          |               | B    | ⚠         | ⚠        | 5-555012-1  |
|          | HOUSING COLOR | SLOT | WIRE SIZE | PACKAGED | PART NUMBER |

|  |  |                  |          |                              |  |
|--|--|------------------|----------|------------------------------|--|
| THIS DRAWING IS A CONTROLLED DOCUMENT. |  | DIN              | 7-21-95  | Tyco Electronics Corporation |  |
|  |  | DL               | DRUMMOND | Harrisburg, PA 17105-3608    |  |
|  |  | CHK              | 8-11-95  |                              |  |
|  |  | D                | AHERON   |                              |  |
|  |  | APPD             | 8-11-95  |                              |  |
|  |  | M                | HUGHES   |                              |  |
|  |  | NAME             |          |                              |  |
|  |  | PRODUCT SPEC     |          |                              |  |
|  |  | APPLICATION SPEC |          |                              |  |
|  |  | SIZE             |          |                              |  |
|  |  | CAGE CODE        |          |                              |  |
|  |  | DRAWING NO       |          |                              |  |
|  |  | RESTRICTED TO    |          |                              |  |
|  |  | WEIGHT           |          |                              |  |
|  |  | A1               | 00779    | C=555012                     |  |
|  |  | CUSTOMER DRAWING |          |                              |  |
|  |  | SCALE            | 2:1      |                              |  |
|  |  | SHEET            | 1        | OF 1                         |  |
|  |  | REV              | M        |                              |  |

单击下面可查看定价，库存，交付和生命周期等信息

[>>TE Connectivity\(泰科\)](#)