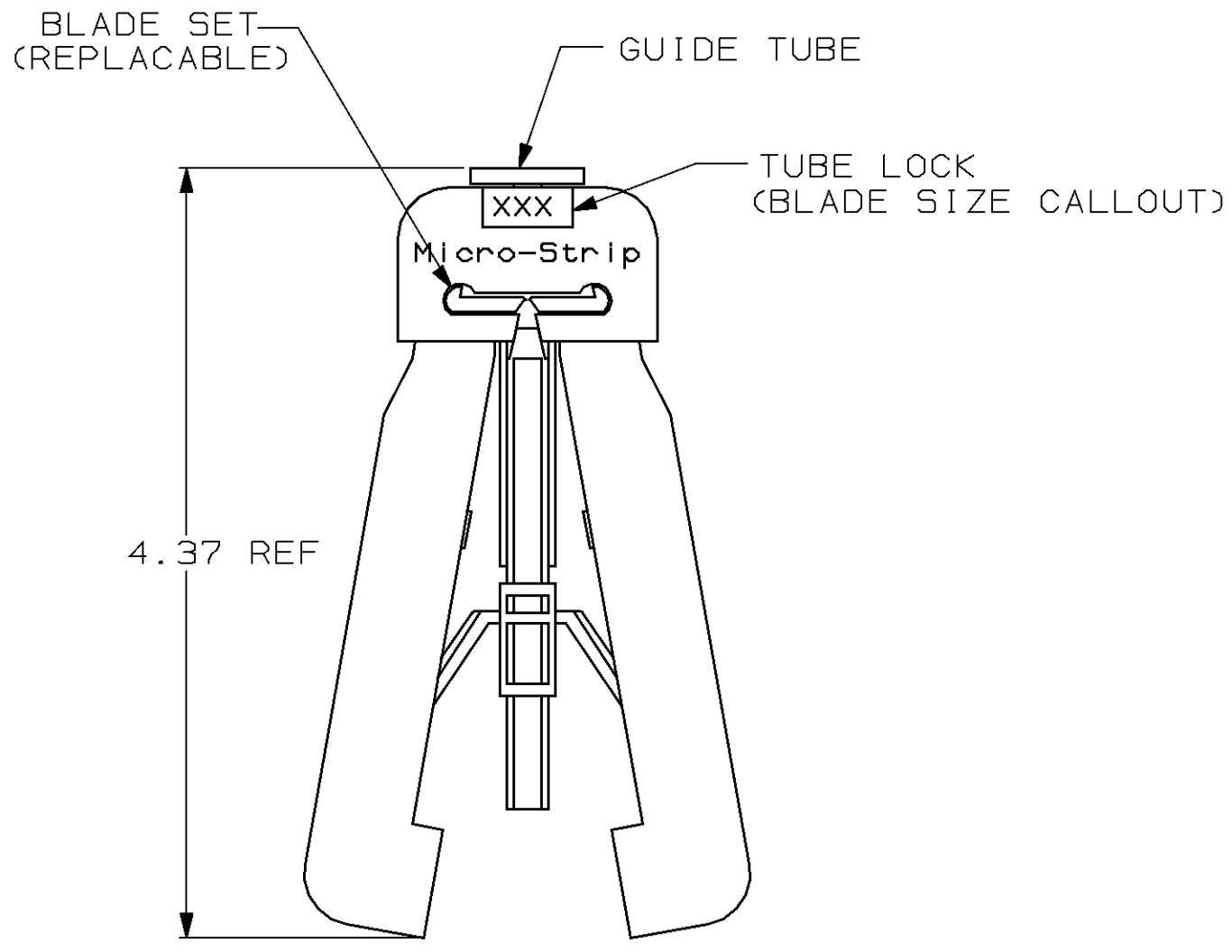


THIS DRAWING IS UNPUBLISHED. RELEASED FOR PUBLICATION, 19 .
 © COPYRIGHT 19 BY AMP INCORPORATED. ALL RIGHTS RESERVED.

LOC	DIST	REVISIONS			
P	LTR	DESCRIPTION	DATE	DWN	APVD
CE	16	0	REL PER NPR 96-246	9-10-96	DDE JM

- 1. INCLUDES PUSHOUT TOOL, CLEANING BRUSH AND OPERATION INSTRUCTIONS.
- △2 BLADE SET COLOR: PURPLE
- △3 BLADE SET COLOR: RED



QTY	DESCRIPTION	PART NO
1	STRIPPER W/.008 BLADES	△3 492109-2
1	STRIPPER W/.006 BLADES	△2 492109-1

THIS DRAWING IS A CONTROLLED DOCUMENT.		DWN D ERDMAN 9-10-96	AMP AMP Incorporated Harrisburg, PA 17105-3608
		CHK J MARSHALL 9-10-96	
		APVD B EDWARDS 9-10-96	NAME
		PRODUCT SPEC	STRIPPER, MICRO-STRIP
		APPLICATION SPEC	
		WEIGHT	
		CUSTOMER DRAWING	
		SIZE A3	CAGE CODE 00779
		DRAWING NO C-492109	
		SCALE 1:1	SHEET 1 OF 1
		REV 0	

单击下面可查看定价，库存，交付和生命周期等信息

[>>TE Connectivity\(泰科\)](#)