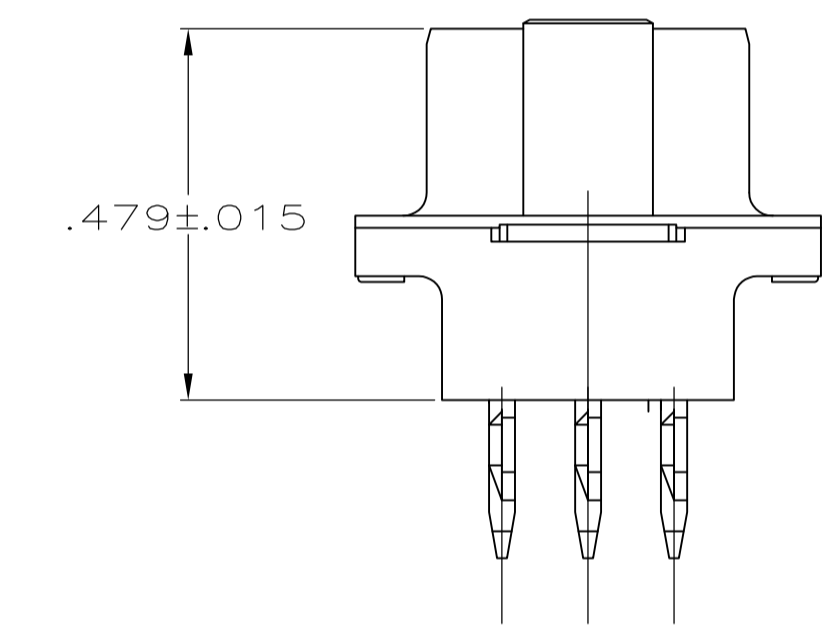
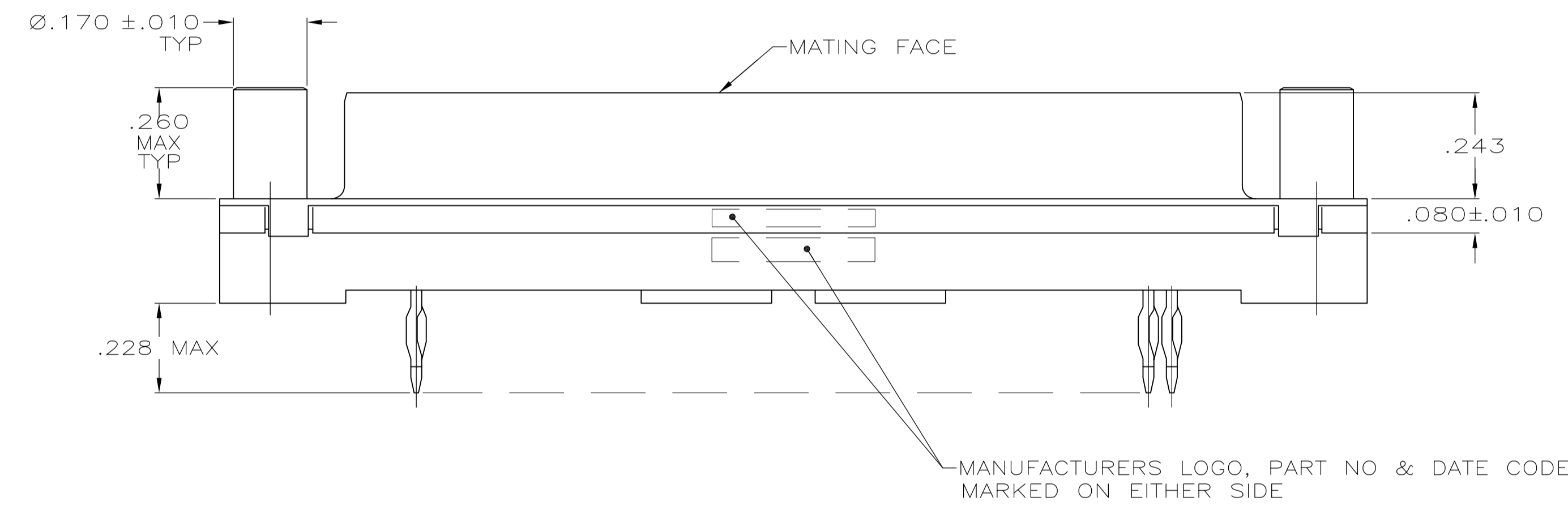
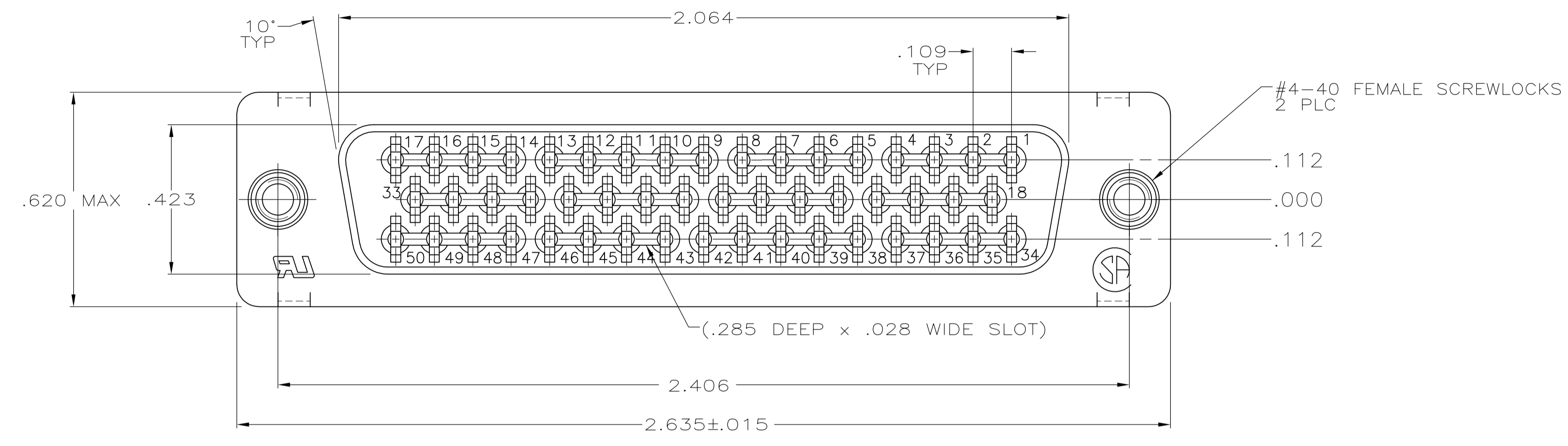


LOC		DIST		REVISIONS			
P	LTR	DESCRIPTION	DATE	DN	APVD		
C		REVISED PER ECO-12-000090	26JAN2012	CJV	SLB		



- 1 FOR USE WITH .093 MINIMUM THICK PRINTED CIRCUIT BOARD. REFER TO APPLICATION SPECIFICATION FOR PRINTED CIRCUIT BOARD LAYOUT DIMENSIONS AND FINISH RECOMMENDATIONS.
- 2 SHELL: .0002 MIN TIN OVER .000100 MIN COPPER  
SCREWLOCKS: CLEAR CHROMATE
- 3 HOUSING: FLAME RETARDANT, UL 94V-0, RATED THERMOPLASTIC; COLOR: BLACK  
CONTACTS: COPPER ALLOY  
SHELL: CARBON STEEL  
SCREWLOCKS: ZINC ALLOY
- 4 CONTACTS:  
0.76 MICRO METERS [.000030] MINIMUM GOLD IN MATING AREA.  
2.54 MICRO METERS [.000100] MINIMUM TIN ON COMPLIANT PIN.  
ALL OVER 1.27 MICRO METERS [.000050] MINIMUM NICKEL.  
OR  
GOLD FLASH OVER PALLADIUM NICKEL.  
0.76 MICRO METERS [.000030] MINIMUM TOTAL IN MATING AREA.  
2.54 MICRO METERS [.000100] MINIMUM TIN ON COMPLIANT PIN.  
ALL OVER 1.27 MICRO METERS [.000050] MINIMUM NICKEL.

5747145-2  
PART NO

**COPYRIGHT 2005  
TYCO ELECTRONICS CORP  
ALL RIGHTS RESERVED**

THIS DRAWING IS A CONTROLLED DOCUMENT. DIMENSIONING AND TOLERANCING PER ASME Y14.5M-2009		DIN A. FERNANDEZ-DOCKS 03-31-05	03-31-05	TE Connectivity	
DIMENSIONS: INCHES		CHK S. BOLASH 03-31-05	03-31-05	NAME RCPT ASSY, SIZE 5, 50 POSN, AMPLIMITE HD-20, MDM PROFILE, W/ ACTION PIN CONT & METAL SHELL.	
TOLERANCES UNLESS OTHERWISE SPECIFIED:		APVD M. WALMSLEY 03-31-05	03-31-05	PRODUCT SPEC 108-40014	
0 PLC ± -				APPLICATION SPEC 114-40026	
1 PLC ± -				SIZE A1	
2 PLC ± -				CAGE CODE 00779	
3 PLC ± .005				DRAWING NO 5747145	
4 PLC ± -				RESTRICTED TO	
ANGLES ± °				CUSTOMER DRAWING	
MATERIAL				SCALE 4:1	
FINISH				SHEET 1 OF 1	
				REV C	

单击下面可查看定价，库存，交付和生命周期等信息

[>>TE Connectivity\(泰科\)](#)

[>>点击查看相关商品](#)