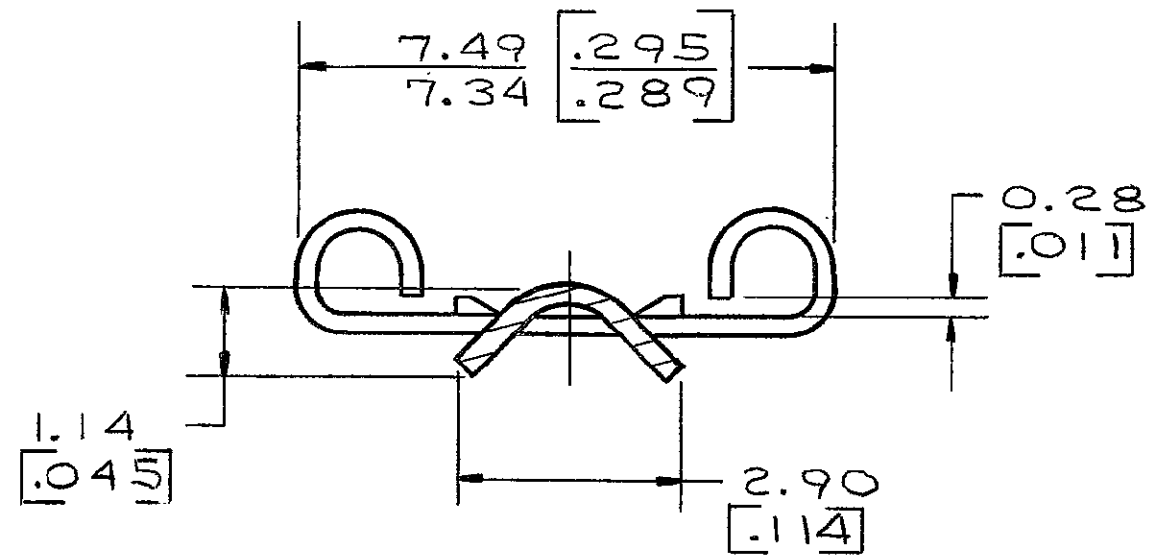
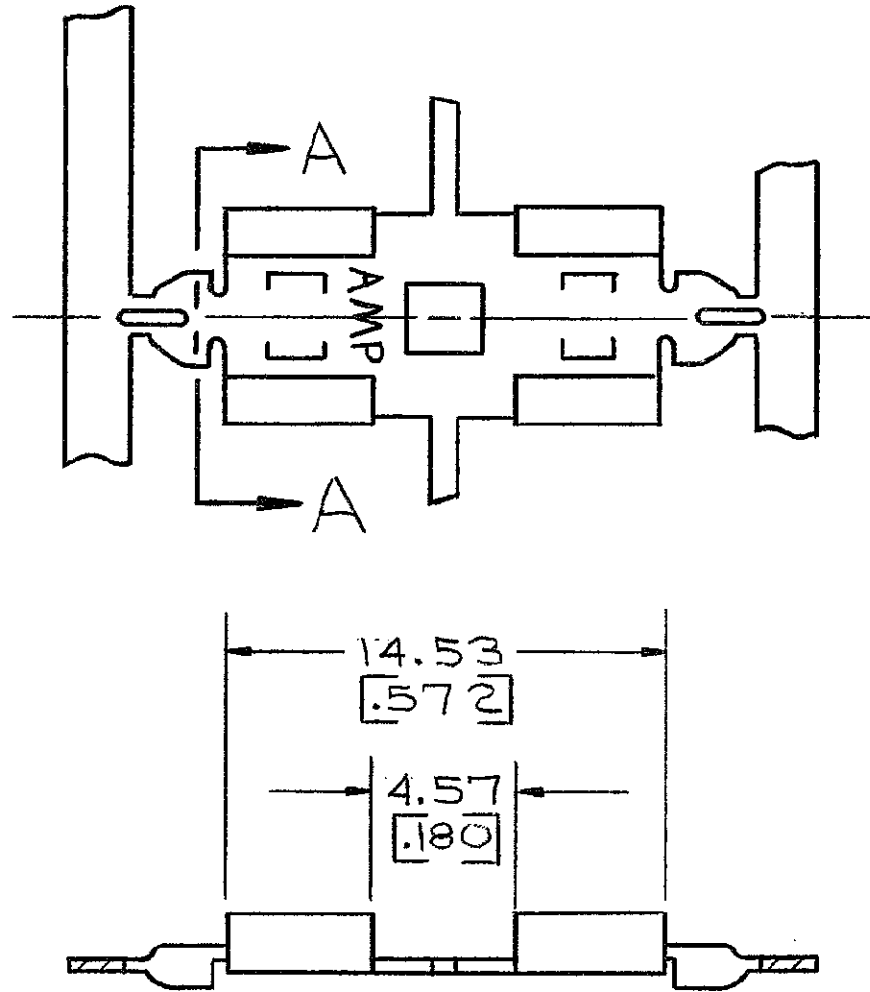


REVISIONS						
P	F	ZONE	LTR	DESCRIPTION	DATE	APPROVED
			D1	REVISED PER ECO-11-005294	11APR11	HMR



SECTION A-A
SCALE 10-1

1. DIMENSIONS IN BRACKETS ARE IN INCHES.
2. CONTINUOUS STRIP ON REELS.
3. TO BE MOUNTED IN 2.54 ± 0.05 $.100 \pm .002$ DIA HOLE.

METRIC

		NONE	62751-2
62806-1		TIN OVER Cu	62751-1
LOOSE PIECE NUMBER		FINISH	PART NO
UNLESS OTHERWISE SPECIFIED DIMENSIONS ARE IN INCHES MILLIMETERS		TE Connectivity	
TOLERANCES ON: DECIMALS ± 0.38 [.015] ANGLES \pm			
MATERIAL 0.25 [.010] BRASS	CONTRACT NO DR W.S.DAVIS 2-23-78 CHK G YETTER 2-23-78	NAME P.C.B. RECEPTACLE (.250x.016 SPADE)	
FINISH SEE TABLE	APPD <i>[Signature]</i> 2-23-78 APPD DSGN APPD OTHER APPD	SIZE B	CODE IDENT NO 00779
		DRAWING NO 62751	
		SCALE	SHEET

单击下面可查看定价，库存，交付和生命周期等信息

[>>TE Connectivity\(泰科\)](#)