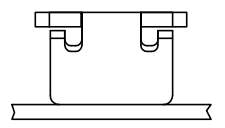
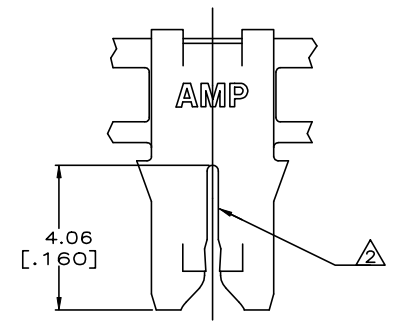
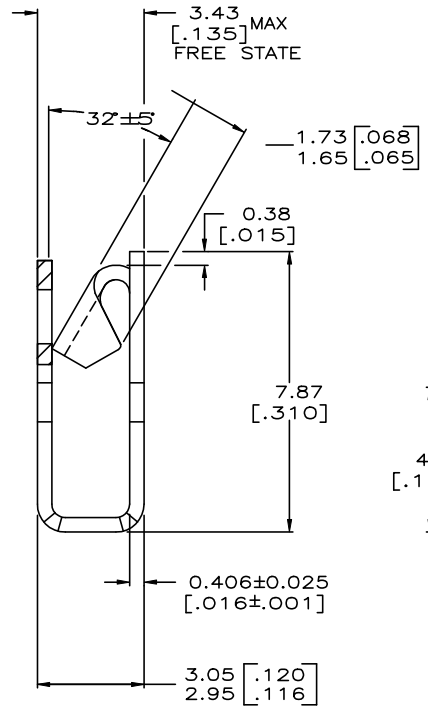
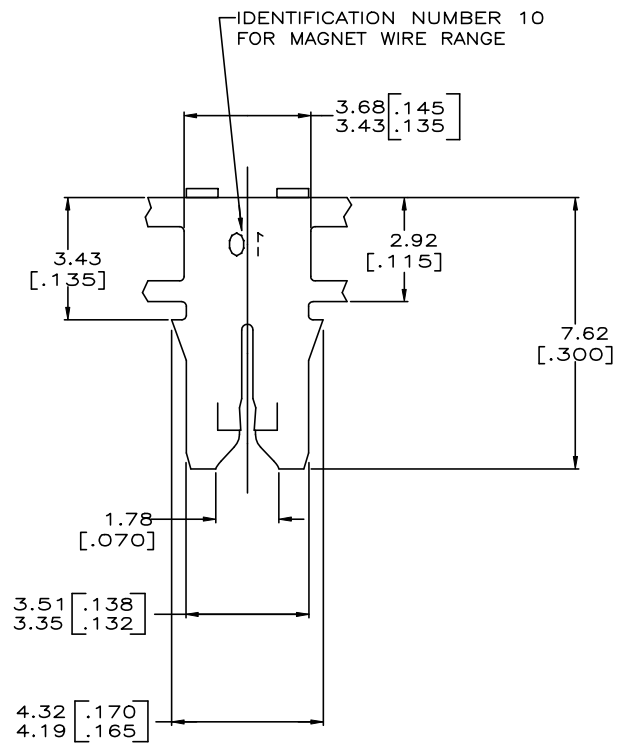


LOC	DIST	P	F	ZONE	LTR	DESCRIPTION	DATE	APPD
AF	50					C1 REVISED PER ECR-19-014370	27SEP2019	JA-PKS



- 1 CONTINUOUS STRIP ON REELS WITH TERMINALS LOCATED ON 5.59±0.08 [.220±.003] CENTERS. SLOT ACCEPTS 0.36-0.57mm [#27-#23] AWG COPPER MAGNET WIRE. SINGLE OR DOUBLE WIRE OF THE SAME SIZE AND TYPE. ALUMINIUM RANGE IS 0.51-0.64 mm [#24-#22] AWG. ALUMINIUM WIRE RANGE APPLIES FOR POST TIN PLATED PARTS ONLY.
- 2 REELED ON PLASTIC REELS WITHOUT PAPER.



DO NOT SCALE PRINT. UNLESS SPECIFIED		DR 10/22/93 MICHAEL S. FEHER		SPLICE FREE		3		63754-1	
DIMENSIONS IN mm [INCHES]		CHK 10/25/93 JEFF R. RUTH		SPLICE		REELING		PART NO	
TOLERANCES ON :		APPD 10/26/93 NELSON E. NEFF		TE Connectivity NAME TERMINAL, POKE-IN, 300 SERIES MAG-MATE™					
2 PLC DEC ± 0.25 [.010]		APPD 10/26/93 TERRY L. SHUTTER							
3 PLC DEC ± -		PRODUCT SPEC							
ANGLES ± -		108-2012		APPLICATION SPEC		SIZE		CAGE CODE	
MATERIAL		114-2046		WEIGHT		SCALE		DRAWING NO	
4M BRASS		-		10:1		00779		C=63754	
FINISH		0.002032 [.000080]		MIN TIN PLATE		SCALE		SHEET	
						10:1		10F 1	

THIS DRAWING IS A CONTROLLED DOCUMENT FOR AMP INCORPORATED. IT IS SUBJECT TO CHANGE AND THE CONTROLLING ENGINEERING ORGANIZATION SHOULD BE CONTACTED FOR THE LATEST REVISION.

单击下面可查看定价，库存，交付和生命周期等信息

[>>TE Connectivity\(泰科\)](#)