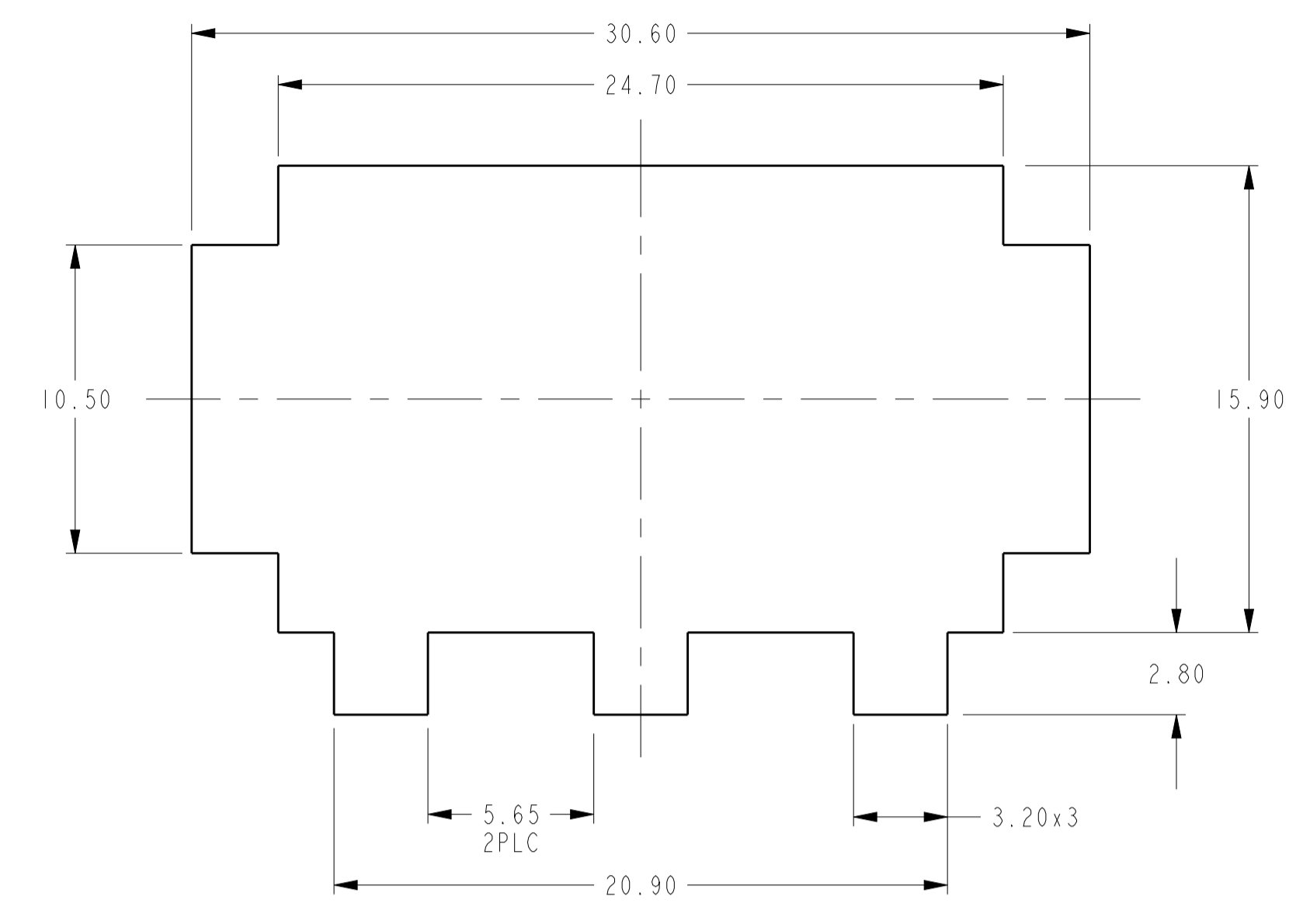
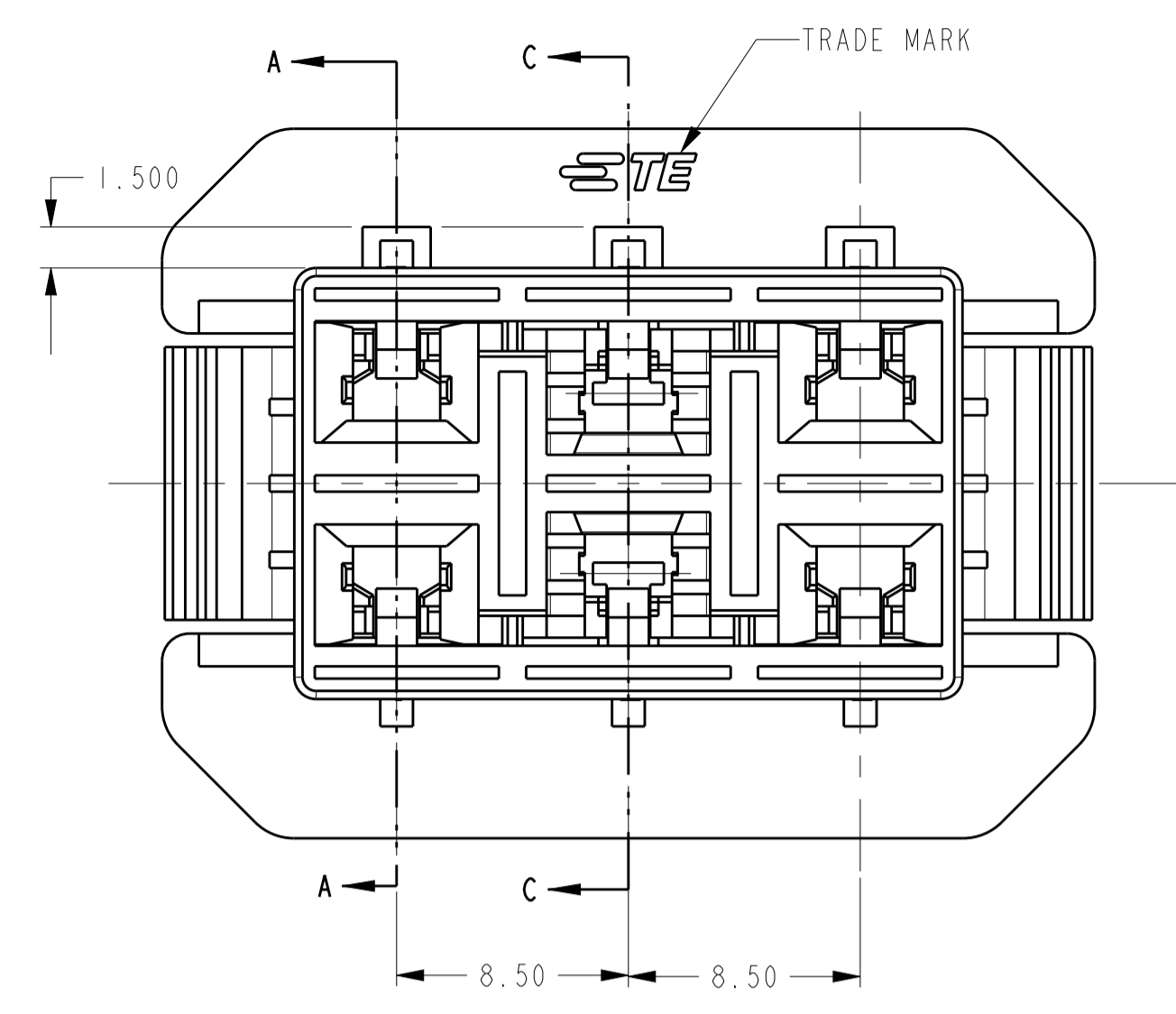
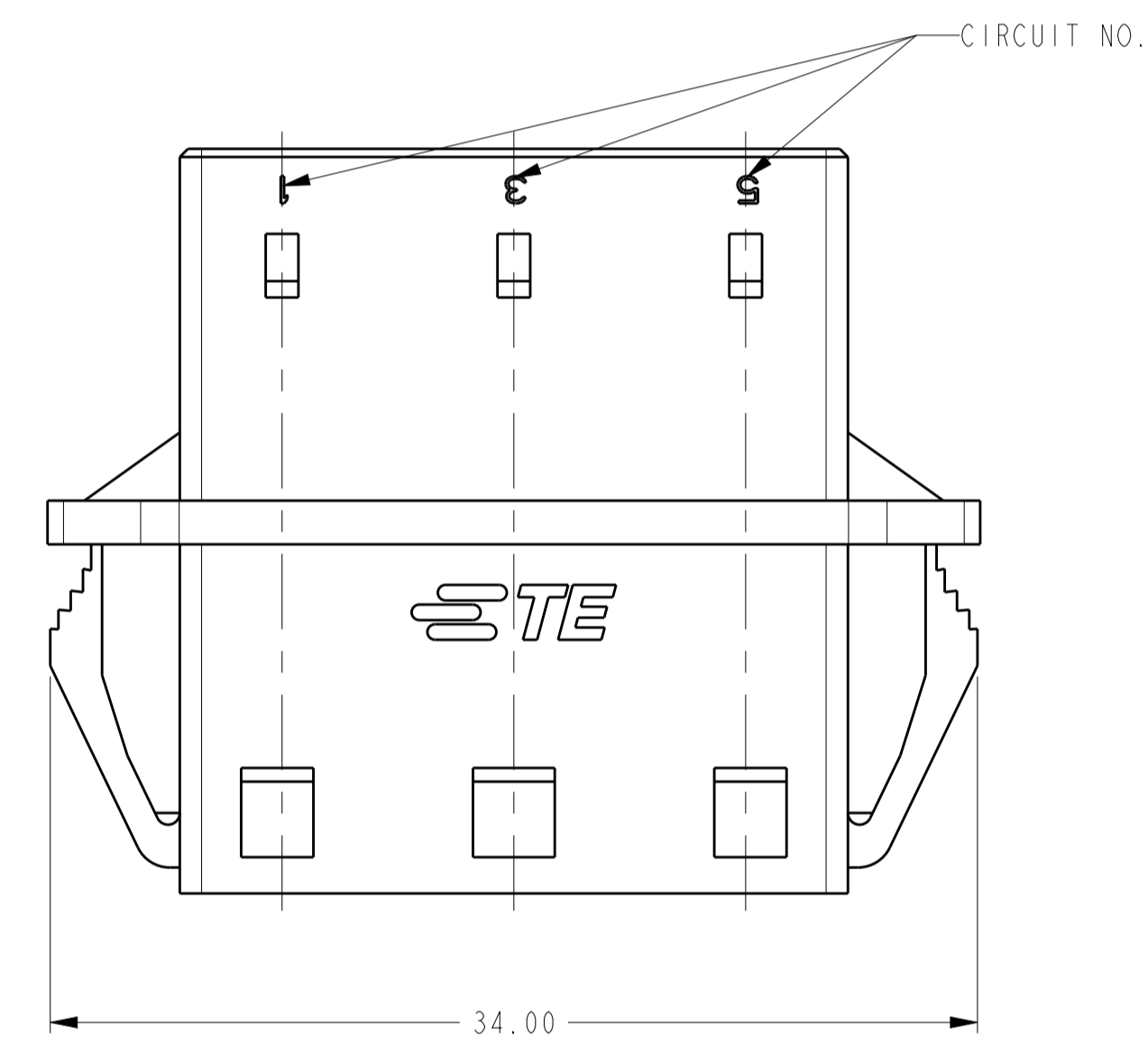
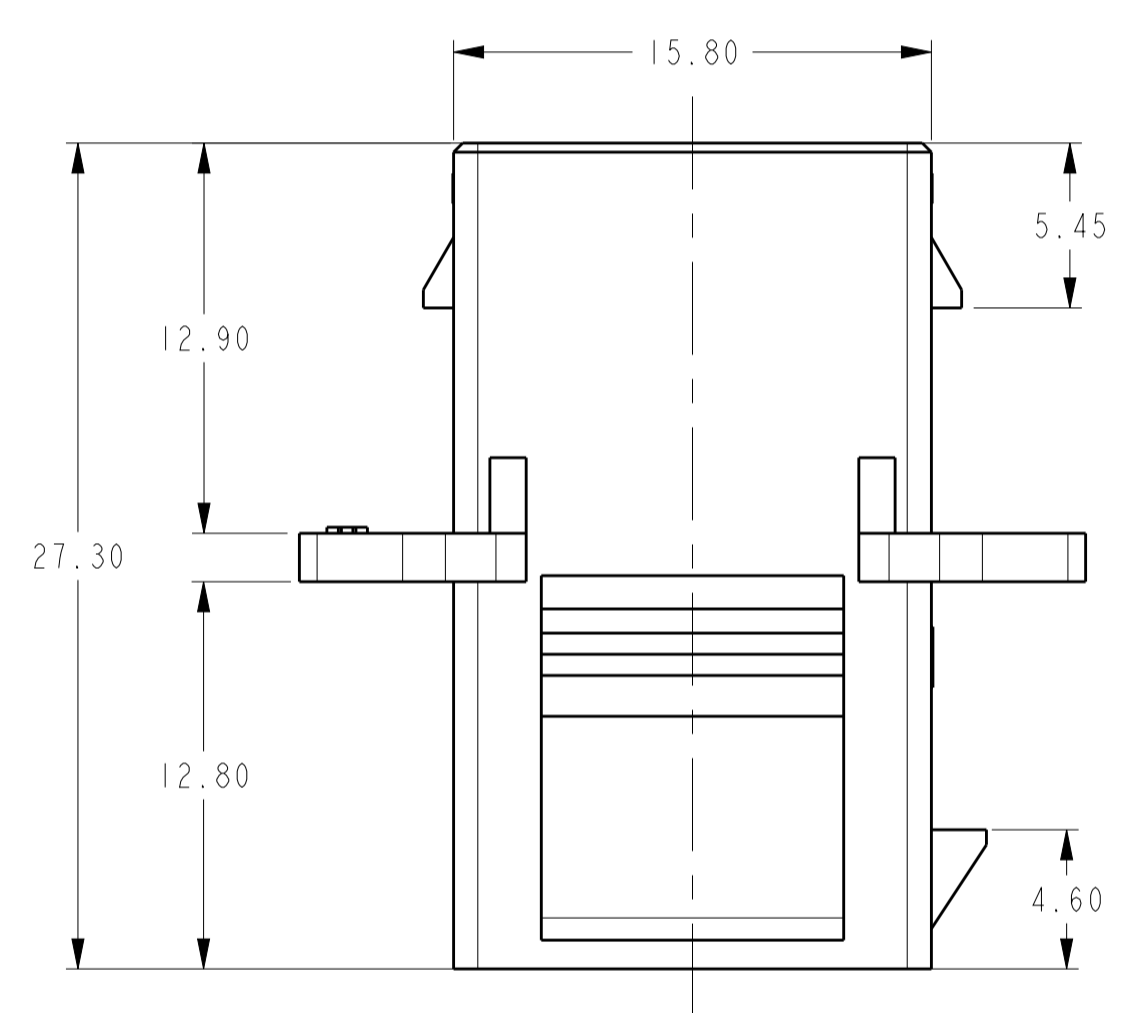


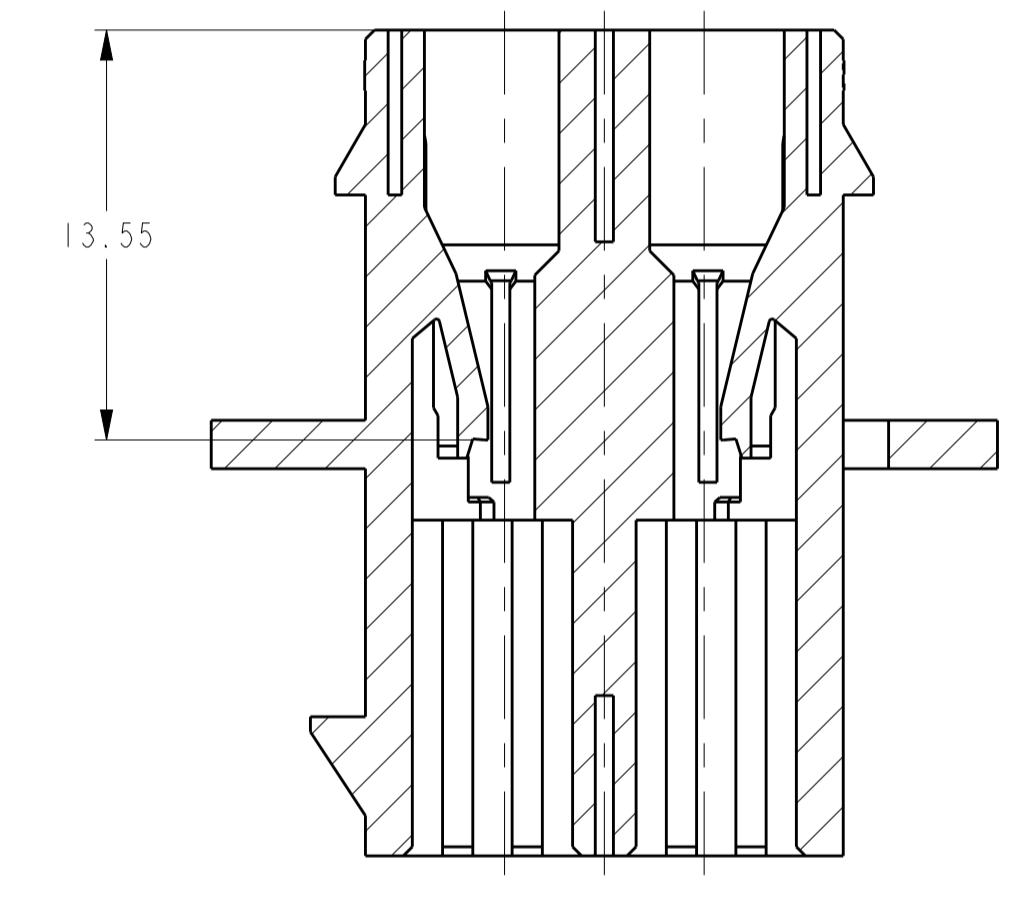
| REVISONS | | DATE | DWN | APVD |
|----------|-----------------------------------|-----------|------|-------|
| A | RELEASED | 17AUG2011 | R. C | E. K |
| A1 | ADD "GWT REQUIREMENTS" IN NOTE 7. | 11OCT2012 | DZ | YH. M |
| A2 | REVISED PER ECR-17-012469 | 25AUG2017 | N. L | D. Z |
| B | REVISED PER ECR-19-015245 | 01OCT2019 | M. G | D. Z |



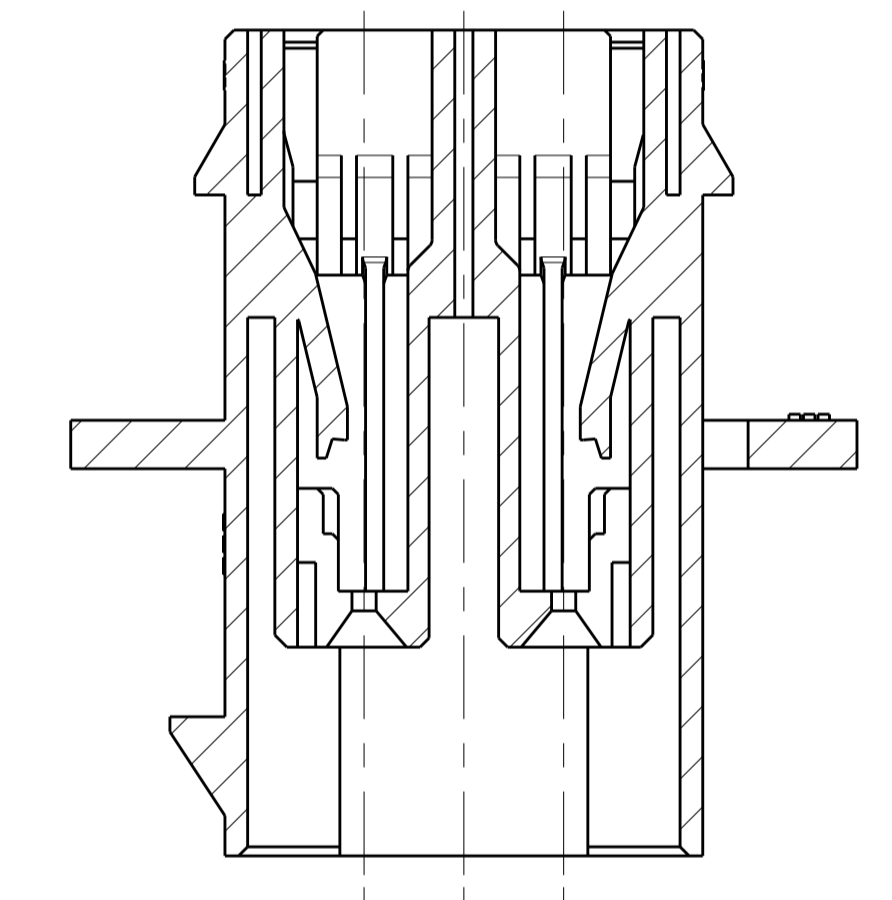
RECOMMENDED PANEL OPENING DIMENSIONS
 (TOLERANCE: ±0.05mm)



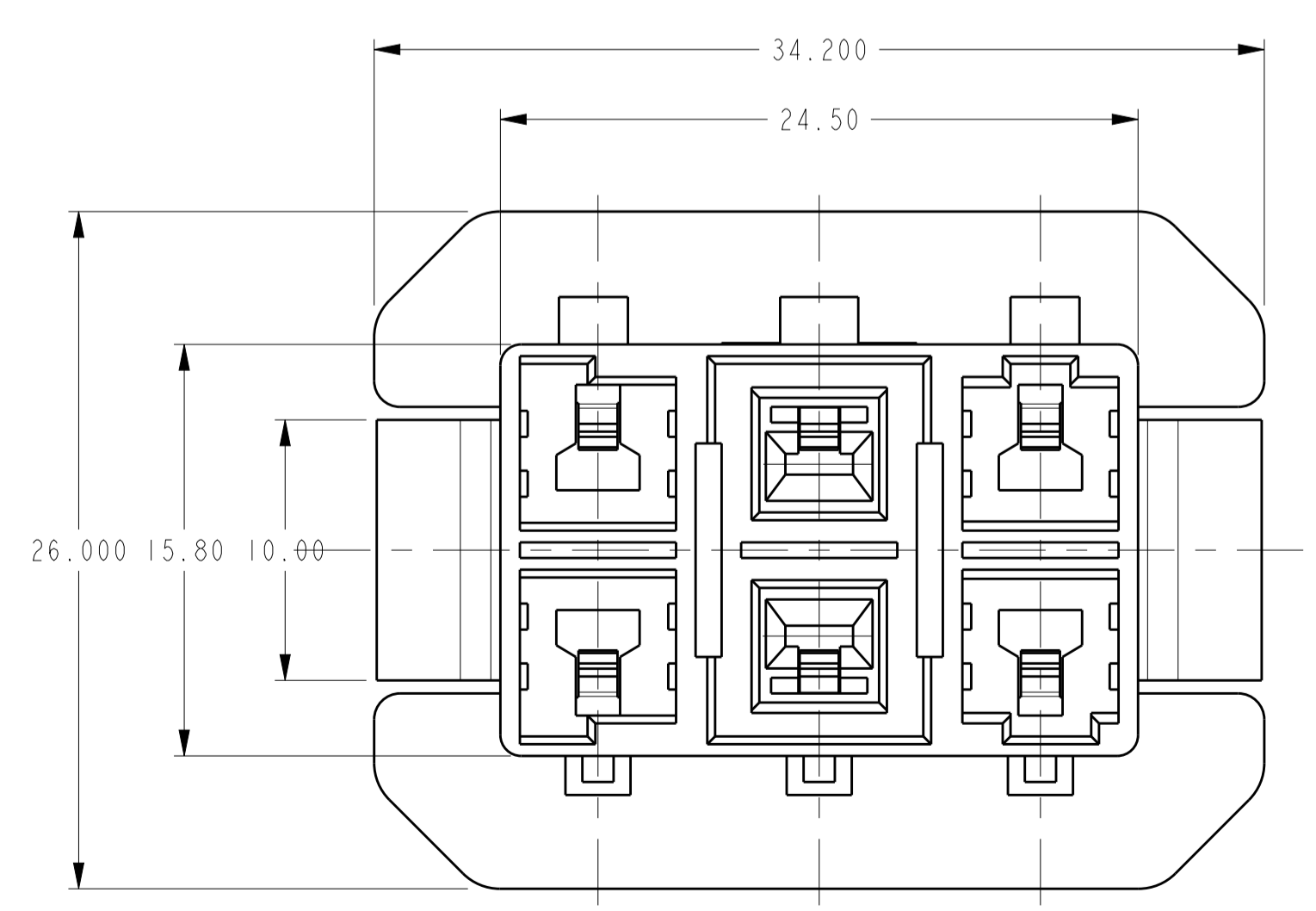
CONN. INSERTION DIRECTION FOR PANEL



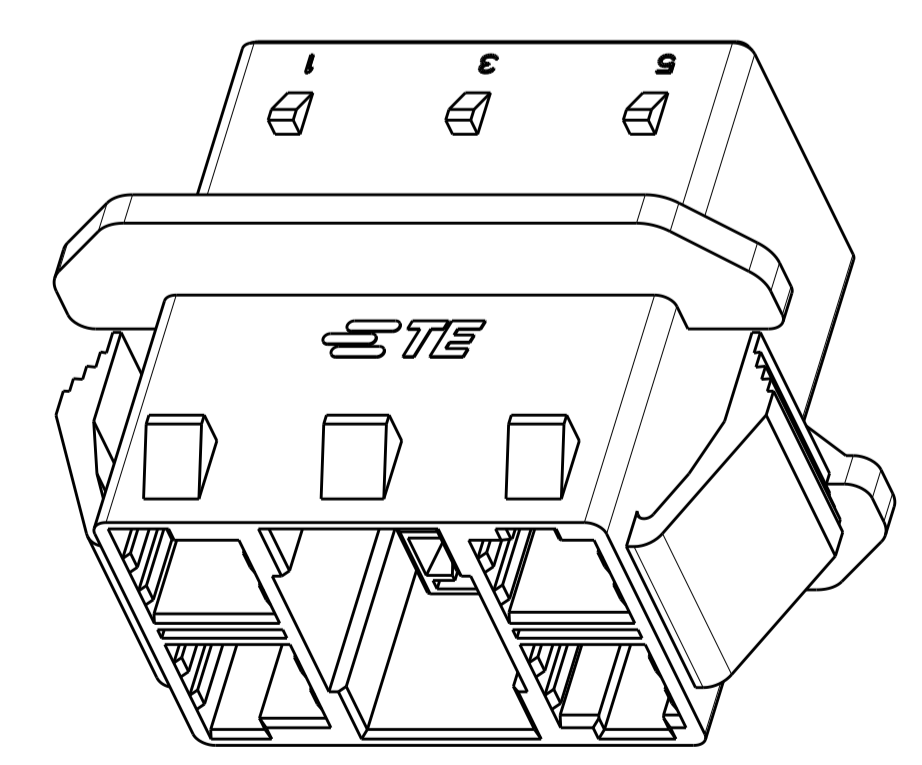
SECTION A-A



SECTION C-C



- NOTE**
- MATERIAL: THERMOPLASTIC, UL94 V-0, COLOR: NATURAL
 - PRODUCT SPEC: 108-106071
 - APPLICABLE CONTACT P/N:
 TAB CONTACT: 1983661/2-1 FOR CIRCUIT NO. 1, 2, 5, 6.
 REC CONTACT: 1983663/4-1 FOR CIRCUIT NO. 3, 4
 - MATING CONN. P/N:
 HSG: 1983660-1(2P), 1983659-1(4P)
 - APPLICABLE DOUBLE LOCK PLATE P/N: 1983667-1
 - APPLICABLE PANEL THICKNESS: 1.2mm
 - PRODUCT COMPLY WITH GLOW WIRE REQUIREMENTS FOR PARTS OF NON-METALLIC MATERIAL SUPPORTING A CURRENT-CARRYING CONNECTION DETAILED IN IEC 60335-1, SECTION 30 (GWT).



| | | | | |
|--|-------|-----------------------------|------------------------------|--|
| THIS DRAWING IS A CONTROLLED DOCUMENT. | | DWN: RICHARD CHEN 19AUG2011 | PART NUMBER 1983658-1 | |
| DIMENSIONS: mm | | CHK: HAPYE WU 19AUG2011 | STE TE Connectivity | |
| TOLERANCES UNLESS OTHERWISE SPECIFIED: | | APVD: ERIC KONG 19AUG2011 | NAME | |
| 0 PLC | ± | PRODUCT SPEC | MULTI 6P CONNECTOR | |
| 1 PLC | ±0.30 | 108-106071 | SIZE CAGE CODE DRAWING NO | |
| 2 PLC | ± | APPLICATION SPEC | RESTRICTED TO | |
| 3 PLC | ± | 114-106071 | A1 00779 C=1983658 | |
| 4 PLC | ± | WEIGHT | SCALE 4:1 SHEET 1 OF 1 REV B | |
| ANGLES | ±2° | CUSTOMER DRAWING | | |

单击下面可查看定价，库存，交付和生命周期等信息

[>>TE Connectivity\(泰科\)](#)