

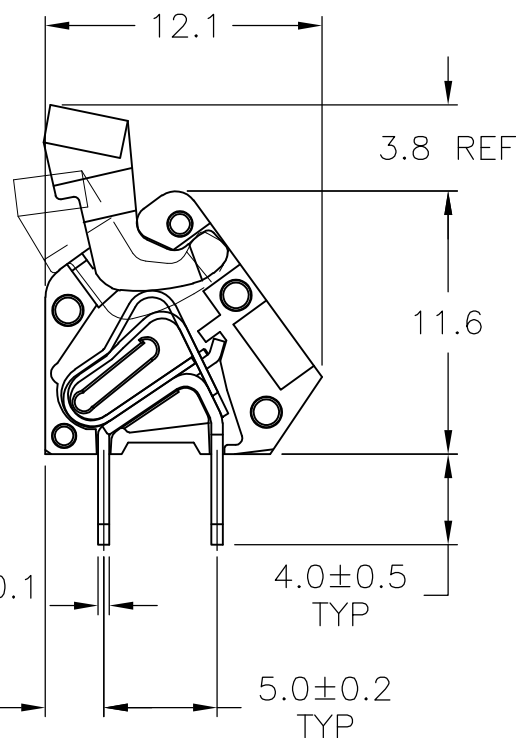
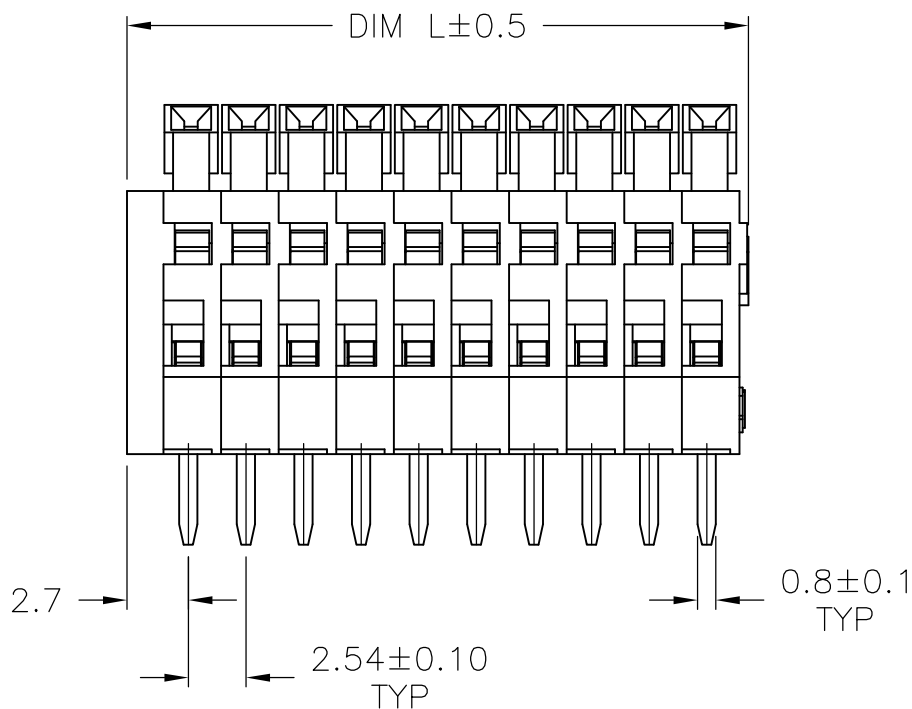
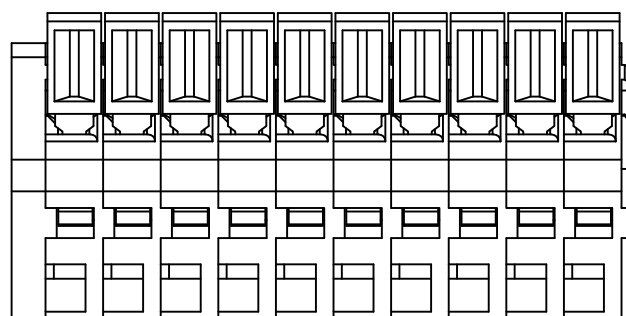
THIS DRAWING IS UNPUBLISHED. RELEASED FOR PUBLICATION
 © COPYRIGHT BY TYCO ELECTRONICS CORPORATION. ALL RIGHTS RESERVED.

LOC	DIST	REVISIONS					
FT	0	P	LTR	DESCRIPTION	DATE	DWN	APVD
		2		REVISED PER ECO-029853	12/17/07	SS	CR

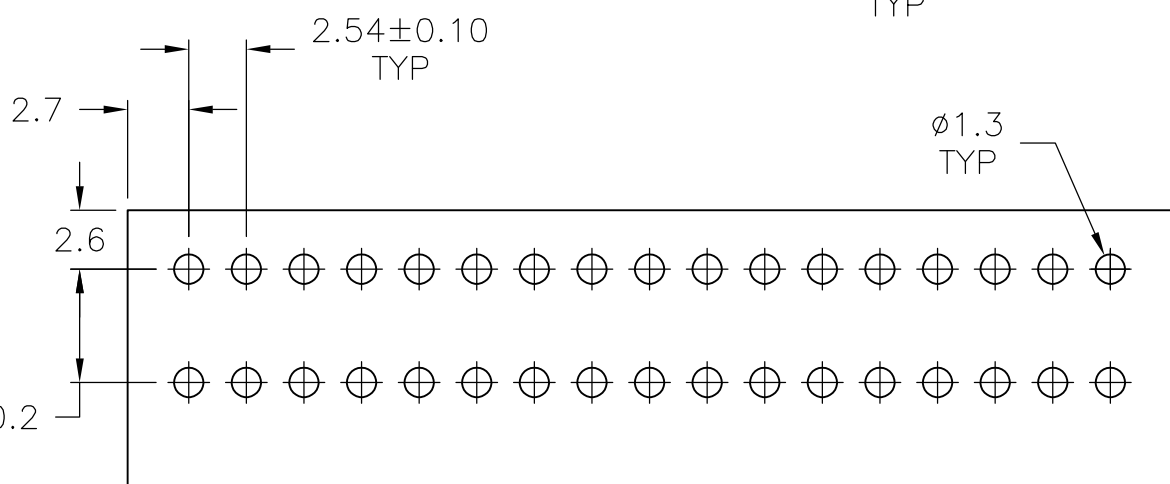
PHYSICAL:
 HOUSING: POLYAMIDE 66, GLASS FILLED, UL94V-0, GRAY.
 TERMINAL: BRASS, TIN PLATED.
 SPRING: STAINLESS STEEL.

ELECTRICAL:
 CURRENT RATING: 4A
 VOLTAGE RATING: 150VAC
 WIRE RANGE: 20-28 AWG
 INSULATION RESISTANCE: >2000Mohm DC500V.
 INSULATION WITHSTANDING: AC1500V MIN.

MECHANICAL:
 OPERATING TEMPERATURE: -40°C TO +105°C



THIS PRINT IS
PRELIMINARY
 PRIOR TO CUSTOMER ORDER
 CONTACT PRODUCT ENGINEERING
 BEFORE USING THIS PRINT



RECOMMENDED PCB LAYOUT

44.68	17	1-1986220-7
42.14	16	1-1986220-6
DIM L	POSN	PART NUMBER

THIS DRAWING IS A CONTROLLED DOCUMENT.		DWN	S SCHLEGEL	7/17/07	Tyco Electronics Corporation Harrisburg, PA 17105-3608		
DIMENSIONS: mm		CHK	C RICHARD	7/17/07			
TOLERANCES UNLESS OTHERWISE SPECIFIED:		APVD	C RICHARD	7/17/07	NAME		
0 PLC ± -		PRODUCT SPEC		2.54mm SCREWLESS TERMINAL BLOCK			
1 PLC ± 0.3		APPLICATION SPEC		-			
2 PLC ± 0.10		SIZE	A3	CAGE CODE	00779	DRAWING NO	C-1986220
3 PLC ± -		RESTRICTED TO		-			
4 PLC ± -		WEIGHT	-				
ANGLES ± 1°		CUSTOMER DRAWING					
FINISH		SCALE NTS					
MATERIAL		SHEET 1 OF 1				REV 2	

单击下面可查看定价，库存，交付和生命周期等信息

[>>TE Connectivity\(泰科\)](#)