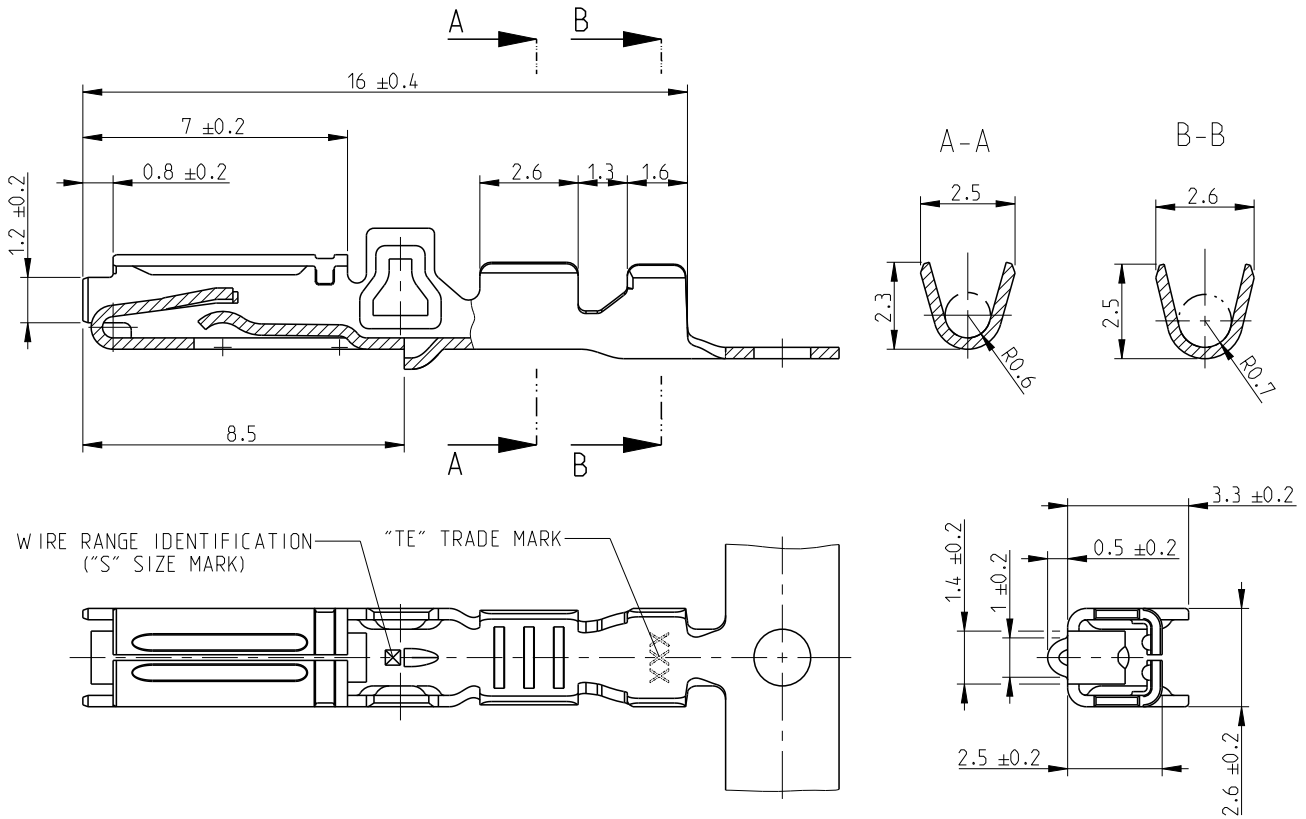


REVISIONS					
P	LTR	DESCRIPTION	DATE	DWN	APVD
	A4	Redrawn to Creo	08MAR2017	JJH	JP



1. DELIVERY STATE: ITEM IS SUPPLIED REELED ON CARTON REEL WITH STRIP PITCH = 11.9±0.2mm  
 STATO DI FORNITURA: AVVOLTI SU BOBINA CON PASSO TRA TERMINALI DI = 11.9±0.2mm

CUSTOMER DRAWING FOR INFORMATION ONLY  
 DISEGNO PER CLIENTE SOLO PER RIFERIMENTO

THIS DRAWING IS UNPUBLISHED. BY - ALL RIGHTS RESERVED. COPYRIGHT 20



INS. DIA. RANGE (DIAM. ISOLANTE)	WIRE RANGE (RANGO FILO)
∅1.4 - 1.7mm	0.35 - 0.5mm <sup>2</sup>

PRE-TIN (PRE-STAGNATO)	BRONZO FOSF. (PHOS. BRONZE)	284087-2
PRE-TIN (PRE-STAGNATO)	BRASS (OTTONE)	284087-1
FINISH/COLOUR (FINITURE/COLORE)	MATERIAL (MATERIALE)	PART NUMBER

DIMENSIONS: mm	DWN O. CANUTO 15DEC 1997	MATERIAL	FINISH
TOLERANCES UNLESS OTHERWISE SPECIFIED: ±0.3	CHK A. BRUNI 15DEC 1997	<b>TE</b> TE Connectivity	
APVD -	PRODUCT SPEC 108-20175		
PLC 1 ± PLC 2 ± PLC 3 ± PLC 4 ±	APVD -	NAME MULTILOCK .070 SRS REC. CONTACT FOR NEW GENERATION CONNECTOR	
ANGLES ±2°	APPLICATION SPEC 114-20098	SIZE A4	CAGE CODE -
	WEIGHT -	DRAWING NO C=284087	RESTRICTED TO -
CUSTOMER DRAWING		SCALE 5:1	SHEET 1 OF 1
			REV A4

单击下面可查看定价，库存，交付和生命周期等信息

[>>TE Connectivity\(泰科\)](#)