

THIS DRAWING IS UNPUBLISHED.

RELEASED FOR PUBLICATION

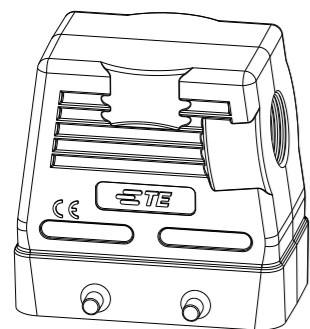
20

© COPYRIGHT 20 BY -

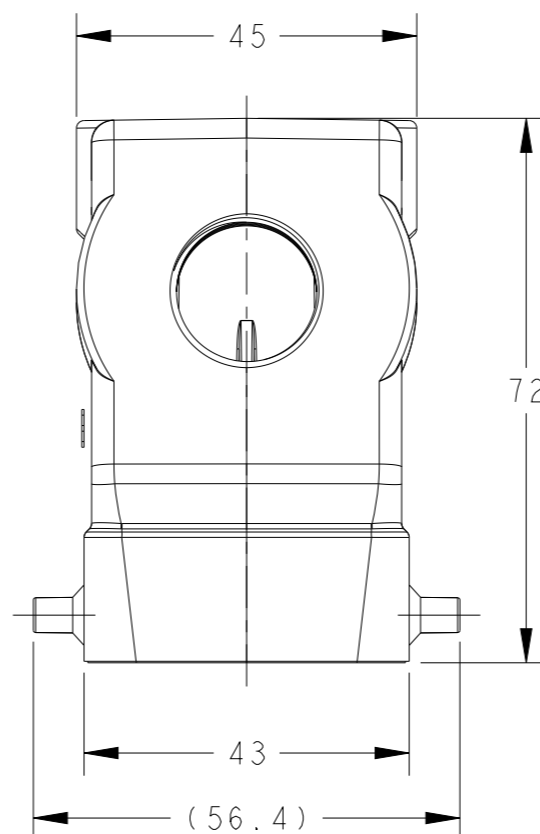
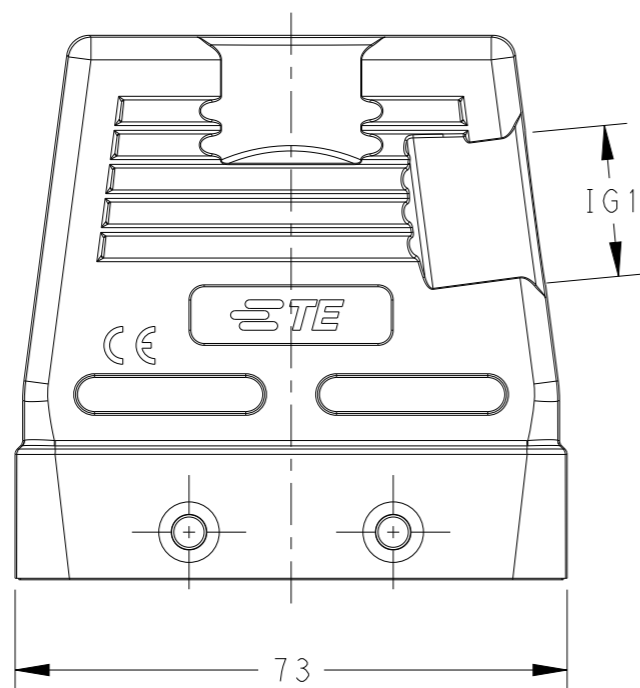
ALL RIGHTS RESERVED.

REVISIONS

P	LTR	DESCRIPTION	DATE	DWN	APVD
	A	INITIAL	11JUN2015	DW	CW
	B	ECR-20-008181	28JUN2020	WQR	CW
	B1	ECR-21-103925	28MAY2021	WQR	CW



SCALE 1:2

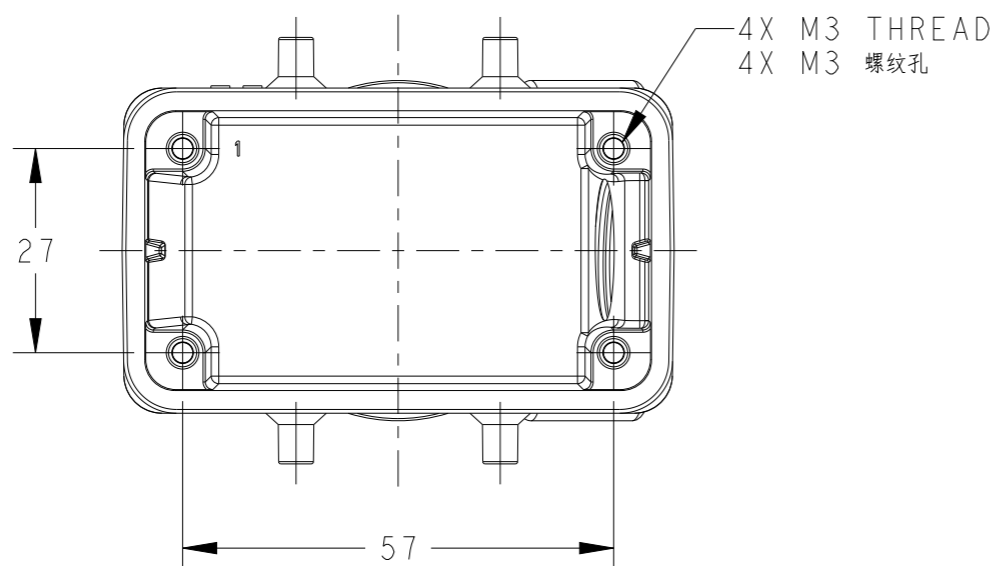


NOTES:

- 1. TECHNICAL CHARACTERISTICS:
HOOD MATERIAL: DIE CAST ALUMINIUM ALLOY
SURFACE: POWDER COATED, GREY
DEGREE OF PROTECTION: IP65 (MATED)

注释:

- 1. 技术参数:
上壳材料: 铝合金
表面处理: 粉末涂层, 灰色
防护等级: IP65(配合)



T1230100116-000	H10B-TSH-PG16	HIGH CONSTRUCTION	PG16
T1230100120-000	H10B-TSH-M20		M20
T1230100121-000	H10B-TSH-PG21		PG21
T1230100125-000	H10B-TSH-M25		M25
T1230100129-000	H10B-TSH-PG29		PG29
T1230100132-000	H10B-TSH-M32		M32
T1230100140-000	H10B-TSH-M40		M40
PART NUMBER	DESCRIPTION	TYPE	IG1

THIS DRAWING IS A CONTROLLED DOCUMENT.		DWN 11JUN2015 David Wang	TE Connectivity NAME H10B-TSH-M/PG				
DIMENSIONS: mm		CHK 11JUN2015 Chris Wang					
TOLERANCES UNLESS OTHERWISE SPECIFIED:		APVD 11JUN2015 Xiang Xu					
0 PLC ±- 1 PLC ±- 2 PLC ±- 3 PLC ±- 4 PLC ±- ANGLES ±-		PRODUCT SPEC 108-137013					
MATERIAL		APPLICATION SPEC 114-137013	SIZE A3	CAGE CODE 00779	DRAWING NO. T12301001XX000	RESTRICTED TO	
		WEIGHT -	Customer Drawing		SCALE 1:1	SHEET 1 OF 1	REV B1

单击下面可查看定价，库存，交付和生命周期等信息

[>>TE Connectivity\(泰科\)](#)