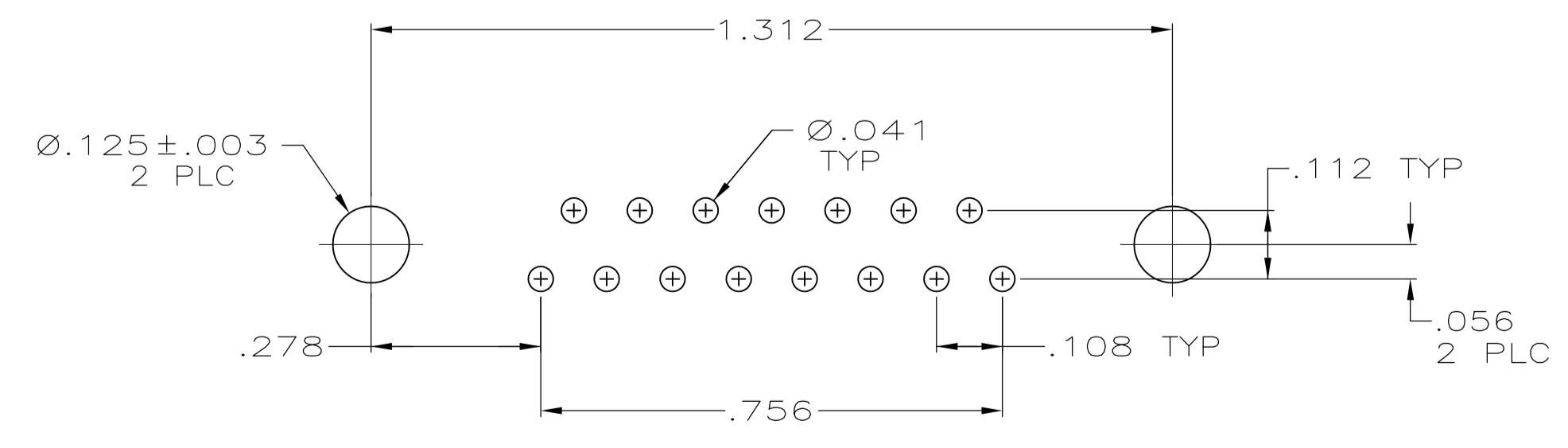
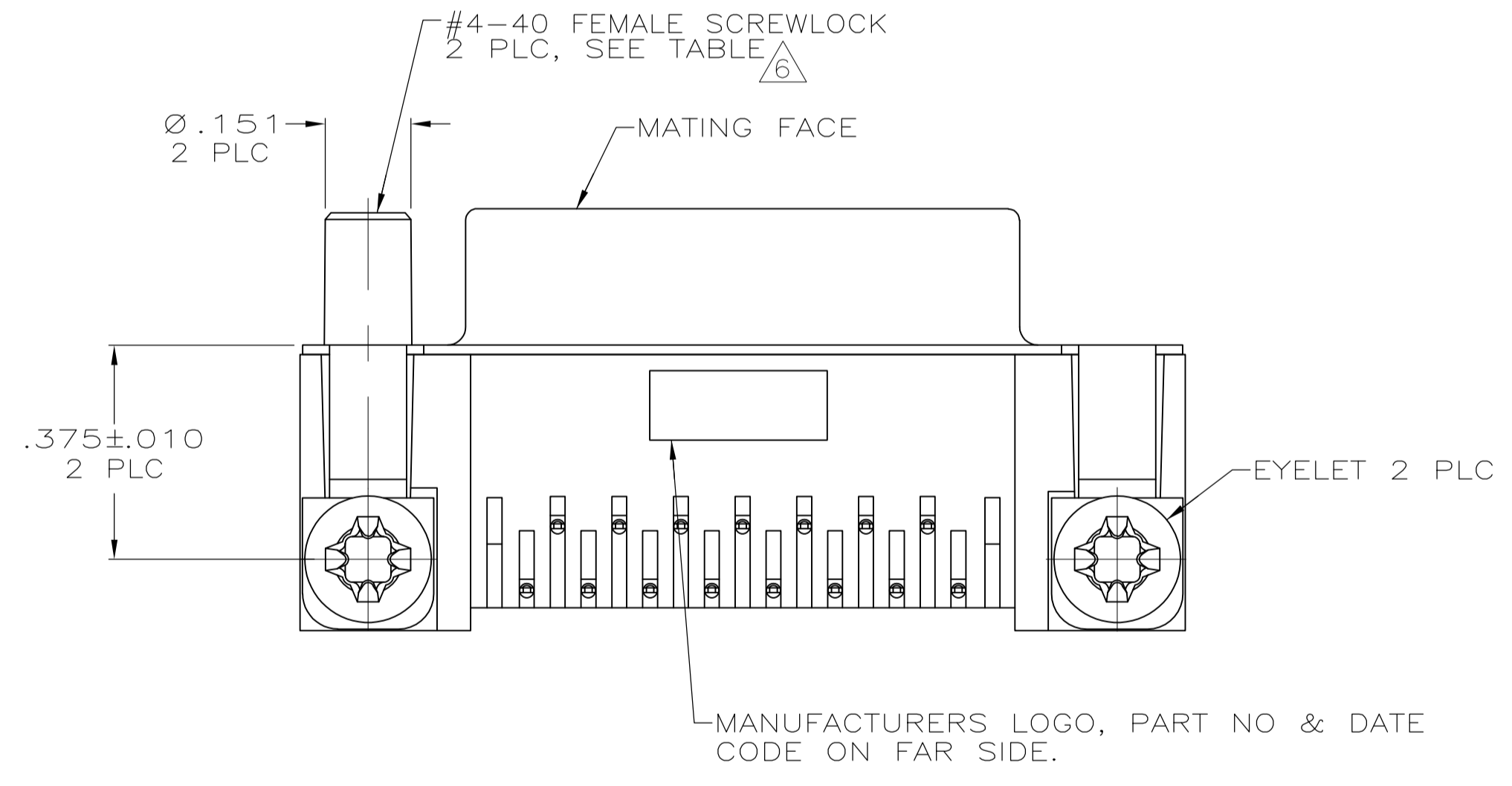
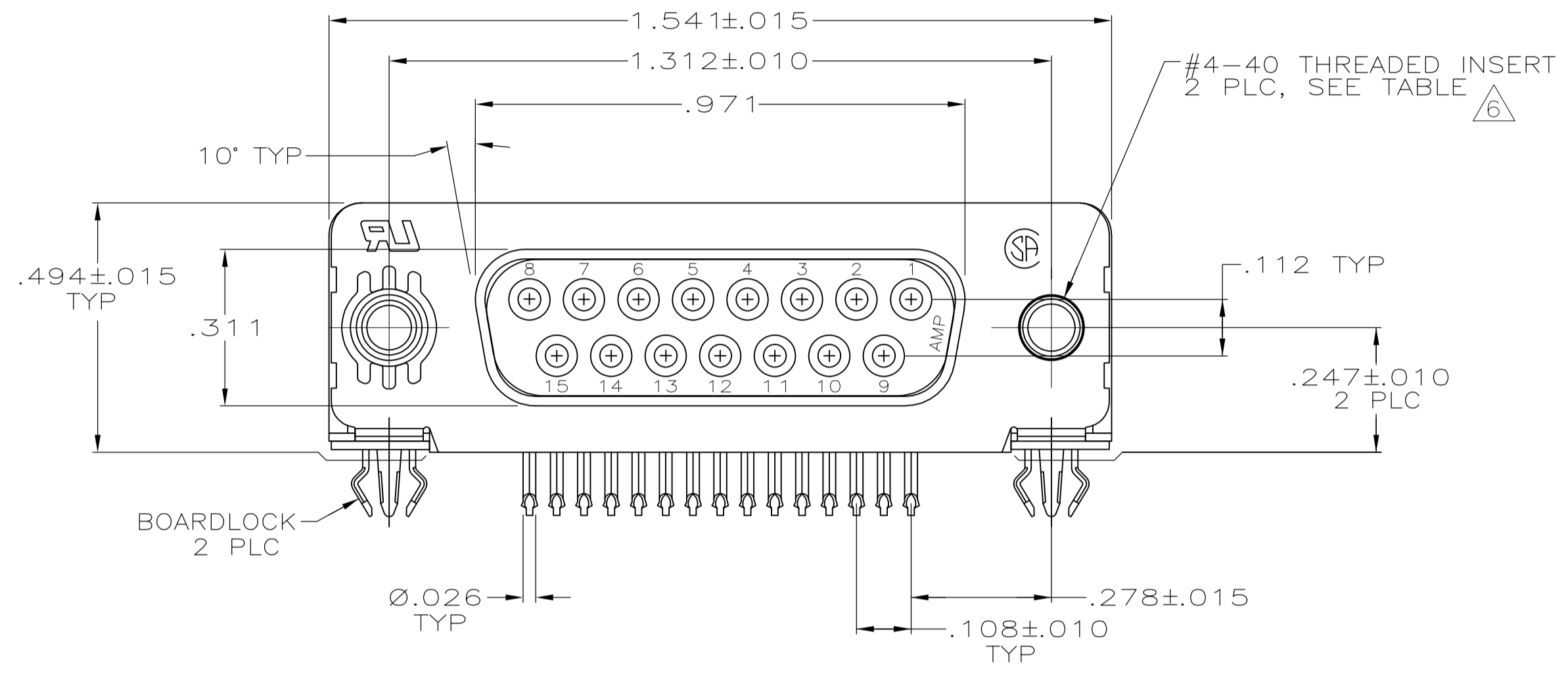


LOC		DIST		REVISIONS			
P	LTR	DATE	DESCRIPTION	DATE	DMN	APVD	
A2	REVISED PER	ECO-11-004835		11MAR11	RK	HMR	



PC BOARD MOUNTING DIMENSIONS

1. CONNECTOR MATES WITH ANY 25 POSN PLUG IN AMPLIMITE SERIES.
2. MOLDED PARTS: FLAME RETARDANT 94V-0 RATED THERMOPLASTIC, BLACK. SHELL: CARBON STEEL. CONTACTS: PHOSPHOR BRONZE. EYELETS: BRASS. SCREWLOCKS: ZINC. INSERTS: ZINC. BOARDLOCKS: COPPER ALLOY.
3. SHELL: .000100 MIN TIN OVER .000050 MIN COPPER. CONTACTS: SEE TABLE. EYELETS: .000100 MIN TIN OVER COPPER FLASH. BOARDLOCKS: .000150 MIN TIN OVER .000050 MIN NICKEL. INSERTS AND SCREWLOCKS: CLEAR CHROMATE.
4. GOLD FLASH FOR A DISTANCE OF .100 MIN FROM MATING END, .000100 MIN TIN ON TERMINATION END, ALL OVER .000050 MIN NICKEL ON ENTIRE CONTACT.
5. .000030 GOLD FOR A DISTANCE OF .100 MIN FROM MATING END, .000100 MIN TIN ON TERMINATION END, ALL OVER .000050 MIN NICKEL ON ENTIRE CONTACT.
6. SCREWLOCKS & INSERTS WILL WITHSTAND 6 IN-LBS TORQUE & 20 LBS PULL OUT FORCE FROM MATING FACE SIDE.
7. DIMENSION APPLIES FROM CENTER OF CONTACTS.
8. SPECIAL PACKAGING REQUIRED.
9. OBSOLETE PARTS: OBSOLETE CIS STREAMLINING PER D.RENAUD/D.SINISI

OBSOLETE	THREADED INSERTS	5	1-5747845-1
	FEMALE SCREWLOCKS	5	5747845-6
	FEMALE SCREWLOCKS	4	5747845-5
	THREADED INSERTS	5	5747845-4
OBSOLETE	THREADED INSERTS	4	5747845-3
	.125 DIA HOLES	5	5747845-2
MOUNTING HARDWARE		CONTACT FINISH	PART NUMBER

THIS DRAWING IS A CONTROLLED DOCUMENT.

DIMENSIONS: INCHES	TOLERANCES UNLESS OTHERWISE SPECIFIED:	DIN L VARELA - DOCKS 04-05-05	STE TE Connectivity
0 PLC ± -	1 PLC ± -	APVD S BOLASH 04-05-05	NAME M WALMSLEY
2 PLC ± -	3 PLC ± .005	SIZE 114-40010	PRODUCT SPEC 108-40025
4 PLC ± -	ANGLES ± °	WEIGHT -	APPLICATION SPEC
MATERIAL	FINISH	SIZE 114-40010	RESTRICTED TO
		WEIGHT -	SIZE CAGE CODE DRAWING NO
		CUSTOMER DRAWING	A1 00779 5747845
		SCALE 4:1	SHEET 1 OF 1 REV A2

单击下面可查看定价，库存，交付和生命周期等信息

[>>TE Connectivity\(泰科\)](#)

[>>点击查看相关商品](#)