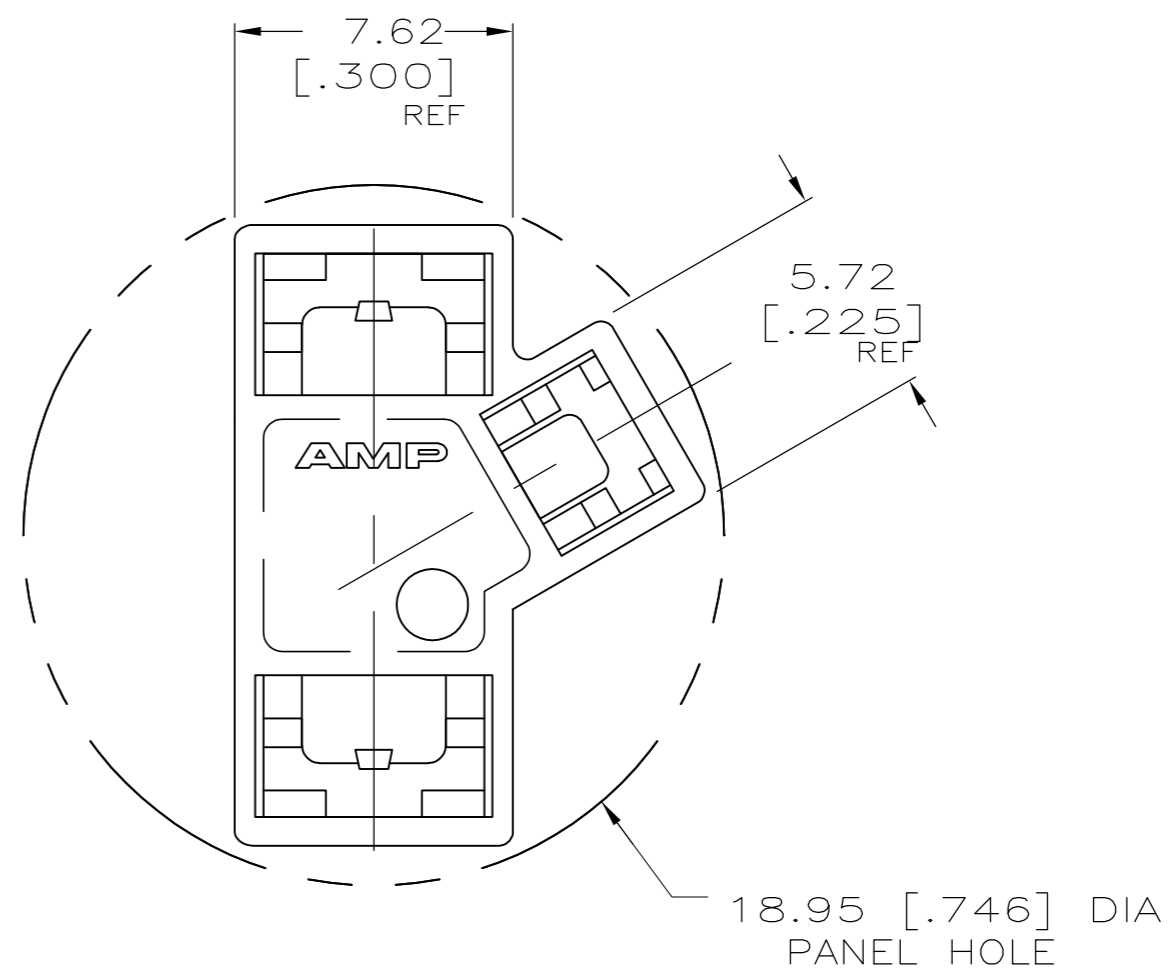
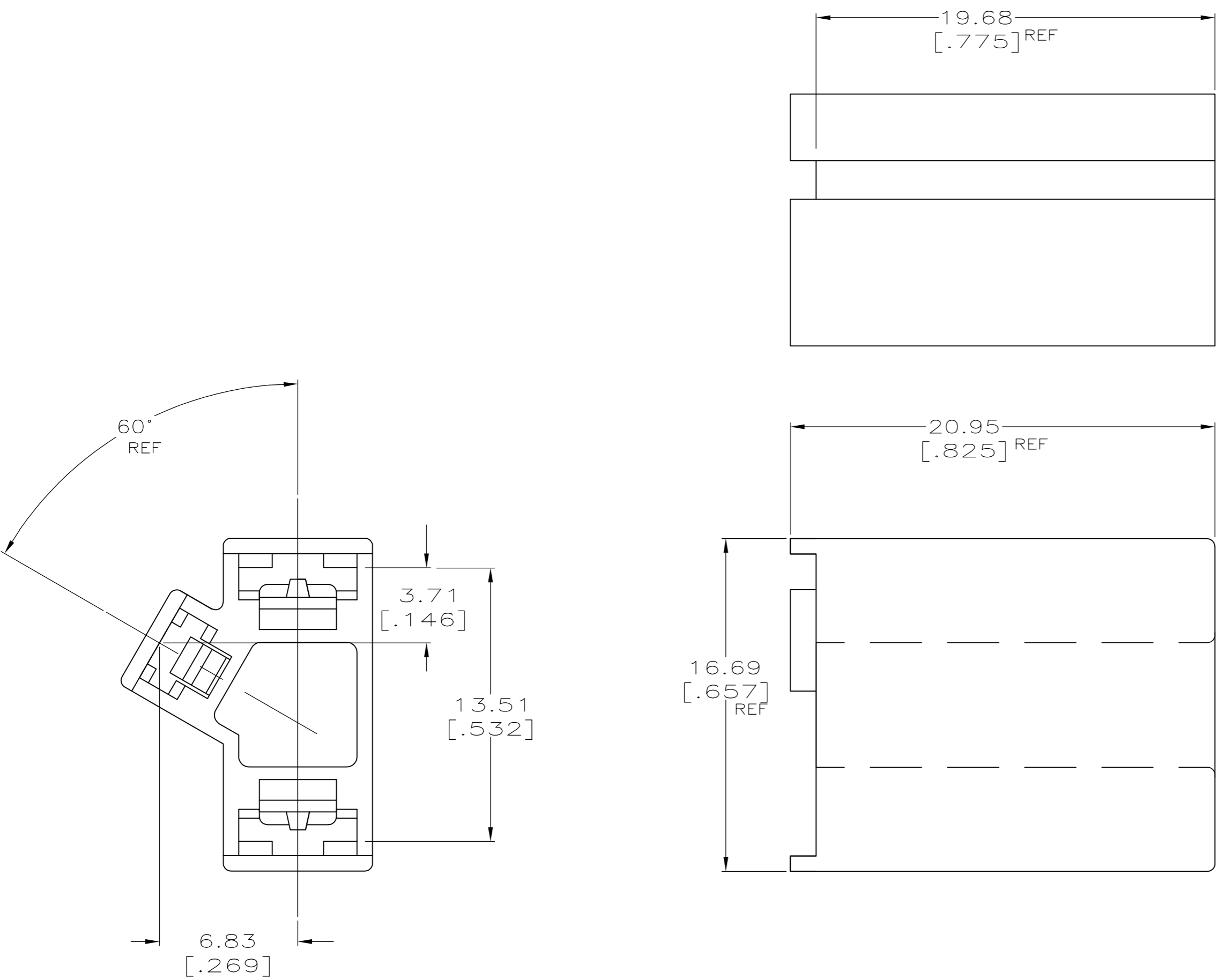


THIS DRAWING IS UNPUBLISHED. RELEASED FOR PUBLICATION
 © COPYRIGHT - By - ALL RIGHTS RESERVED.

LOC	DIST	REVISIONS			
P	LTR	DESCRIPTION	DATE	DWN	APVD
AF	50	F1	REV PER ECO 12-019158	31OCT12	JR PD

1 PRELIMINARY - NOT FOR PRODUCTION



6 NYLON, V0, 150°C	1 520978-3
4/6 NYLON 150°C	520978-2
6/6 NYLON	520978-1
MATERIAL	PART NO.

THIS DRAWING IS A CONTROLLED DOCUMENT.		DWN	JR RUTH	10/2/90	 TE Connectivity
DIMENSIONS: MM [INCHES]		CHK	MS FEHER	10/2/90	
TOLERANCES UNLESS OTHERWISE SPECIFIED:		APVD	C MEYERS	10/2/90	
0 PLC ± - 1 PLC ± - 2 PLC ± - 3 PLC ± 0.25 [.010] 4 PLC ± - ANGLES ± -		PRODUCT SPEC		NAME	
MATERIAL	SEE TABLE	FINISH	NATURAL	WEIGHT	-
CUSTOMER DRAWING		SCALE	5:1	SHEET	1 of 1
SCALE		5:1	SHEET		1 of 1
REV		F1	RESTRICTED TO		-

单击下面可查看定价，库存，交付和生命周期等信息

[>>TE Connectivity\(泰科\)](#)