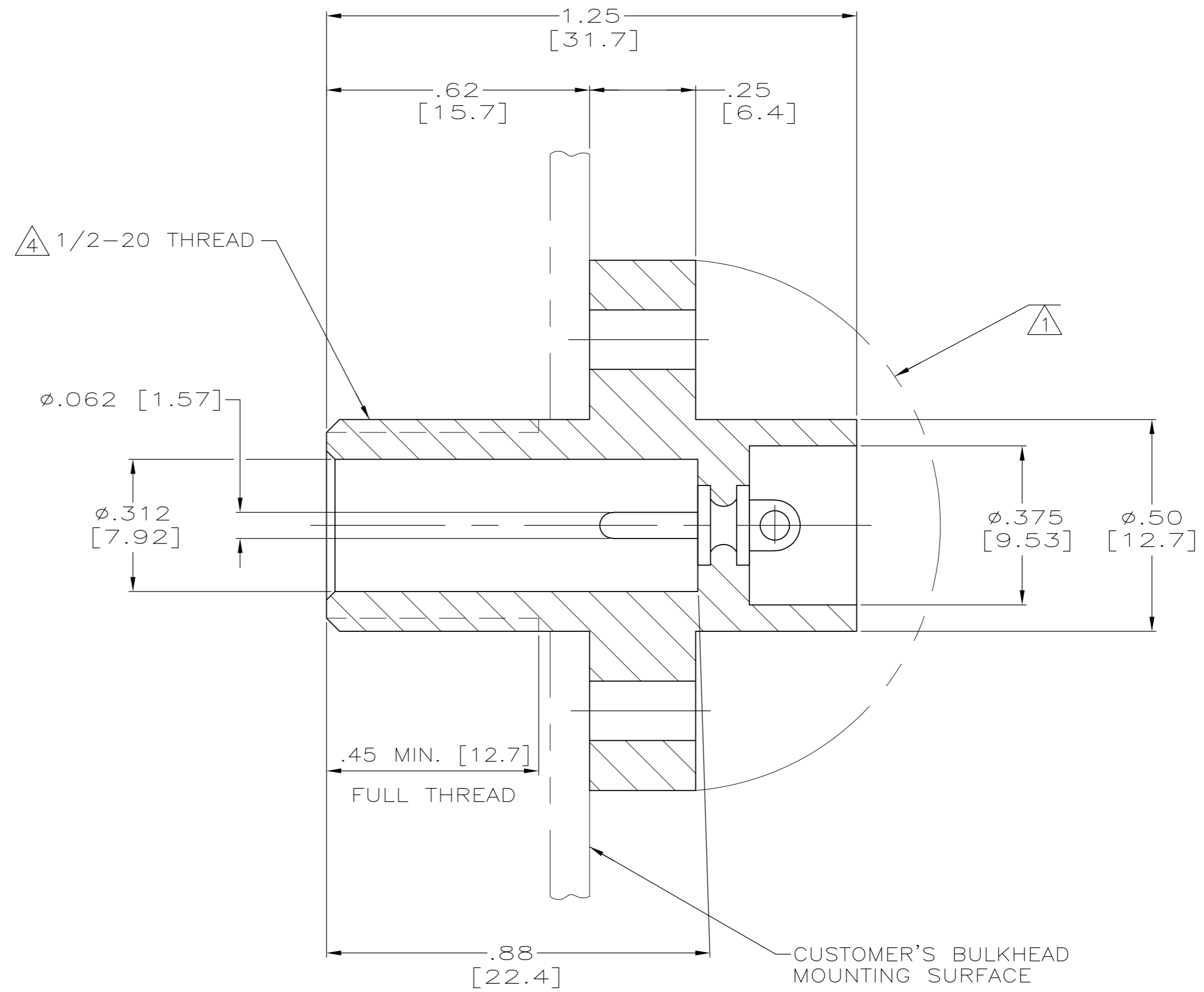
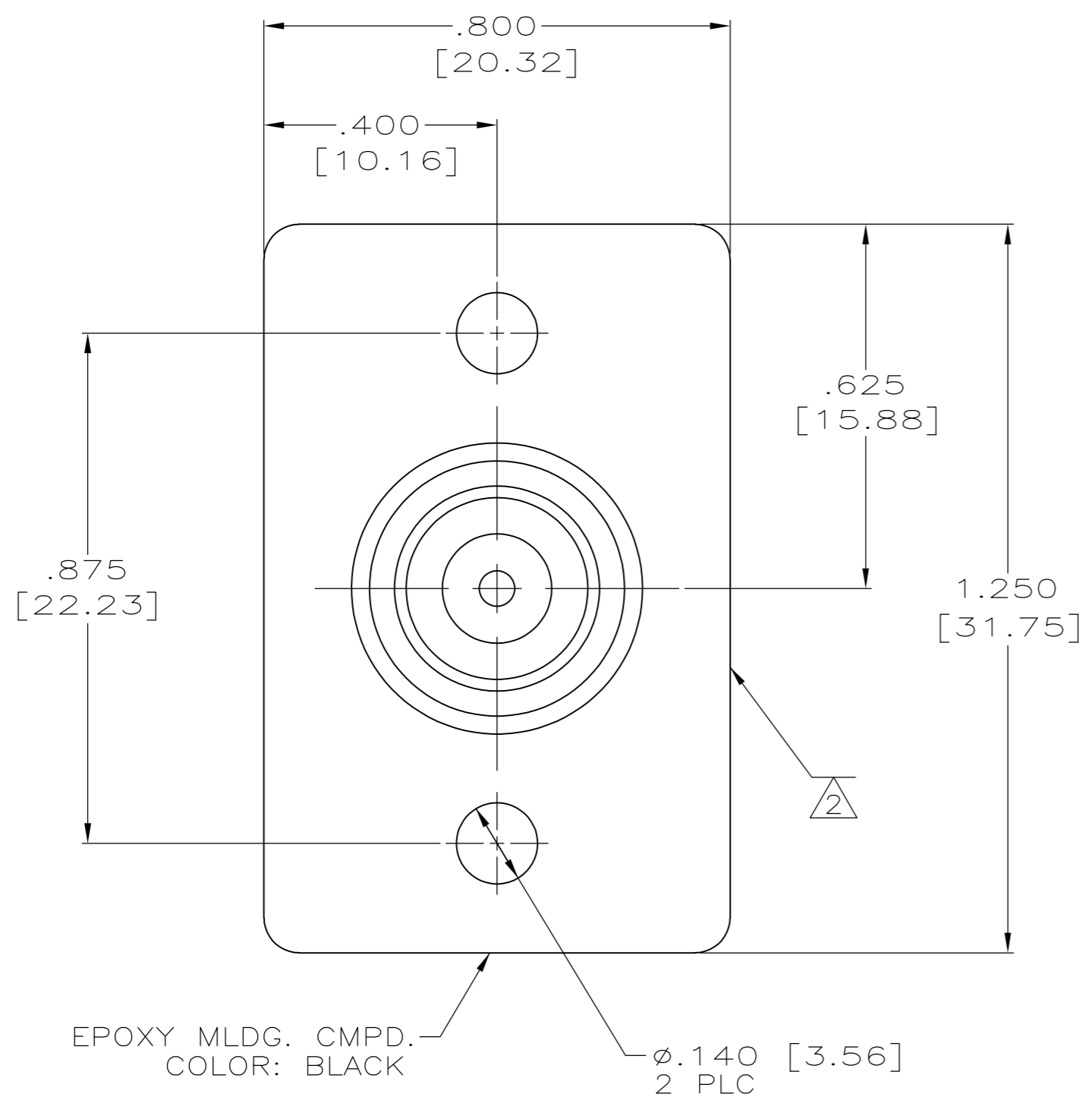


THIS DRAWING IS UNPUBLISHED. RELEASED FOR PUBLICATION - N/A .
 © COPYRIGHT N/A BY TYCO ELECTRONICS CORPORATION. ALL INTERNATIONAL RIGHTS RESERVED.

LOC	DIST	REVISIONS					
DF	SO	P	LTR	DESCRIPTION	DATE	DWN	APVD
		C		REVISED PER ECO-09-010967	05JUN09	CT	DE



- ① CUSTOMER MUST PROTECT BACK END AGAINST ARC OVER & BREAKDOWN IF BULKHEAD & MOUNTING HARDWARE ARE METALLIC & AT GROUND POTENTIAL.
- ② MARKED PER MIL-STD-130.
- ③ -
- ④ PER FEDERAL STANDARD H-28, 3 WIRE METHOD. DIMENSION OVER WIRES TO BE .497-.510 [12.62-12.95].
- 5. RECEPTACLE TO MATE WITH ANY AMP LGH-1 LEAD ASSY.

RCPT ASSY (TIN PLATED PIN)	5-449690-1
RCPT ASSY (TIN-LEAD PLATED PIN)	449690-1
DESCRIPTION	PART NO.

THIS DRAWING IS A CONTROLLED DOCUMENT.		DWN C.C.THOMAS 10-SEP-93	Tyco Electronics Corporation Harrisburg, Pa 17105-3608	
DIMENSIONS: INCHES		CHK S.GLATFELTER 13-SEP-93	NAME BULKHEAD RCPT ASSY LGH-1	
TOLERANCES UNLESS OTHERWISE SPECIFIED:		APVD S.GLATFELTER 13-SEP-93	SIZE A2 CAGE CODE 00779 C=449690	
0 PLC ± -		PRODUCT SPEC -	DRAWING NO -	
1 PLC ± -		APPLICATION SPEC -	RESTRICTED TO -	
2 PLC ± .02[0.5]		WEIGHT -	SCALE 4:1 SHEET 1 of 1 REV C	
3 PLC ± .005[0.13]		CUSTOMER DRAWING		
4 PLC ± -				
ANGLES ± -				
FINISH -				

单击下面可查看定价，库存，交付和生命周期等信息

[>>TE Connectivity\(泰科\)](#)