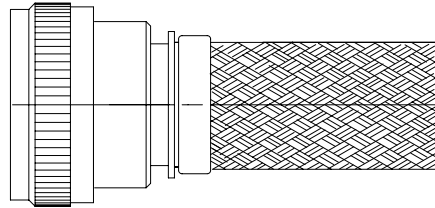


REVISIONS			
LTR	DESCRIPTION	DATE	APPROVED
K	REVISED PER ECN AD93032		



CODE 61, SHIELDED STRAIGHT ADAPTER

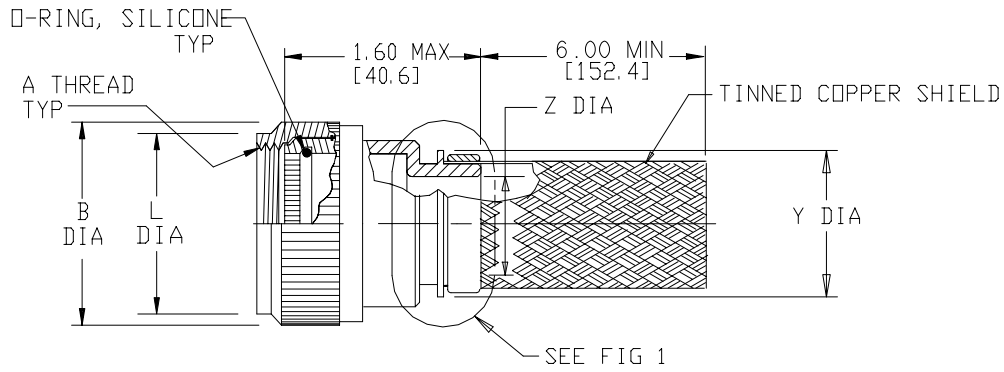
NOTES:

1. THIS PRODUCT IS DESIGNED TO TERMINATE A HEAT SHRINKABLE LIPPED BOOT TO A CONNECTOR.
2. FOR ADDITIONAL DIMENSIONS, ORDERING INFORMATION AND MODIFICATIONS, SEE CH00-0250-004.
3. ADAPTER TO BE PERMANENTLY MARKED WITH CODE IDENT. NO. AND PART NO. (E. G.: 06090-205M014-19B10).
- ④ FOR LARGER ENTRY SIZES, A 2 PIECE ADAPTER (TYPE II) IS SUPPLIED.
- ⑤ BRAID TERMINATION RING MAY BE SUPPLIED AS TINEL-LOCK SHAPE MEMORY RING AT MANUFACTURER'S OPTION.
- ⑥ ADAPTER MATES TO MIL-C-81511, SERIES 1, 2, 3 & 4, CLASS A, C, E, F, P AND T. M81511/1, /5, /6, /21, /23, /25, /26, /31, /32, /33, /34, /35, /36, /37, /38, /45, /46, /49, /51, /53, /55 AND /56 CONNECTORS.

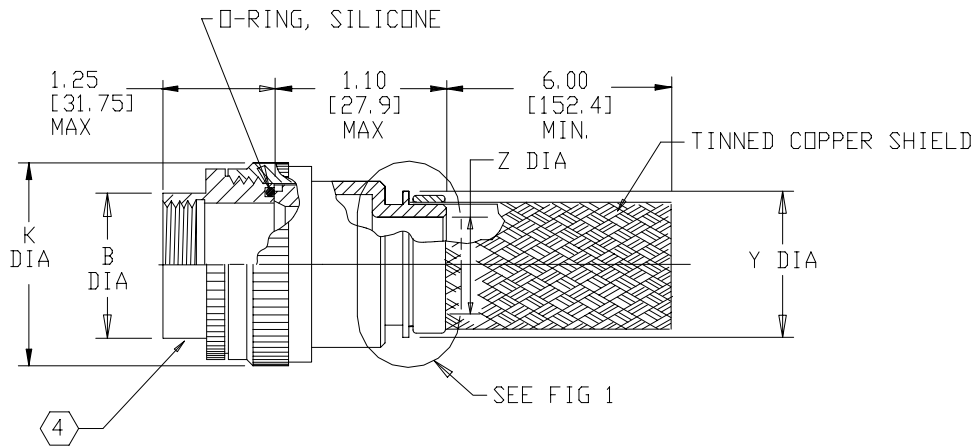
If this document is printed it becomes uncontrolled.
Check for the latest revision.

SPECIFICATION CONTROL DRAWING

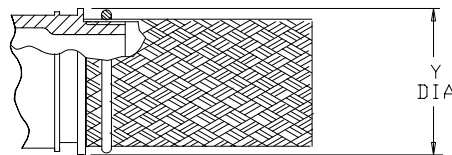
UNLESS OTHERWISE SPECIFIED DIMENSIONS ARE IN INCHES. METRIC DIMENSIONS ARE IN BRACKETS. DECIMALS .XXX ± — [mm] .XX ± — [mm] .X ± — [mm] ANGLES .X ± —	DRAWN E. GOLDY	DATE 07-09-93		Tyco Electronics Corporation 300 Constitution Drive Menlo Park, CA. 94025 U.S.A.		
	CHECKED	DATE				
	APPROVED	DATE	TITLE			
	APPROVED	DATE	ADAPTER, SHIELD, STRAIGHT CODE 61			
CAD NAME \ACAD12\205M0XX		SIZE	CODE IDENT. NO.	DWG. NO.	REV	
THIRD ANGLE PROJECTION		A	06090	205M0XX	K	
Downloaded From Oneyac.com		SHEET 1 OF 3		SHEET 1 OF 3		



STRAIGHT ADAPTER-TYPE I



STRAIGHT ADAPTER-TYPE II



TINEL-LOCK TERMINATION

FIG 1 (5)

If this document is printed it becomes uncontrolled.
Check for the latest revision.

SIZE	CODE	IDENT. NO.	DWG. NO.	REV
A	06	090	205M0XX	K
Downloaded From Oneyac.com			CAD NAME \ACAD12\205M0X-2	SHEET 2 OF 3

TABLE I

BASE PART NO.	SHELL SIZE $\text{\textcircled{6}}$		MAX ENTRY SIZE TYPE I $\text{\textcircled{4}}$	A THREAD CLASS 2B	B DIA MAX	L DIA MAX
	COML	MIL				
205M008	8	A	06	.500-28 UNEF	.86 [21.8]	.57 [14.5]
205M010	10	B	08	.625-28 UN	.98 [24.9]	.70 [17.8]
205M014	14	D	12	.875-28 UN	1.23 [31.2]	.95 [24.1]
205M016	16	E	14	1.000-28 UN	1.36 [34.5]	1.07 [27.2]
205M018	18	F	16	1.125-28 UN	1.48 [37.6]	1.20 [30.5]
205M020	20	G	18	1.250-28 UN	1.63 [41.4]	1.32 [33.5]
205M022	22	H	20	1.375-28 UN	1.73 [43.9]	1.45 [36.8]
205M024	24	J	22	1.500-28 UN	1.86 [47.2]	1.57 [39.9]

TABLE II

ENTRY SIZE	K MAX	Z $\pm .020$ [± 0.51]	Y DIA MIN
03	NA	.187 [4.75]	.393 [9.98]
04	NA	.250 [6.35]	.456 [11.58]
05	.80 [20.3]	.312 [7.92]	.515 [13.08]
06	.80 [20.3]	.375 [9.53]	.581 [14.76]
07	.92 [23.4]	.438 [11.13]	.643 [16.33]
08	.92 [23.4]	.500 [12.70]	.705 [17.91]
09	1.18 [30.0]	.562 [14.27]	.705 [17.91]
10	1.18 [30.0]	.625 [15.88]	.831 [21.11]
11	1.18 [30.0]	.688 [17.48]	.893 [22.68]
12	1.35 [34.3]	.750 [19.05]	.953 [24.21]
13	1.41 [35.8]	.812 [20.62]	.953 [24.21]
14	1.41 [35.8]	.875 [22.23]	1.081 [27.46]
15	1.60 [40.6]	.938 [23.83]	1.143 [29.03]
16	1.60 [40.6]	1.000 [25.40]	1.205 [30.61]
18	1.66 [42.2]	1.125 [28.58]	1.381 [35.08]
20	2.04 [51.8]	1.250 [31.75]	1.506 [38.25]
22	2.23 [56.6]	1.375 [34.93]	1.631 [41.43]
24	2.23 [56.6]	1.500 [38.10]	1.756 [44.60]
28	2.48 [63.0]	1.750 [44.45]	2.004 [50.90]

If this document is printed it becomes uncontrolled.
Check for the latest revision.

SIZE CODE IDENT. NO. DWG. NO.

A 06 090

205M0XX

REV

K

Downloaded From [Oneyac.com](http://www.Oneyac.com)

THIS DWG

CAD NAME \ACAD12\205M0X-3

SHEET 3 OF 3

单击下面可查看定价，库存，交付和生命周期等信息

[>>TE Connectivity\(泰科\)](#)