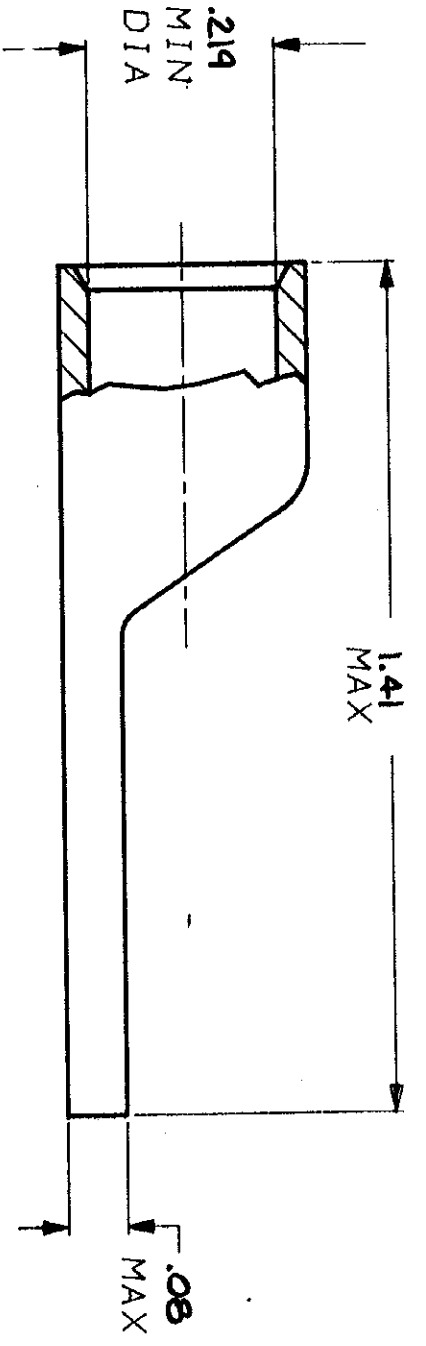
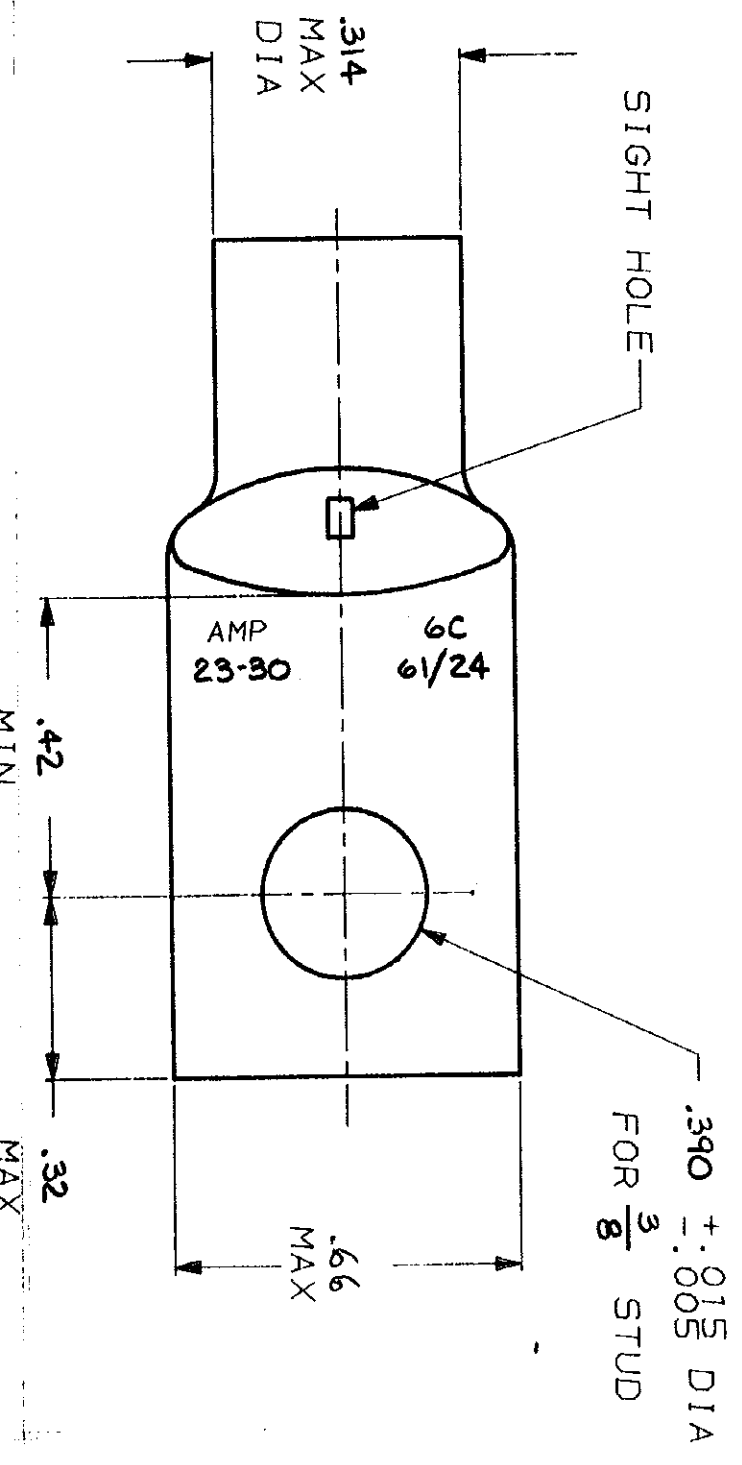


DRAWING MADE IN THIRD ANGLE PROJECTION
 THIS DRAWING IS UNPUBLISHED. RELEASED FOR PUBLICATION
 © COPYRIGHT 19 BY AMP INCORPORATED, HARRISBURG, PA. ALL INTERNATIONAL RIGHTS RESERVED. AMP PRODUCTS MAY BE COVERED BY U.S. AND FOREIGN PATENTS AND/OR PATENTS PENDING.

LOC 6
 DIST 86

REV	DESCRIPTION	DATE	APPROVED
✓	REV & REDRAWN PER G-2161	6/9/86	<i>[Signature]</i>
✓	REV PER G-5397	3/21/90	DKS



1. CIRCULAR MIL AREA RANGE: 20,800 - 33,100

REV	DESCRIPTION	DATE	APPROVED
✓	REV & REDRAWN PER G-2161	6/9/86	<i>[Signature]</i>
✓	REV PER G-5397	3/21/90	DKS

PART NO
328144

UNLESS OTHERWISE SPECIFIED DIMENSIONS ARE IN INCHES TOLERANCES ON: 2 PL DEC # - 3 PL DEC # - ANGLES # -		DR. WAREHAM 6/9/86	AMP	AMP INCORPORATED Harrisburg, Pa. 17105
MATERIAL ANNEALED COPPER ASTM B-152		CHK. <i>[Signature]</i> 6-10-86	NAME TERMINAL, AMPPOWER, WIRE SIZE: 6 AWG	
FINISH TIN PLATE .000150 MIN THK MIL-T-10727		APPRO. <i>[Signature]</i>	SIZE B	FSCM NO 00779
APPLICATION SPEC .014 LB		PRODUCT SPEC	SCALE NTS	DRAWING NO 328144
			SHEET 1 OF 1	

单击下面可查看定价，库存，交付和生命周期等信息

[>>TE Connectivity\(泰科\)](#)